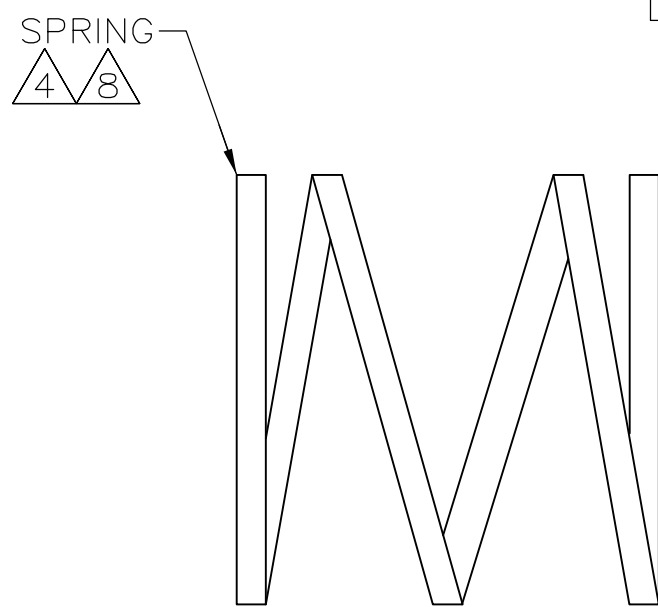
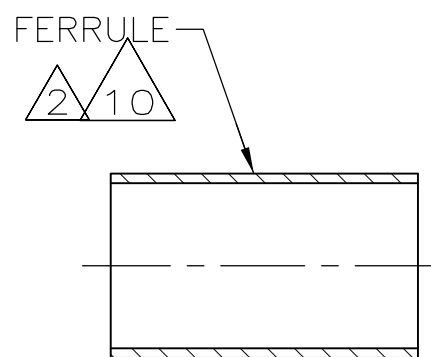
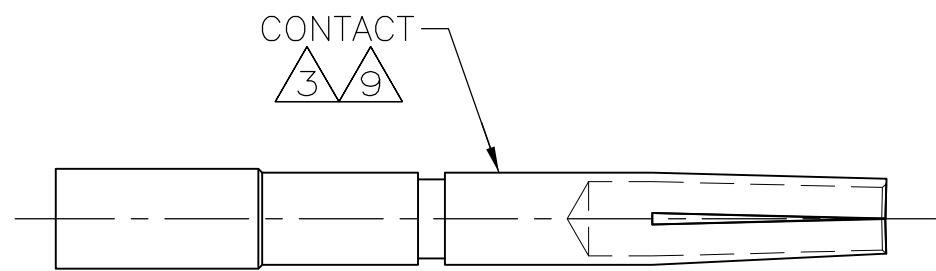
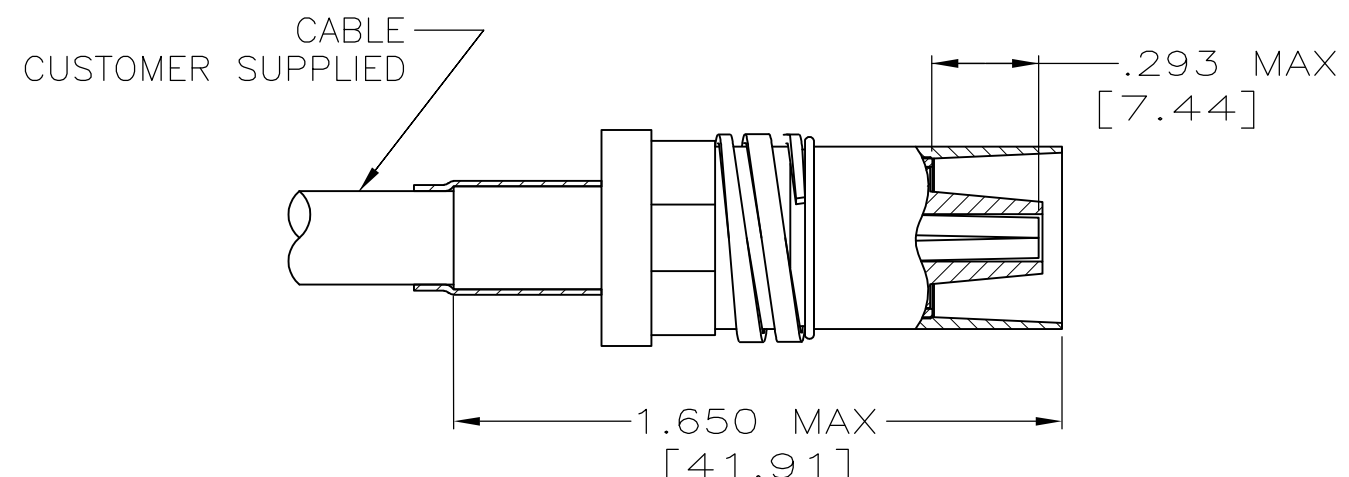
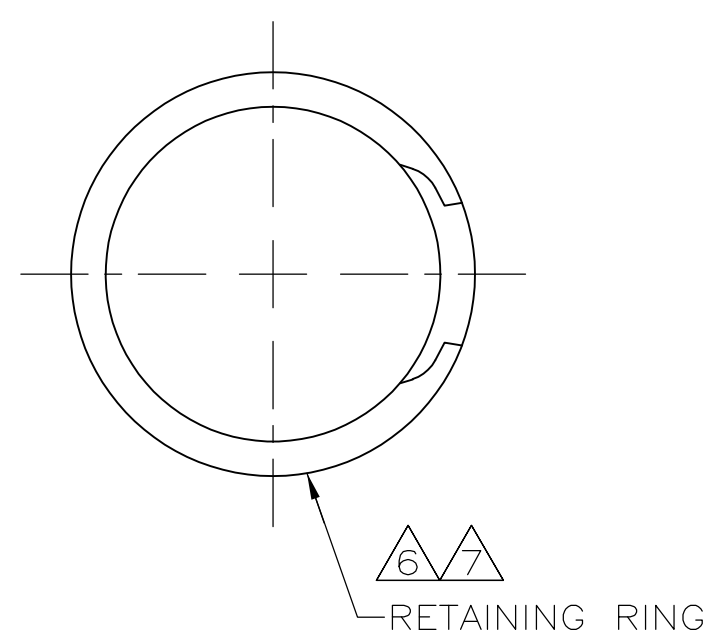
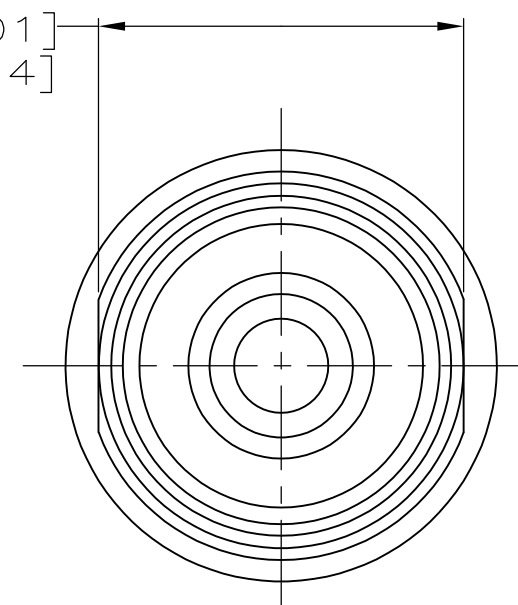
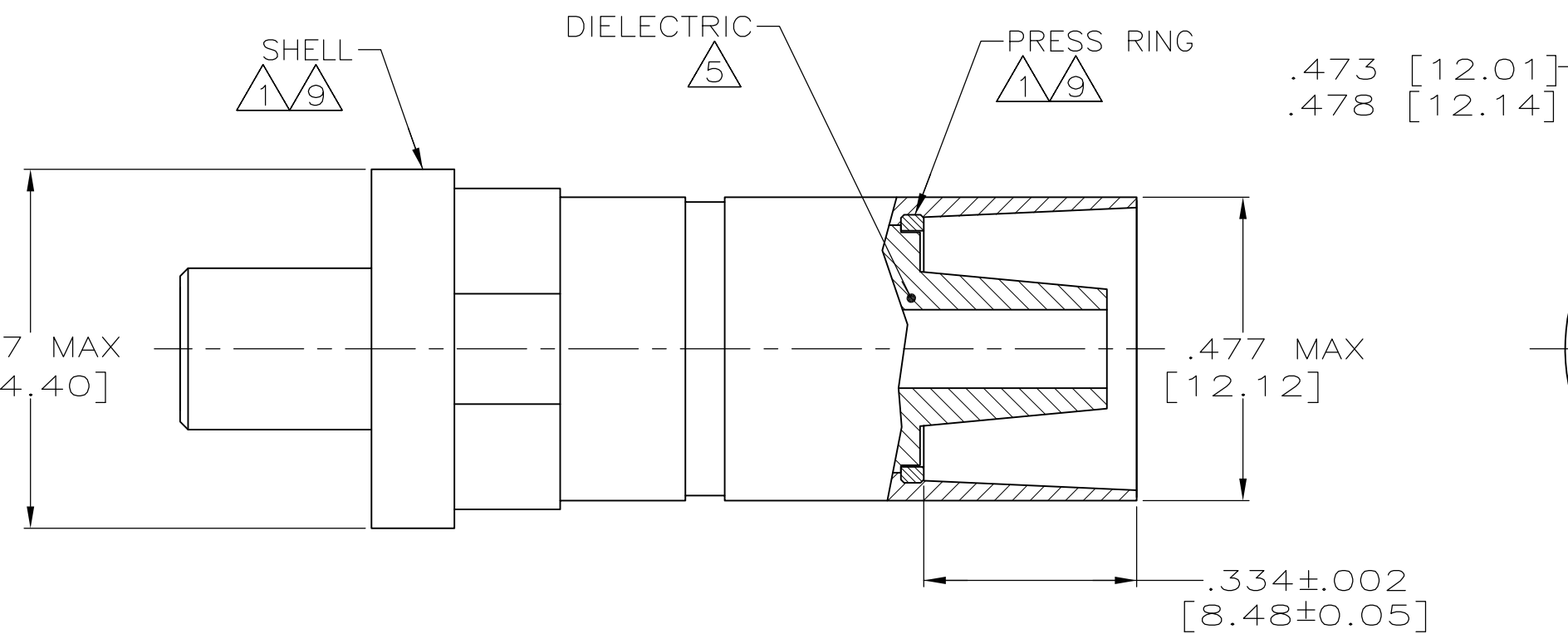


THIS DRAWING IS UNPUBLISHED. RELEASED FOR PUBLICATION
 © COPYRIGHT BY TYCO ELECTRONICS CORPORATION. ALL INTERNATIONAL RIGHTS RESERVED.

LOC	DIST	REVISIONS			
P	LTR	DESCRIPTION	DATE	DWN	APVD
DF	X0				
	B	REVISED PER ECO-09-006799	26-03-09	CT	RG



SHRINK TUBING



ASSEMBLED VIEW
SCALE 2:1

- 1 MAT'L: BRASS PER ASTM-B-16, 1/2 HARD.
- 2 MAT'L: COPPER PER ASTM-B-152.
- 3 MAT'L: BERYLLIUM COPPER PER ASTM-B-197.
- 4 MAT'L: MUSIC WIRE OIL TEMPER ASTM 226.
- 5 MAT'L: PTFE PER ASTM-D-1710.
- 6 MAT'L: STAINLESS STEEL PER QQ-S-766.
- 7 FINISH: PASSIVATED PER ASTM-A-380.
- 8 FINISH: CADMIUM PLATED PER QQ-P-416.
- 9 FINISH: GOLD PLATED PER MIL-G-45204 OVER NICKEL PER QQ-N-290.
- 10 FINISH: TIN-LEAD PLATED.

11. FOR USE WITH FC38Z CABLE.

446549-8
PART NO.

THIS DRAWING IS A CONTROLLED DOCUMENT.		DWN 11-8-94 C.C.THOMAS	Tyco Electronics Corporation Harrisburg, PA 17105-3608	
DIMENSIONS: INCHES		CHK 11-10-94 J.DUNBAR	NAME SOCKET KIT, SIZE 1, MODIFIED, RF	
TOLERANCES UNLESS OTHERWISE SPECIFIED:		APVD 11-10-94 J.DUNBAR	SIZE A2	
0 PLC ± -		PRODUCT SPEC	CAGE CODE 00779	DRAWING NO C=446549-8
1 PLC ± -		APPLICATION SPEC	RESTRICTED TO	
2 PLC ± -			SCALE 4:1	SHEET 1 of 1
3 PLC ± -			REV B	
4 PLC ± -				
ANGLES ± -				
MATERIAL SEE CALOUTS		FINISH SEE CALOUTS		
		WEIGHT -		
		CUSTOMER DRAWING		