

CUSTOMER PRINT

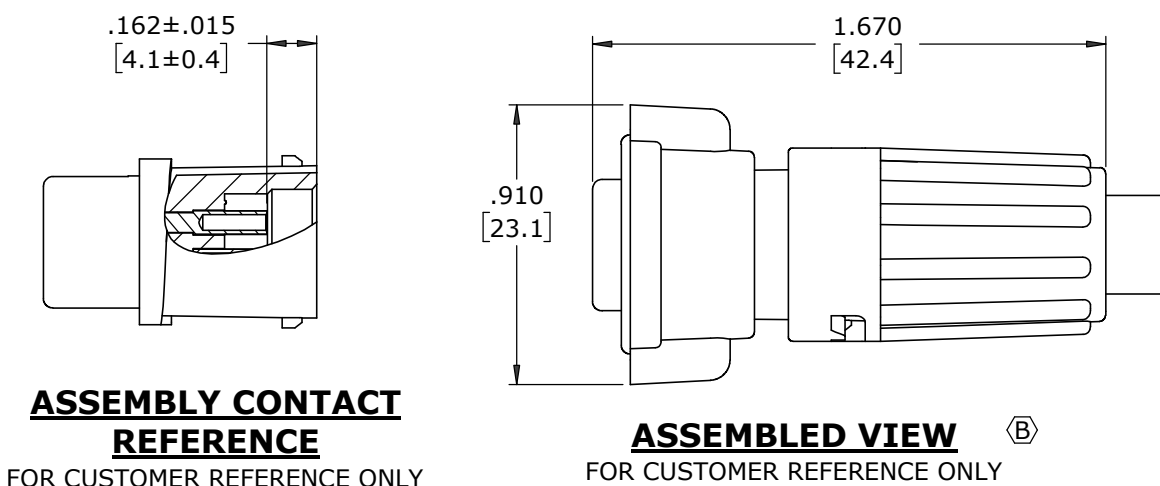
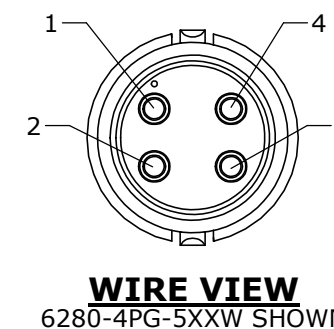
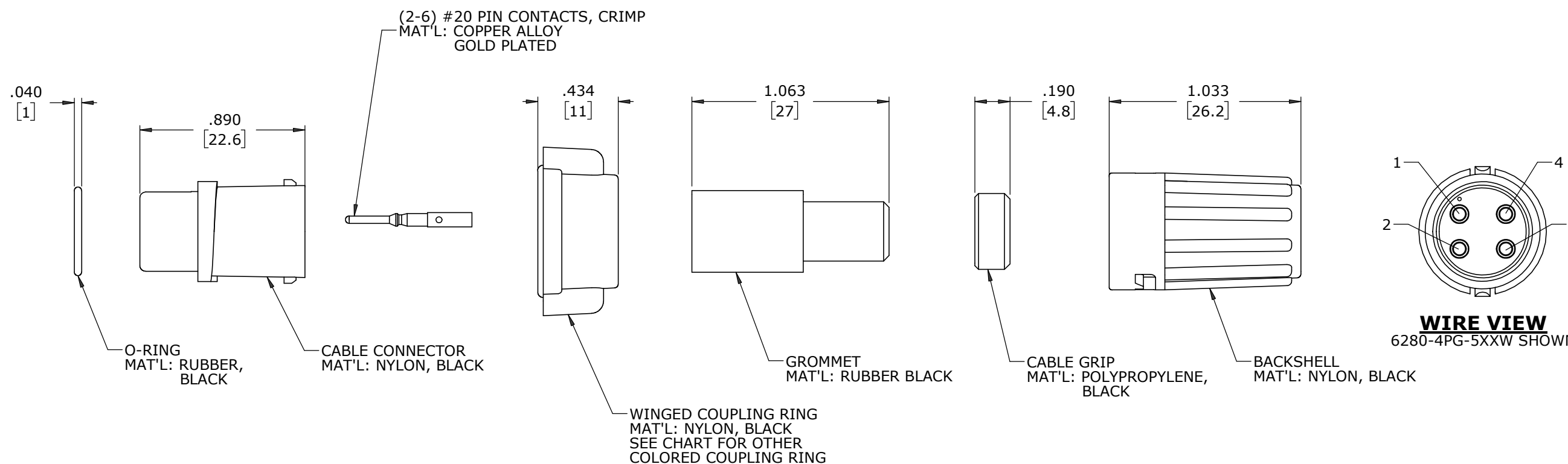
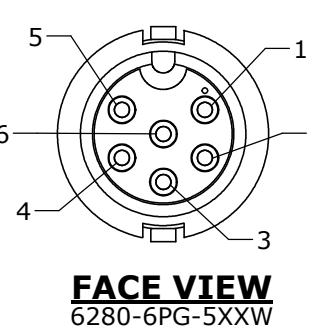
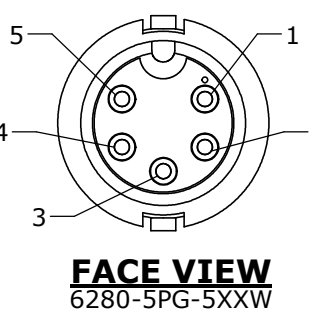
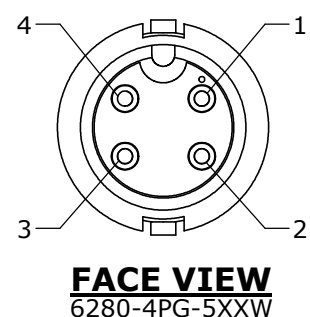
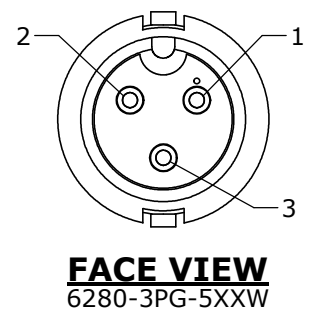
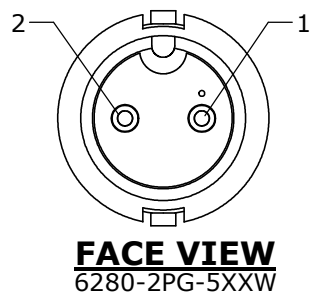
PART NUMBER: 6280-XPG-5XXW(CCX)

- NOTES:**  
 1. ALL PARTS TO BE BULK PACKED.  
 2. CONTACTS SHIPPED UNASSEMBLED.  
 3. ALL DIMENSIONS ARE REFERENCE EXCEPT THOSE WITH A TOLERANCE

ASS'Y P/N	COUPLING RING COLOR
6280-XPG-5XXWCC1	WHITE
6280-XPG-5XXWCC2	RED
6280-XPG-5XXWCC3	BLUE
6280-XPG-5XXWCC4	LIGHT GREY
6280-XPG-5XXWCC5	YELLOW
6280-XPG-5XXWCC6	MAROON
6280-XPG-5XXWCC7	GREEN

ASSY P/N	GROMMET SIZE
6280-XPG-513W	.148 GROMMET I.D. FOR CABLE O.D. .13-.15 [3.3-3.8mm]
6280-XPG-516W	.176 GROMMET I.D. FOR CABLE O.D. .16-.18 [4.1-4.6mm]
6280-XPG-519W	.206 GROMMET I.D. FOR CABLE O.D. .19-.21 [4.8-5.3mm]
6280-XPG-522W	.246 GROMMET I.D. FOR CABLE O.D. .22-.25 [5.6-6.3mm]
(B) 6280-XPG-526W	.265 GROMMET I.D. FOR CABLE O.D. .25-.27 [6.4-6.9mm]
(B) 6280-XPG-528W	.280 GROMMET I.D. FOR CABLE O.D. .26-.28 [6.6-7.1mm]

ASSY P/N	NO. OF CONTACTS
6280-2PG-5XXW	2 #20
6280-3PG-5XXW	3 #20
6280-4PG-5XXW	4 #20
6280-5PG-5XXW	5 #20
6280-6PG-5XXW	6 #20
6280-XPG-5XXW	



DIMENSIONS IN BRACKETS [ ] ARE IN MILLIMETERS

CUSTOMER APPROVAL			
B	MA	02-16-21	ADDED 6280-XPG-526W & 6280-XPG-528W TO CHART, ADDED ASSEMBLED VIEW PER ECR 9544
A	SS	05-14-19	DRAWING CREATED PER DOR 19-E149SL #6
REV.	INIT.	DATE	DESCRIPTION
	SS	05-14-19	ALL INFORMATION ILLUSTRATED IS THE PROPERTY OF CONXALL CORPORATION. UNAUTHORIZED DUPLICATION OR DISTRIBUTION OF THIS DOCUMENT IS PROHIBITED.
APPROVED BY: _____			<p>601 E. WILDWOOD VILLA PARK, IL 60181</p>
DATE: _____			
SCALE	SIZE	SHEET	TITLE
NTS	B	1 OF 1	CONNECTOR ASSEMBLY KIT (2-6) #20 PIN CONTACTS MINI-CON-X
FILE:	DIRECTORY:	PART NUMBER:	CUSTOMER:
6280-XPG-5XXW(CCX)	SLW	6280-XPG-5XXW(CCX)	STANDARD PRODUCT
			REV B

**RoHS COMPLIANT**