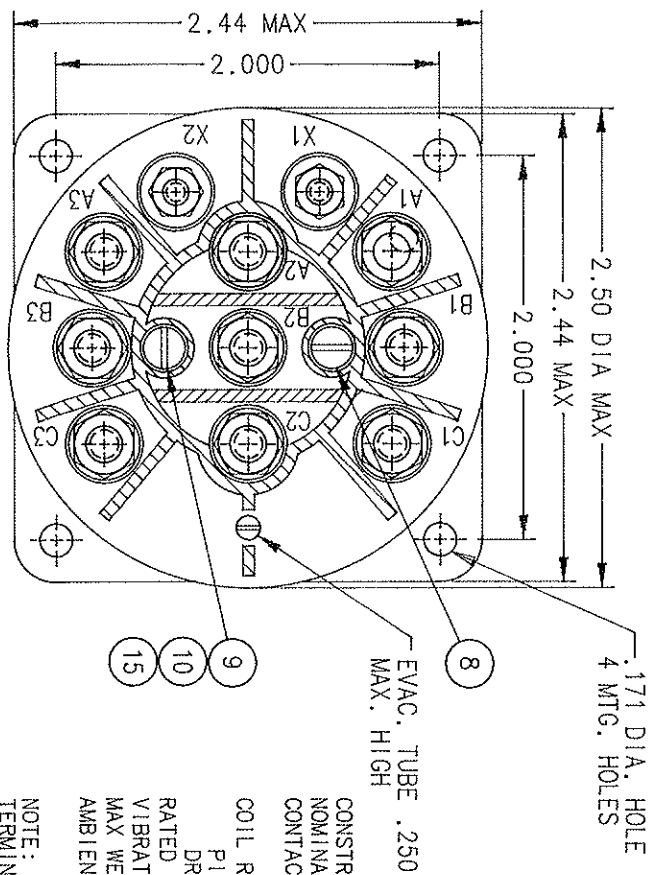


REV.	DESCRIPTION	DATE	APPROVED
T	32550 REDRAWN, REDIMENSIONED, FIND NOS 16 & 17 ADDED	97/04/03	[Signature]



171 DIA. HOLE
4 MTG. HOLES

8 EVAC. TUBE .250
MAX. HIGH

9 COIL RATING
PICKUP
DROPOUT
RATED DUTY
VIBRATION
MAX WEIGHT
AMBIENT TEMPERATURE

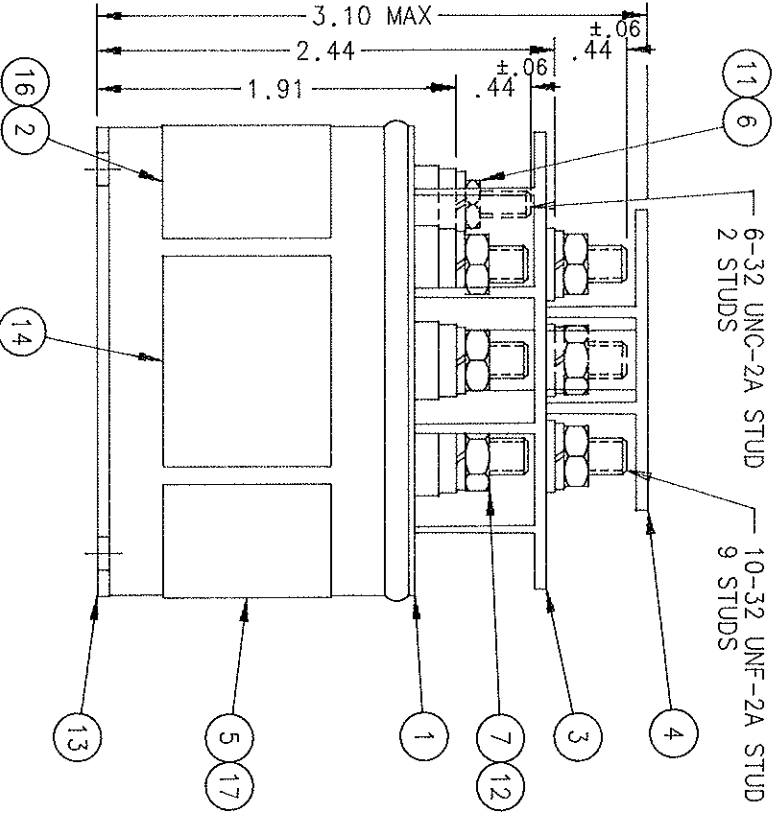
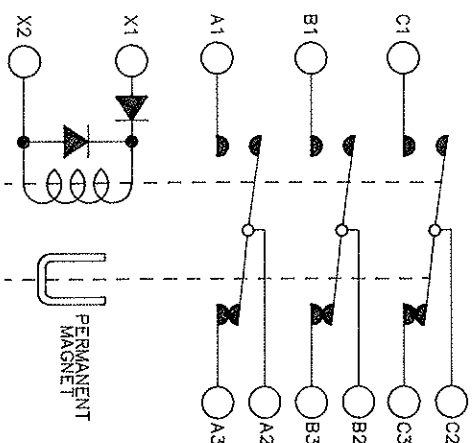
10
11
12

13
14
15
16
17

CONSTRUCTION
NOMINAL VOLTAGE
CONTACT RATING

HERMETICALLY SEALED
115 V, 400 HZ
50 A, 120/208 V 400 HZ
15 AMP, 28 VDC
115 V
90 V MAX HOT
45 V MAX HOT
CONTINUOUS
PROC 1, MIL-E-5272
14 OZ
-65°F TO 165°F

NOTE:
TERMINAL SHIELD IS NOTCHED FOR DRAINAGE.



FIND NO	QTY	PART OR IDENTIFYING NO	NOMENCLATURE OR DESCRIPTION	FSCAL NO	DRAWING OR SPECIFICATION	MATERIAL OR NOTE
17	1	39529-033	OVERLAY-WIRING DIAGRAM			
16	1	39529-001	OVERLAY-NAMEPLATE			
15	2	51701-180	WASHER 3/16 X .103 X .094			MYLAR
14	1	17959-001	PLATE-WARNING			
13	1	19659-010	CONTACTOR ASSEMBLY-PRIMARY			
12	9	51810-054	WASHER-LOCK #10 SPLIT TYPE			BRONZE
11	2	51806-014	WASHER-LOCK #6 SPLIT TYPE			BRONZE
10	2	51805-011	WASHER-LOCK #5 SPLIT TYPE			BRONZE
9	1	51205-391	SCREW 5-40 X 1 1/8 RD HD			BRASS
8	1	51205-591	SCREW 5-40 X 3/8 RD HD			BRASS
7	9	50410-054	NUT 10-32 X 5/16 X 9/64 HEX			BRASS
6	2	50406-034	NUT 6-32 X 1/4 X 5/64 HEX			BRASS
5	1	17384-001	PLATE-WIRING DIAGRAM			
4	1	15553-001	SHIELD-TERMINAL			
3	1	13549-001	SHIELD-TERMINAL			
2	1	16043-001	PLATE-NAME			
1	1	13537-027	PLATE-BASE COVER			

2 PL DECALS PL DEC LANCES
.03 ±.010 ±.1

UNLESS OTHERWISE SPECIFIED
DIMENSIONS ARE IN INCHES
TOLERANCES IN

DR BY RLS 97/04/21
CHK BY TCS 97/04/23
ENGR BY [Signature] 97/04/24
MFG BY [Signature] 97/04/24

RELEASE
CONTR NO.
C 74063

HARTMAN ELECTRICAL MANUFACTURING
MANSFIELD, OHIO

CONTACTOR-3PDT
HERMETICALLY SEALED

093

SCALE NONE

SHEET