

C93, 320 – 460 VAC/400 – 600 VDC, for PFC & AC Filter

Overview

The C93 capacitor is a polypropylene metallized film capacitor with a cylindrical, aluminium can-type design filled with oil. It uses double faston terminals, a plastic insulator, and an overpressure safety device.

Applications

Typical applications include power factor correction and AC harmonic filtering.

Benefits

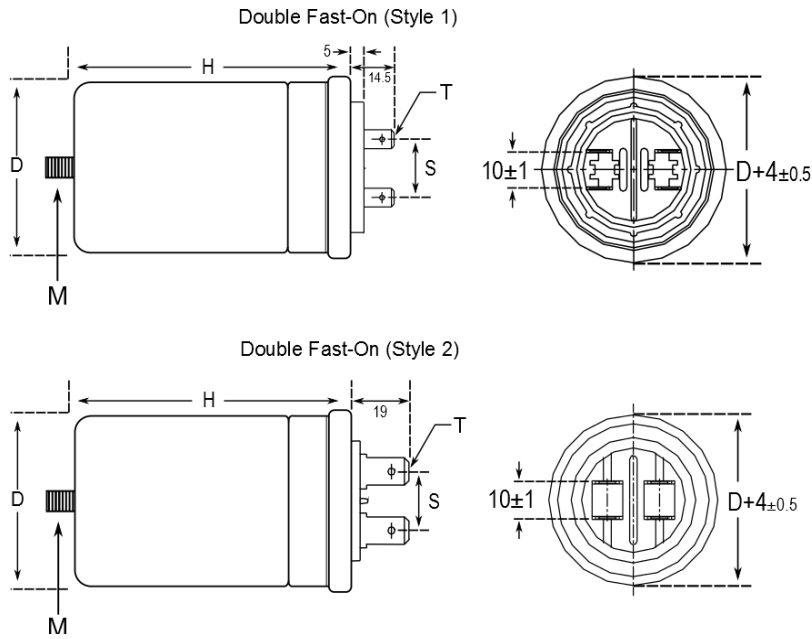
- Overpressure safety device
- High peak current capability
- Useful for PFC bank applications
- Self-healing



Part Number System

C93	0	Z	G	3	5500	ZA0	X
Series	Rated Voltage (VAC)	Internal Code	Case and Mounting	Terminal Style	Capacitance Code (pF)	Internal Code	Tolerance
C93 = Single Phase Power Factor Correction Capacitors	0 = 320 1 = 415 3 = 460	Z = Standard	G = Cylindrical aluminum case with M12 bolt	3 = Double fasten	Digits 2 – 4 indicate the first three digits of the capacitance value. First digit indicates the number of zeros to be added.	ZA0, RA0 and RS0 = Standard	X = -5/+15%

Dimensions – Millimeters



Style	D	H	S	Terminations (T)	Mounting Stud (M)
	±0.5	±2	Nominal		
1	40	78	13.4	6.3 x 0.8	M12 x 12.5
	45	78	13.4	6.3 x 0.8	M12 x 12.5
	60	98	18.8	6.3 x 0.8	M12 x 16
	60	133	18.8	6.3 x 0.8	M12 x 16
2	60	133	15	6.3 x 0.8	M12 x 16
	75	150	15	6.3 x 0.8	M12 x 16

Qualification

Reference Standards	IEC 60831-1, IEC 60831-2
Protected 10,000 AFC	-25°C to +70°C
Approval	UL 810
Vibration Test	IEC 68-2-6

Performance Characteristics

Type of Service	Continuous
Temperature Range	-25 to +55°C
Storage Temperature	-40 to +90°C
Rated Voltage VAC	320 VAC, 415 VAC, 440 VAC, 525 VAC
Nominal Frequency	50 – 60 Hz
Maximum dV/dt	30 V/μs
Maximum Admissible Tension	Temporarily 1.1 times the nominal voltage 8 hours/24 hours
Life Expectancy at Nominal Voltage	30,000 hours with ($\Delta C/C > 5\%$) at the operating temperature
Maximum Dissipation Factor (DF)	10×10^{-4} at +20°C and 50 Hz
Capacitance Tolerance	-5 to +15%
Installation	Any position
Case	Aluminum
Dielectric	Metallized polypropylene
Test Voltage Terminal to Terminal (VTT)	$2.15 V_n$ for 2 seconds
Test Voltage Terminal to Case (VTC)	3,600 V for 2 seconds
Air Distance Between Live Parts	≥ 5 mm
Air Distance Between Live Parts and Case	≥ 6 mm
Vibration Test	IEC 68-2-6
Safety	Overpressure safety device

Environmental Compliance

As a leading global supplier of electronic components and an environmentally conscious company, KEMET continually aspires to improve the environmental effects of our manufacturing processes and our finished electronic components.

In Europe (RoHS Directive) and in some other geographical areas such as China (China RoHS), legislation has been enacted to prevent or otherwise limit the use of certain hazardous materials, including lead (Pb), in electronic equipment. KEMET monitors legislation globally to ensure compliance and endeavors to adjust our manufacturing processes and/or electronic components as may be required by applicable law.

For military, medical, automotive, and some commercial applications, the use of lead (Pb) in the termination is necessary and/or required by design. KEMET is committed to communicating RoHS compliance to our customers. Information related to RoHS compliance will be provided in data sheets and using specific identifiers on the packaging labels.

All KEMET power film capacitors are RoHS compliant.

Table 1 – Ratings & Part Number Reference

Cap Value (μF)	VDC	VAC	Maximum Dimensions (mm)		Rated Current	Packaging Quantity	Part Number
			D	L	(A)		
50	400	320	60	98	4.5	40	C930ZG35500ZA0X
70	400	320	60	98	9.1	28	C930ZG35700ZA0X
100	400	320	60	133	13	28	C930ZG36100ZA0X
10	600	415	40	78	1.7	62	C931ZG35100ZA0X
16.6	600	415	60	98	2.1	28	C931ZG35166RA0X
30	600	415	60	98	5	28	C931ZG35300ZA0X
33.3	600	415	60	98	4.2	28	C931ZG35333RA0X
49.8	600	415	60	133	6.3	28	C931ZG35498RA0X
60	600	415	60	133	10.1	28	C931ZG35600ZA0X
66.3	600	415	60	133	8.3	28	C931ZG35663RA0X
83	600	415	60	133	13.5	28	C931ZG35830ZA0X
100	600	415	75	150	16.9	28	C931ZG36100ZA0X
16.5	600	460	45	78	2.5	28	C933ZG35165RS0X
33.3	600	460	60	98	5	28	C933ZG35333RS0X
66.3	600	460	60	133	10	28	C933ZG35663RS0X
77.1	600	460	60	133	11.6	28	C933ZG35771RS0X
83	600	460	60	133	12.5	28	C933ZG35830RS0X
Capacitance Value (μF)	VDC	VAC	D (mm)	L (mm)	Rated Current	Packaging Quantity	Part Number

Materials & Environment

The selection of raw materials that KEMET uses for the production of its electronic components is the result of extensive experience. KEMET directs specific attention toward environmental protection. KEMET selects its suppliers according to ISO 9001 standards and performs statistical analyses on raw materials before acceptance for use in manufacturing our electronic components. All materials are, to the best of KEMET's knowledge, non-toxic and free from cadmium; mercury; chrome and compounds; polychlorine triphenyl (PCB); bromide and chlorinedioxins bromurate clorurate; CFC and HCFC; and asbestos.

Dissipation Factor

Dissipation factor is a complex function involved with capacitor inefficiency. The $\text{tg}\delta$ may vary up and down with increased temperature. For more information, refer to Performance Characteristics.

Sealing

Hermetically Sealed Capacitors

As the temperature increases, the pressure inside the capacitor increases. If the internal pressure is high enough, it can cause a breach in the capacitor. Such a breach can result in leakage, impregnation, filling fluid, or moisture susceptibility.

Barometric Pressure

The altitude at which hermetically sealed capacitors are operated controls the capacitor's voltage rating. As the barometric pressure decreases, the susceptibility to terminal arc-over increases. Non-hermetic capacitors can be affected by internal stresses due to pressure changes. These effects can be in the form of capacitance changes, dielectric arc-over, and/or low insulation resistance. Altitude can also affect heat transfer. Heat that is generated in an operation cannot be dissipated properly, and high RI^2 losses and eventual failure can result.

KEMET Electronics Corporation Sales Offices

For a complete list of our global sales offices, please visit www.kemet.com/sales.

Disclaimer

All product specifications, statements, information and data (collectively, the "Information") in this datasheet are subject to change. The customer is responsible for checking and verifying the extent to which the Information contained in this publication is applicable to an order at the time the order is placed. All Information given herein is believed to be accurate and reliable, but it is presented without guarantee, warranty, or responsibility of any kind, expressed or implied.

Statements of suitability for certain applications are based on KEMET Electronics Corporation's ("KEMET") knowledge of typical operating conditions for such applications, but are not intended to constitute – and KEMET specifically disclaims – any warranty concerning suitability for a specific customer application or use. The Information is intended for use only by customers who have the requisite experience and capability to determine the correct products for their application. Any technical advice inferred from this Information or otherwise provided by KEMET with reference to the use of KEMET's products is given gratis, and KEMET assumes no obligation or liability for the advice given or results obtained.

Although KEMET designs and manufactures its products to the most stringent quality and safety standards, given the current state of the art, isolated component failures may still occur. Accordingly, customer applications which require a high degree of reliability or safety should employ suitable designs or other safeguards (such as installation of protective circuitry or redundancies) in order to ensure that the failure of an electrical component does not result in a risk of personal injury or property damage.

Although all product-related warnings, cautions and notes must be observed, the customer should not assume that all safety measures are indicated or that other measures may not be required.

KEMET is a registered trademark of KEMET Electronics Corporation.