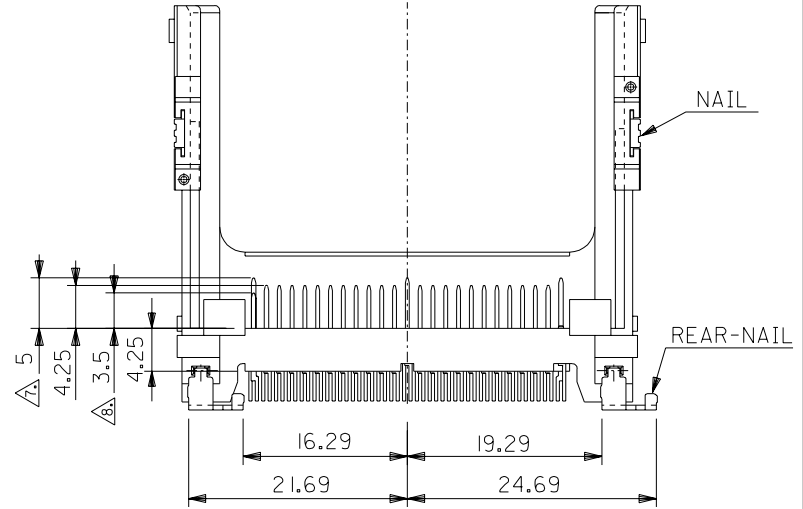
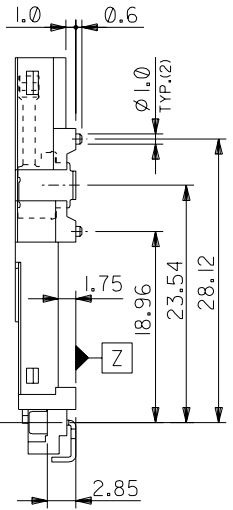
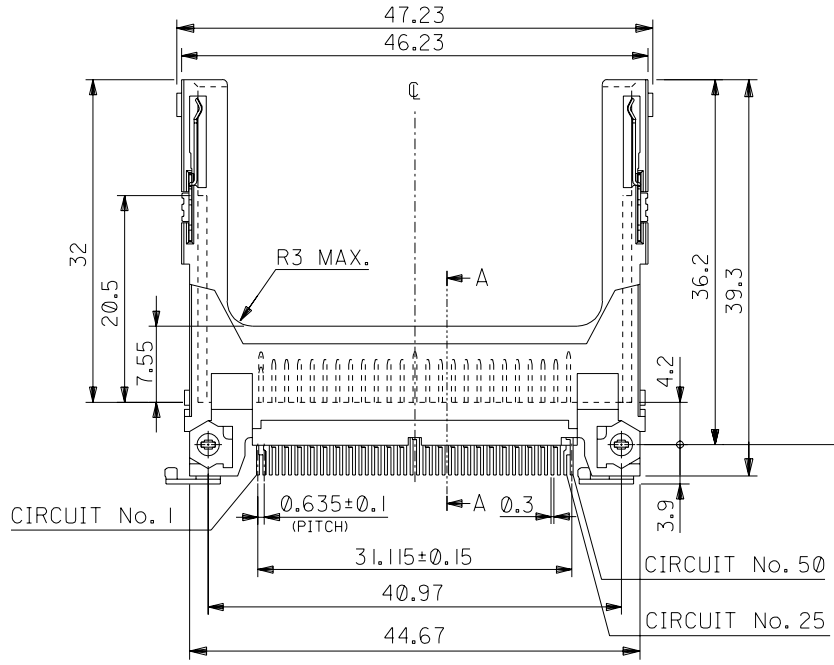
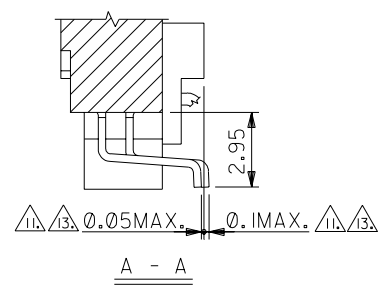
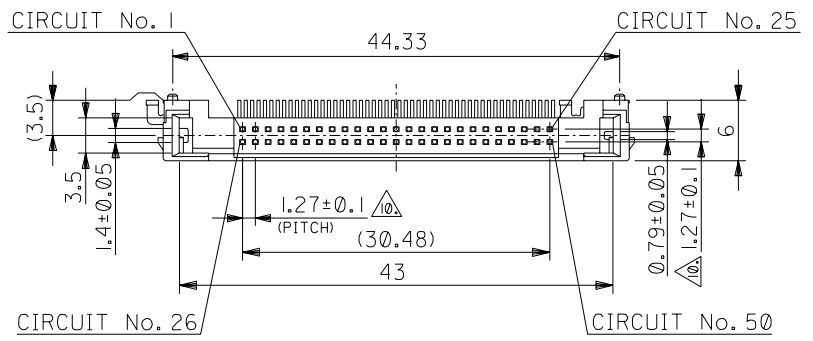


DO NOT SCALE DRAWING



SEMI-HARD TRAY PACKAGE	55359-5027
SOFT TRAY PACKAGE	55359-5029
PACKING TRAY FORM	MATERIAL NO.

EC NO. DRWN: CHK: APPR:	EC NO. DRWN: CHK: APPR:	EC NO. DRWN: CHK: APPR:	EC NO. DRWN: CHK: APPR:
RELEASED '04/03/22	EC NO. J2004-3249	DRWN: Y.SAKIYAMA	CHK: M.SASAO
		APPR: M.SASAO	

MATERIAL 材料	SHEET 2 OF 2 参照 REFER TO SHEET 2 OF 2
FINISH 仕上り	SHEET 2 OF 2 参照 REFER TO SHEET 2 OF 2
WIRE RANGE 適用線被範圍	— / —
INS. RANGE 被覆外径	— / —

GENERAL TOLERANCES: (UNLESS SPECIFIED) 一般公差	SCALE	DESIGN UNITS
10 UNDER 未滿	—	<input checked="" type="checkbox"/> mm <input type="checkbox"/> INCH
10 OVER 30 UNDER 未滿	±0.2	
30 OVER 以上	±0.25	
	±0.3	
ANGLE 角度	±3°	

DRAWN BY & DATE <i>Y. Sakiyama</i> '04/03/22	TITLE:
CHECKED BY & DATE <i>H. Sasaki</i> '04/03/22	CF CARD CONN. 50P HEADER ASS'Y (TYPE I/II, REVERSE) -LEAD FREE-
APPROVED BY & DATE <i>M. Sasaki</i> '04/03/22	MOLEX INCORPORATED
CAD FILENAME SD-55359-015.S01	MATERIAL NO. SEE CHART
	DRAWING NO. SD-55359-015
	SHEET NO. 1 OF 2

DIMENSIONS:		SHT	REV
<input type="checkbox"/> mm <input type="checkbox"/> INCH	<input type="checkbox"/> mm <input checked="" type="checkbox"/> INCH		REVISE ON CAD ONLY
THIS DRAWING CONTAINS INFORMATION THAT IS PROPRIETARY TO MOLEX INCORPORATED AND SHOULD NOT BE USED WITHOUT WRITTEN PERMISSION.			
		SIZE	B

DWG. NO. SD-55359-015

8 7 6 5 4 3 2 1

1. 材質 MATERIAL

ハウジング : ガラス入りLCP UL94V-0
HOUSING: LIQUID CRYSTAL POLYMER G.F. UL94V-0
ピン : リン青銅
PIN: PHOSPHOR BRONZE
ネール : リン青銅 (t0.3)
NAIL: PHOSPHOR BRONZE (t0.3)
リヤネール : リン青銅 (t0.48)
REAR-NAIL: PHOSPHOR BRONZE (t0.48)

2. メッキ仕様 PLATING

ピン 接続部 : パラジウムニッケル下地、金メッキ
CONTACT AREA: GOLD OVER PALLADIUM-NICKEL PLATING
半田付け部 : 錫メッキ
SOLDER TAIL AREA: TIN PLATING
下地メッキ : ニッケルメッキ
UNDER PLATING: NICKEL ALL OVER PLATING
ネール 接続部 : 金メッキ
CONTACT AREA: GOLD PLATING
半田付け部 : 錫メッキ
SOLDER TAIL AREA: TIN PLATING
下地メッキ : ニッケルメッキ
UNDER PLATING: NICKEL ALL OVER PLATING
リヤネール 錫メッキ
REAR-NAIL TIN PLATING
下地メッキ : ニッケルメッキ
UNDER PLATING: NICKEL ALL OVER PLATING

3. 推奨基板厚 : t=0.8 MIN.
RECOMMENDED P.C.B. THICKNESS: t=0.8 MIN.

4. 適合カード厚 RECOMMENDED CARD THICKNESS
接続部 : 3.3±0.1
CONNECTING AREA: 3.3±0.1

5. 適合カード幅 : 42.8±0.1
RECOMMENDED CARD WIDTH: 42.8±0.1

6. ハウジング色 : 黒
HOUSING COLOR: BLACK

△1 寸法適用極 : 1,13,38,50
THIS DIMENSION APPLIES TO CIRCUIT NUMBERS 1, 13, 38 AND 50.

△2 寸法適用極 : 25,26
THIS DIMENSION APPLIES TO CIRCUIT NUMBERS 25 AND 26.

△3 ピンの倒れは、ピン根元を基準に全方向へ0.1 MAX.とする。
PIN TIP LEAN TOWARD ANY DIRECTION NOT TO EXCEED 0.1 WHEN MEASURED FROM PIN BASE.

△4 ピン根元に適用する。
THIS DIMENSION TO BE MEASURED AT PIN BASE.

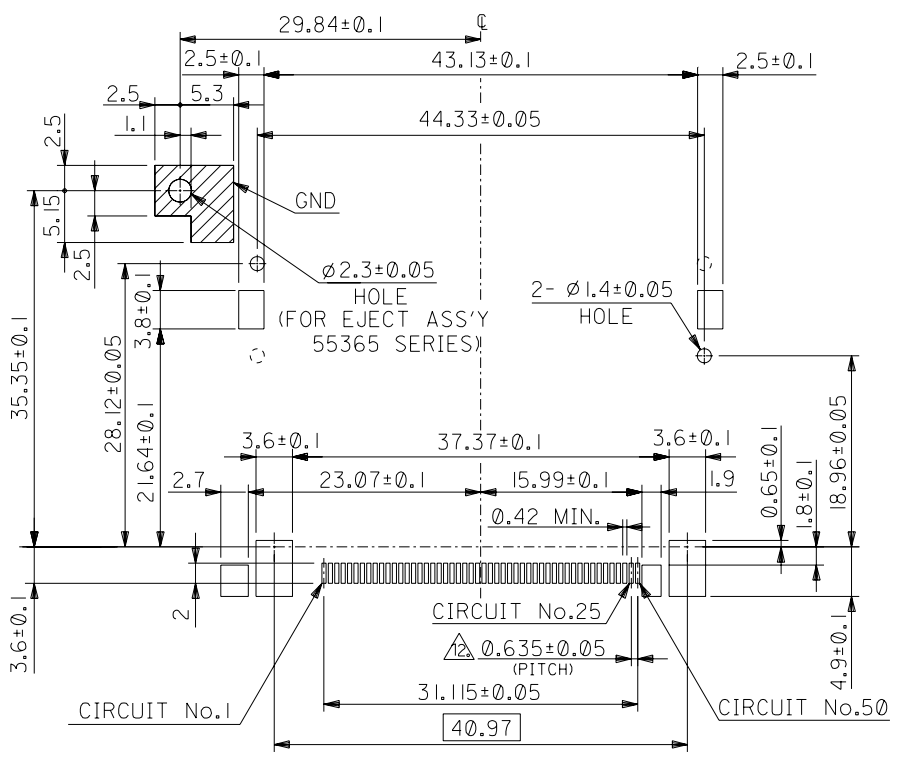
△5 ソルダータールは、Z面を基準とし上へ0.05下へ0.1の範囲にあり、且つソルダータールの平坦度は、0.1 MAX.とし、テール先端にて測定する。
SOLDERTAILS TO BE WITHIN 0.05 UPWARD AND 0.1 DOWNWARD FROM Z-DATUM PLACE, AND COPLANARITY OF SOLDERTAILS TO BE WITHIN 0.1. MEASUREMENT POINT IS SOLDERTAILS TIP.

△6 公差非累積 NON-CUMULATIVE

△7 テールとネール、リヤネールを併せた平坦度は、0.1 MAX.とする。
TOTAL COPLANARITY OF SOLDER TAILS, NAILS AND REAR-NAILS TO BE 0.1 MAX.

14. 鉛フリー対応表 CORRESPONDENCE TABLE OF LEAD FREE

	SEMI-HARD TRAY PKG	SOFT TRAY PKG
半田品 LEAD CONTENT	55359 -5026	55359 -5021
鉛フリー品 LEAD FREE	55359 -5027	55359 -5029



基板推奨寸法 RECOMMENDED P.C.B. LAYOUT

DO NOT SCALE DRAWING

EC NO. DRAWN: CHK'g APPR:	EC NO. DRAWN: CHK'g APPR:	EC NO. DRAWN: CHK'g APPR:	EC NO. DRAWN: CHK'g APPR:

REV	DESCRIPTION
0	RELEASED '04/03/22 EC NO. J2004-3249 DRW: Y.SAKIYAMA CHK: MASASAO APPR: M.SASAO

GENERAL TOLERANCES: (UNLESS SPECIFIED) 一般公差	
10 UNDER 未満	±0.2
10 OVER 以上 30 UNDER 未満	±0.25
30 OVER 以上	±0.3

SCALE	DESIGN UNITS
---	<input checked="" type="checkbox"/> mm <input type="checkbox"/> INCH

WIRE RANGE 適用電線範囲	ANGLE 角度
---	±3°

DIMENSIONS:		SHT	REV
<input type="checkbox"/> mm <input type="checkbox"/> INCH	<input checked="" type="checkbox"/> mm <input type="checkbox"/> ONLY		REVISE ON CAD ONLY
THIRD ANGLE PROJECTION			
TITLE: CF CARD CONN. 50P HEADER ASS'Y (TYPE I/II, REVERSE) -LEAD FREE-			
MOLDEX MOLEX INCORPORATED			
CAD FILENAME SD-55359-015.S02	MATERIAL NO. SEE CHART	DRAWING NO. SD-55359-015	SHEET NO. 2 OF 2
THIS DRAWING CONTAINS INFORMATION THAT IS PROPRIETARY TO MOLEX INCORPORATED AND SHOULD NOT BE USED WITHOUT WRITTEN PERMISSION.			
SIZE B			

A SD-55359-015.S02

DWG. NO. SD-55359-016

F

E

D

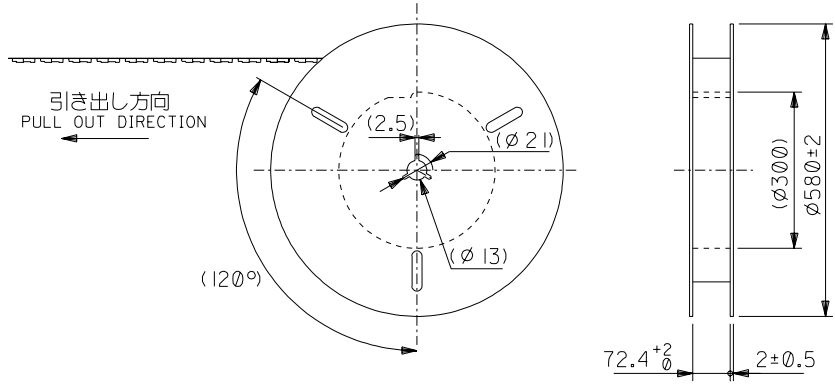
C

B

A

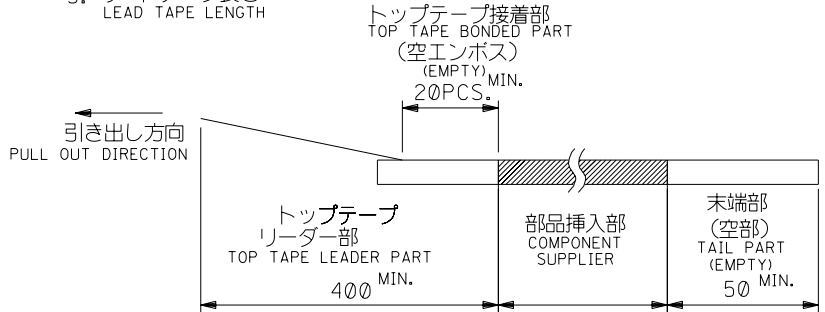
DO NOT SCALE DRAWING

8 7 6 5 4 3 2 1



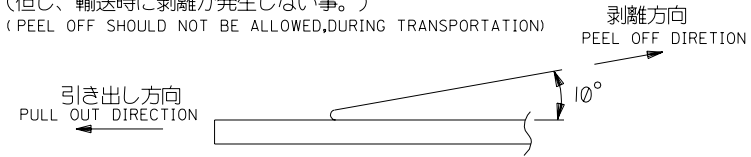
注)
NOTES

- 製品番号 55359-5029の詳細寸法については、SD-55359-015 を参照下さい。
IN THE PACKAGE, PART NO. 55359-5029 DETAILED DIMENSIONS, SEE SD-55359-015.
- 梱包数量 : 300 個/リール
NUMBER OF CONNECTORS : 300 PCS/REEL
- リードテープ長さ
LEAD TAPE LENGTH



- トップテープの剥離強度 : (剥離方向は下図参照)
PEELING OFF FORCE OF TOP TAPE (PEELING DIRECTION AS SHOWN IN FOLLOWING FIG.)
0.1~1.3N {10~130gf} : キャリアテープ幅 72mm
CARRIER TAPE WIDTH 72mm

尚、本規格値は、出荷時に適用。
THIS REQUIREMENT SHOULD BE APPLIED AT SHIPMENT
(但し、輸送時に剥離が発生しない事。)
(PEEL OFF SHOULD NOT BE ALLOWED, DURING TRANSPORTATION)



- 材料
MATERIAL
キャリアテープ : ポリプロピレン (PP)
CARRIER TAPE : POLYPROPYLENE (PP)
トップテープ : PET, PE, PEF
TOP TAPE : PET, PE, PEF
リール : 紙
REEL : CARD BOARD

- 本製品は55359-5028の鉛フリー品である。
THIS PRODUCT IS LEAD FREE OF 55359-5028.

55359-5078
MATERIAL NO.

EC NO. DRAWN: CHK: APPR:	EC NO. DRAWN: CHK: APPR:	EC NO. DRAWN: CHK: APPR:	EC NO. DRAWN: CHK: APPR:	EC NO. DRAWN: CHK: APPR:	EC NO. DRAWN: CHK: APPR:

MATERIAL 材料	注記参照 SEE NOTES
FINISH 仕上げ	#
WIRE RANGE 適用電線範囲	#
INS. RANGE 被覆外径	#

GENERAL TOLERANCES: (UNLESS SPECIFIED) 一般公差	10 UNDER 未満	±0.2
	10 OVER 以上	±0.25
	30 UNDER 未満	±0.3
	30 OVER 以上	±0.3
ANGLE 角度		±3°

55359-5078		MODEL NO.	DIMENSIONS:	SHT	REV
SCALE	DESIGN UNITS	THIRD ANGLE PROJECTION	<input type="checkbox"/> mm <input type="checkbox"/> INCH <input checked="" type="checkbox"/> mm ONLY		REVISE ON CAD ONLY
DRAWN BY & DATE Y. Sakiyama '04/03/22		TITLE: EMBSTP PKG FOR CF CARD CONN. 50P HEADER ASSY -LEAD FREE-			
CHECKED BY & DATE H. Saito '04/03/22		MOLEX MOLEX INCORPORATED			
APPROVED BY & DATE H. Saito '04/03/22		MATERIAL NO.	DRAWING NO.	SHEET NO.	
CAD FILENAME SD-55359-016.S01		SEE CHART	SD-55359-016	1 OF 2	
THIS DRAWING CONTAINS INFORMATION THAT IS PROPRIETARY TO MOLEX INCORPORATED AND SHOULD NOT BE USED WITHOUT WRITTEN PERMISSION.					
SIZE B					

8 7 6 5 4 3 2 1 EN-02J(097) MXJ-54

F

E

D

C

B

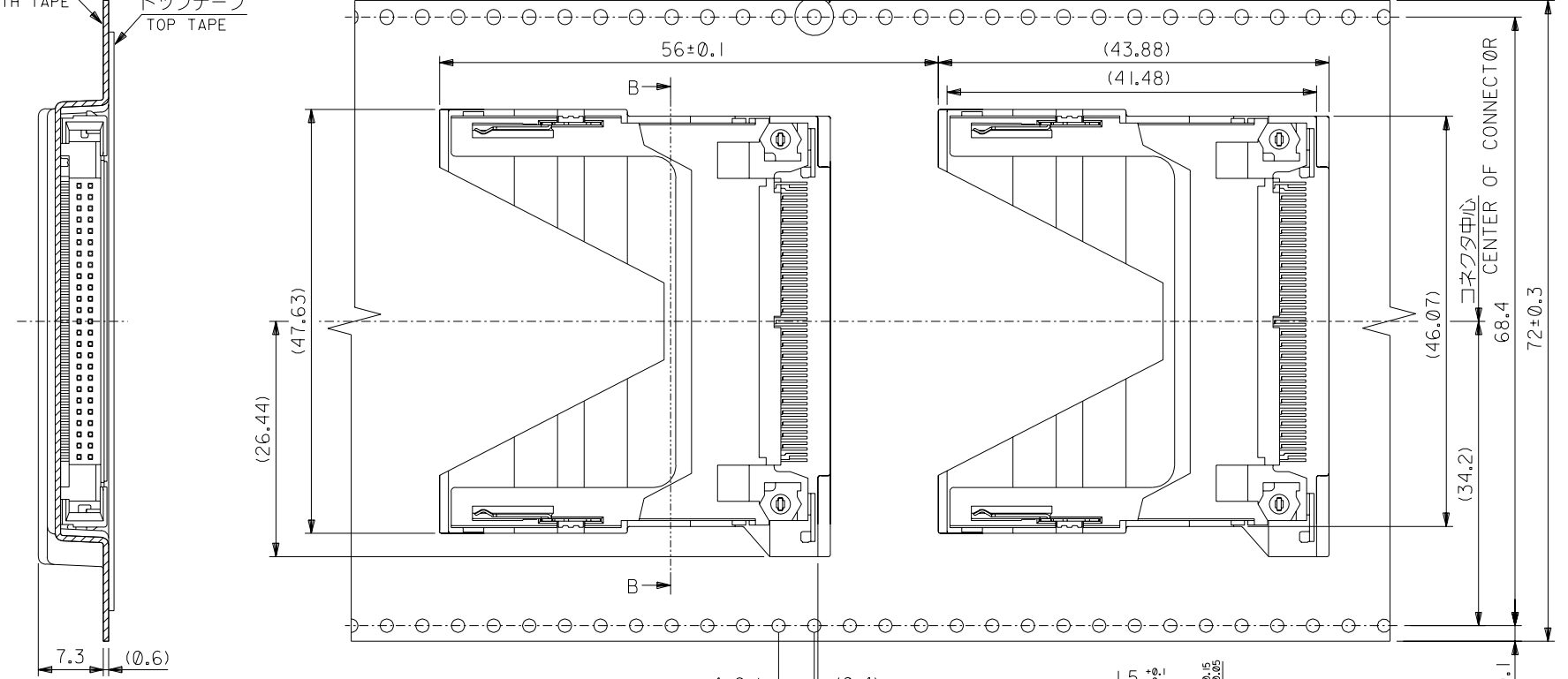
A

SD-55359-016.S01

DWG. NO. SD-55359-016

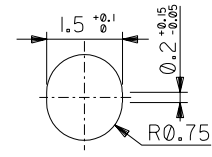
72巾テープ
72 WIDTH TAPE
トップテープ
TOP TAPE

引き出し方向
PULL OUT DIRECTION



断面 B-B
SECTION B-B

累積ピッチ: 40±0.2
ACCUMULATIVE PITCH: 40±0.2



A部詳細
DETAIL A

DO NOT SCALE DRAWING

EC NO.	DRWN:	CH'K:	APPR:	EC NO.	DRWN:	CH'K:	APPR:	EC NO.	DRWN:	CH'K:	APPR:	EC NO.	DRWN:	CH'K:	APPR:	EC NO.	DRWN:	CH'K:	APPR:
RELEASED '04/03/22 EC NO. J2004-3249 DRWN: Y.SAKIYAMA CH'K: MASASAO APPR: M.SASAO																			
REV	DESCRIPTION																		
0	MATERIAL 材料 SHEET 1 OF 2 参照 REFER TO SHEET 1 OF 2 FINISH 仕上げ // WIRE RANGE 適用電線範囲 // INS. RANGE 被覆外径 //																		

GENERAL TOLERANCES: (UNLESS SPECIFIED) 一般公差		10 UNDER 未満	±0.2
10 OVER 以上	30 UNDER 未満	±0.25	
30 OVER 以上		±0.3	
ANGLE 角度		±3°	

SCALE	DESIGN UNITS	THIRD ANGLE PROJECTION
---	<input checked="" type="checkbox"/> mm <input type="checkbox"/> INCH	<input checked="" type="checkbox"/> THIRD ANGLE <input type="checkbox"/> FIRST ANGLE
DRAWN BY & DATE	CHECKED BY & DATE	APPROVED BY & DATE
Y.Sakiyama '04/03/22	H. Saito '04/03/22	H. Saito '04/03/22
CAD FILENAME	MATERIAL NO.	DRAWING NO.
SD-55359-016.S02	SEE CHART	SD-55359-016

55359-***78	MODEL NO.	DIMENSIONS:	SHT	REV
		<input type="checkbox"/> mm <input type="checkbox"/> INCH <input checked="" type="checkbox"/> mm ONLY		REVISION
TITLE:				
EMBSTP PKG FOR CF CARD CONN. 50P HEADER ASSY -LEAD FREE-				
MOLEX INCORPORATED				

THIS DRAWING CONTAINS INFORMATION THAT IS PROPRIETARY TO MOLEX INCORPORATED AND SHOULD NOT BE USED WITHOUT WRITTEN PERMISSION.		SIZE
		B