

Specifications:

Current Rating:

1.5A for VBUS and GND Contacts

0.25A for all other Contacts

Low Level Contact Resistance:30m ohm. Max.

30m ohm(max) initial for VBUS and GND Contacts

50m ohm(max) initial for all other Contacts

Insulation Resistance:100M ohm. Min.

Withstanding Voltage:AC 500V r.m.s

Operating Temperature Range:-40°C To +105°C

Materials:

Insulator:PBT+30%G.F.(UL94V-0)

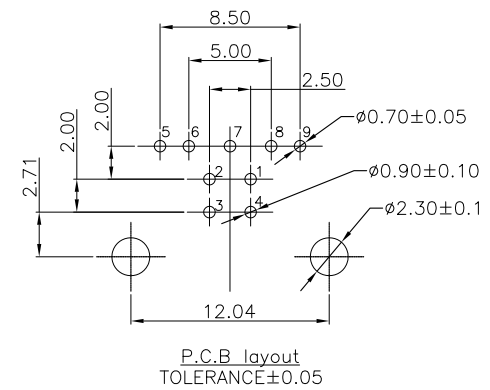
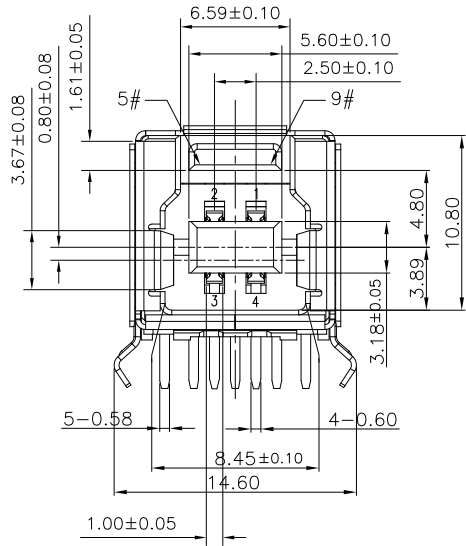
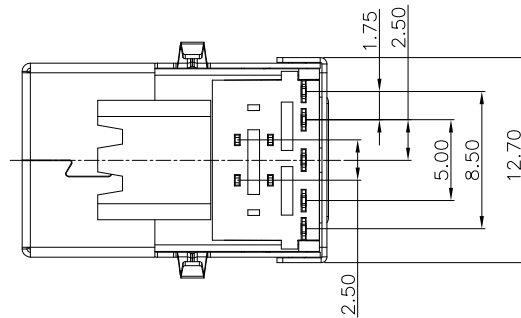
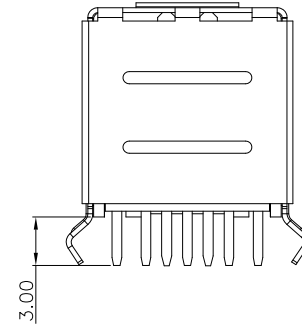
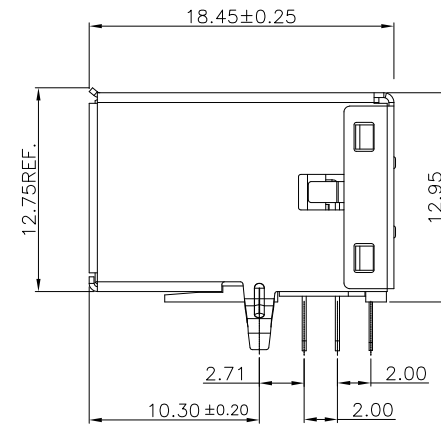
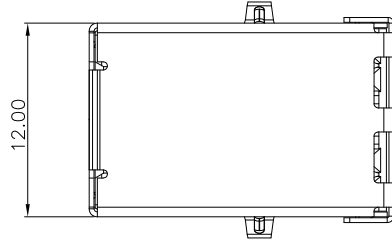
Insulator Color:Blue

Contact:Phosphor Bronze

Plating:15u" Gold Plated on Contact Area,

Tin Plated on Solder Tail.

Shell:Brass, 50-80u" Nickel Plated



Pin Number	Signal Name	Pin Number	Signal Name
1	VBUS	6	StdB_SSTX+
2	D-	7	GND-DRAIN
3	D+	8	StdB_SSRX-
4	GND	9	StdB_SSRX+
5	StdB_SSTX-	Shell	Shield

RoHS Compliant

				DRAWN: JAMIE	GENERAL TOLERANCE: .X=±0.20 .XX=±0.10	CnC Tech Industrial Cable and Connector Technology	
				CHECKED: JERRY	UNIT: MM		DESCRIPTION: USB 3.0 B Right Angle Type Receptacle,15u"
				APPROVAL: RORY	SCALE:1:1	PART NO: 1003-024-02000	
REV	DATE	FILE	BY		SHEET: 1 / 2		
	05-FEB-2020				PROJECTION:		