

D

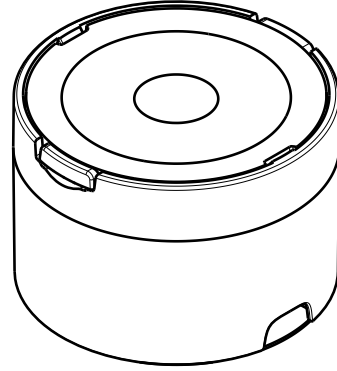
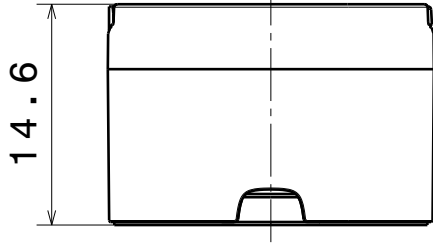
C

B

A

4

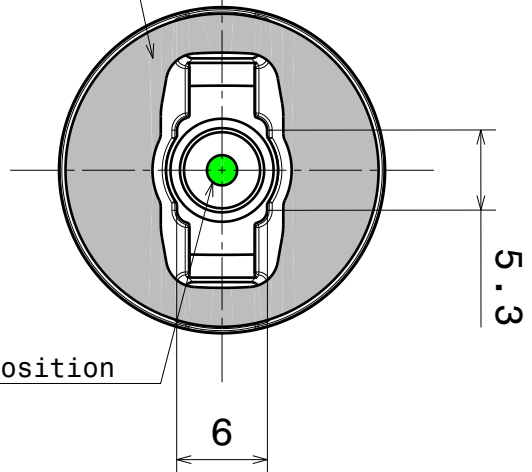
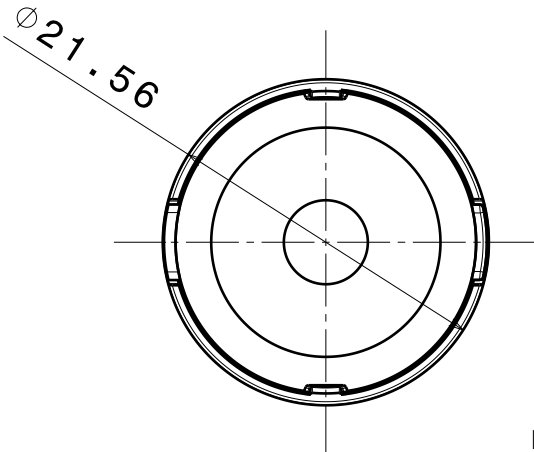
4



3

3

PU foam tape 0.4mm



2

2

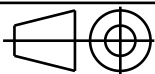
INDEX	PART NO	DESCRIPTION	MATERIAL	COLOUR
2	F12185	L0-LH1-TAPE-WHT	PC Lexan 123R	white
3	F10465	L02-RS	PMMA 8N	

Tolerances if not otherwise shown
According to DIN ISO 2768-1
Linear measures:
up to 30mm class M, otherwise class C
According to DIN ISO 2768-2
Form and position: class L

LEDiL

Ledil Oy
Salorankatu 10
FIN 24240 SALO
Finland

THIRD ANGLE PROJECTION:



DRAWING TITLE

FA12187_L02-RS

This drawing is the property
of LEDiL Oy. It may not be
reproduced, copied or
communicated without a written
agreement with LEDiL Oy.

SIZE PART NUMBER

A4

FA12187

SCALE	1:1	WEIGHT	4,3 g	SHEET	1/1
-------	-----	--------	-------	-------	-----

D

A

1

1