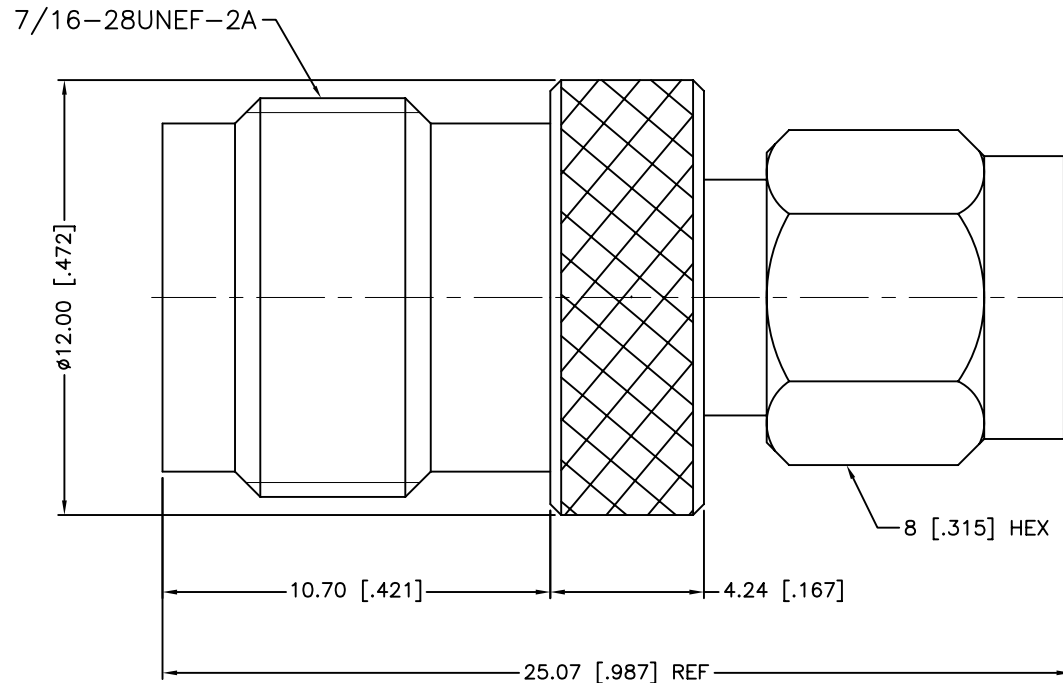
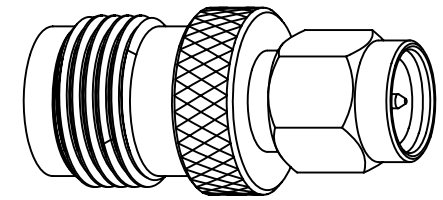


REV.	DATE	ECR NO.	DESCRIPTION
NC	05/03/12	2309	UPDATE DRAWING FORMAT



1. IMPEDANCE: 50 OHM
2. FREQUENCY RANGE: DC 0-11 GHz
3. DIELECTRIC WITHSTANDING VOLTAGE: 1000 VRMS, MIN.
4. DURABILITY: 500 CYCLES MIN.
5. TEMPERATURE RANGE: -65°C TO +165°C

6	SHELL	BRASS	NICKEL	1
5	GASKET	SILICONE	RED	1
4	RETAINER RING	SUS 304	NATURAL	1
3	CONTACT PIN	BRASS	GOLD	1
2	INSULATOR	PTFE	NATURAL	1
1	BODY	BRASS	NICKEL	1
DESCRIPTION	MATERIAL	FINISH	QTY	

UNLESS OTHERWISE SPECIFIED DIMENSIONS ARE IN MILLIMETERS. DIMENSIONS IN [] ARE IN INCHES AND FOR CUSTOMER REFERENCE ONLY.

UNLESS OTHERWISE SPECIFIED TOLERANCES FOR MILLIMETERS ARE:
0.5 - 8mm ± 0.20mm
8 - 30mm ± 0.40mm
30 - 120mm ± 0.50mm

UNLESS OTHERWISE SPECIFIED TOLERANCES FOR INCHES ARE:
.020 - .315 = ± 0.007"
.315 - 1.180 = ± 0.015"
1.180 - 4.724 = ± 0.020"

DO NOT SCALE DRAWING

APPROVALS	DATE
DRAWN I.XU	05/03/12
CHECKED	
ISSUED	
SHEET 1 OF 1	
CAD FILE C:/CONNEX/242124RP.DWG	

Amphenol Connex

PART DESCRIPTION
SMA MALE TO TNC RP ADAPTOR

PART NO.
242124RP

DWG. NO. 242124RP.DWG REV. A SIZE A SCALE NA