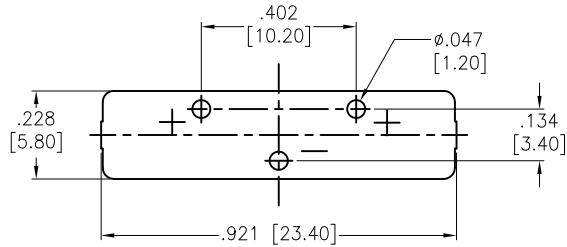
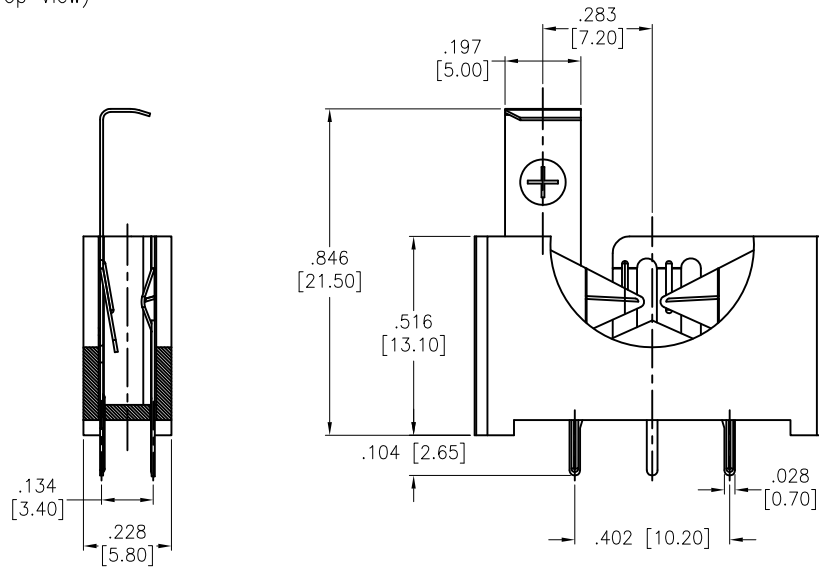
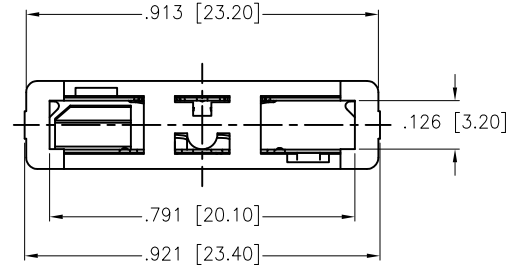


APPROVED: \_\_\_\_\_  
 DATE: \_\_\_\_\_ TITLE: \_\_\_\_\_

Rev	AWO #	Description	Date	Appr
-		RELEASED	8/11/16	
A		UPDATE DRAWING	4/22/19	OW/IL



RECOMMENDED PCB LAYOUT  
(Top View)



**SPECIFICATIONS:**

Material:  
 Housing: PBT, rated UL94V-0, Color: Black  
 Contact: Phosphor Bronze, Tin plated  
 Electrical:  
 Contact resistance: 30 mohms max  
 Insulation resistance: 1,000 Mohms min  
 Dielectric Voltage: 500 VAC one sec level  
 Temperature Rating:  
 Operating temperature: -25°C to +85°C.  
 Environmental:  
 Lead free, RoHS compliant



UNLESS OTHERWISE SPECIFIED ALL DIMENSIONS ARE INCHES [MM] TOLERANCES: EXCEPT AS NOTED		
INCHES HOLES		
.X ± .10	Ø.X ± .10	
.XX ± .020	Ø.XX ± .015	
.XXX ± .015	Ø.XXX ± .010	
APPROVALS		DATE
DRAWN	HR	8/11/16
CHECKED	LW	8/11/16
APPROVED		

**ADAM TECH** INTERCONNECTS  
 909 Rahway Avenue,  
 Union, NJ 07083  
 Phone: 908-687-5000  
 Fax: 908-687-5710

TITLE BATTERY HOLDER, PCB THRU HOLE VERTICAL, FOR CR2032, BLACK		
SIZE X	PART NO. BH-91-1	REV. A
REF: S00136C	SCALE: NTS	SHEET 1 OF 1