

### Ordering Code:

CU01 S A V 0 S 00  
 ① ② ③ ④ ⑤ ⑥ ⑦

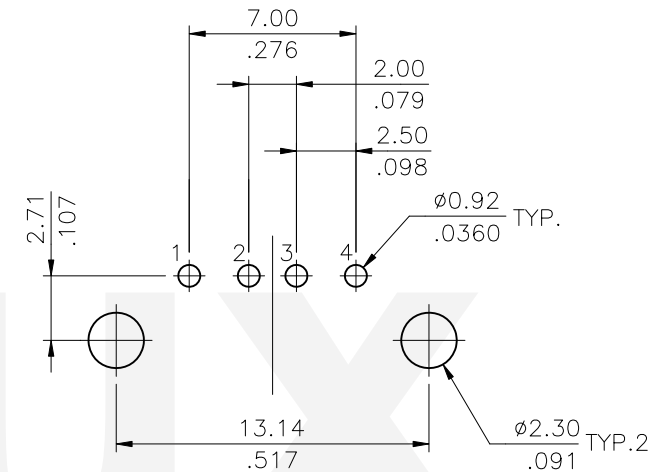
- ① Series No.
- ② S= Socket
- ③ Plating option:  
 A= Selective Gold flash plated over 50µin Nickel  
 C= Selective 30µin Gold plated over 50µin Nickel
- ④ V= Straight DIP
- ⑤ Insulator Color: 1= Black, 0= White
- ⑥ S= Single port
- ⑦ Option: 00= Standard

### Materials :

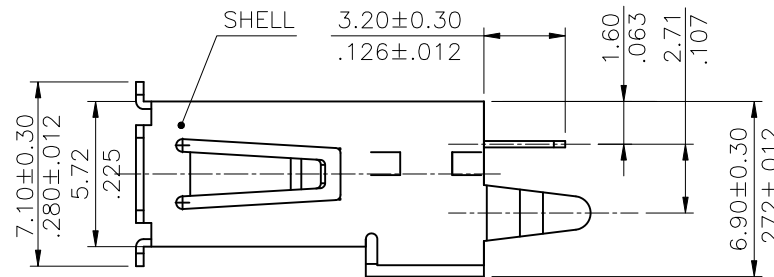
Insulator : Glass filled polyester UL 94V-0  
 Color Beige

Contacts : Phosphor Bronze

△Shell Plating: 80µ Nickel over 50µ Cu



Recommended P.C. Board Layout  
 TOP VIEW(TOLERANCE:±0.10)



RoHS Compliant

⑤	Karen	2/19-21'	ECNT121004/ECRT120089			DATE	UNIT: mm / inch	TITLE: U.S.B TYPE-A STRAIGHT BOARD MOUNT SOCKET	 瀚荃股份有限公司 CviLux Corporation			
④	Sun	7/07/15'	ECRB115038/ECNT115162		DRAWN BY: Karen	2/25-21'	TOLERANCE UNLESS OTHERWISE SPECIFIED .X ± 0.25 / .009 X' ± 4" .XX ± 0.20 / .008 .X' ± 2" .XXX ± 0.10 / .004 .XX' ±	MATERIAL:		DRAWING NO. CU0112SI	PART NO.	CU01S*V*S00
③	Hank	11/8/06'	ECN06412		ENGINEER: Sun	2/26-21'		FINISH:		SCALE 3 / 1	SHEET 1 OF 1	
②	Sun	7/01/05'	ECR05062-0/ECN05231		CHECKED BY: Eisley	3/4-21'						
SYM	NAME	DATE	REVISIONS		APPROVED BY: Eisley	3/4-21'						