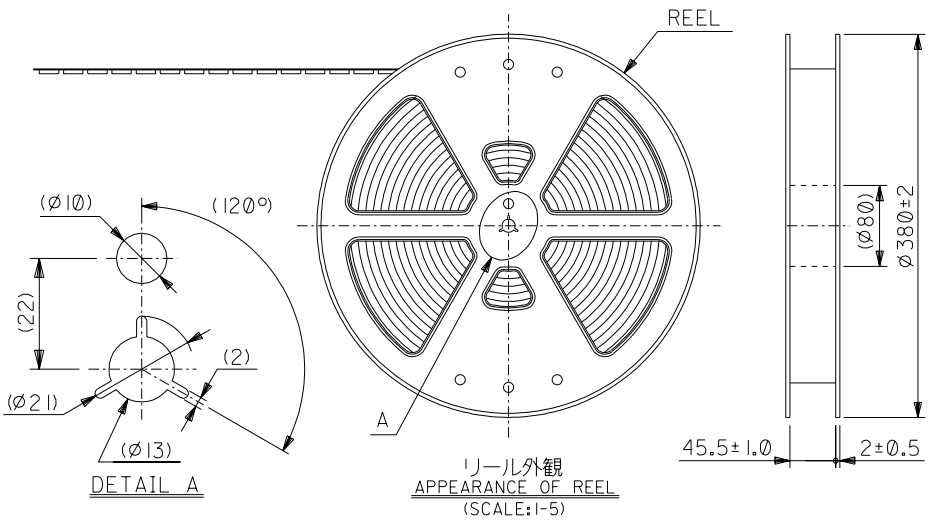
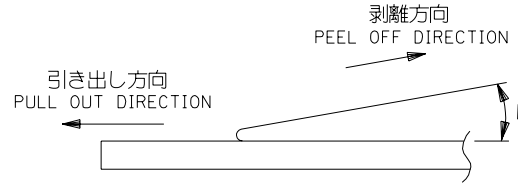


DWG. NO. SD-500990-001



3. トップテープの剥離強度: 0.1 ~ 1.3N (10.2 ~ 130gf)
 <剥離速度: 300mm/min (参考)> (剥離方向は下図参照)
 PEEL-OFF FORCE OF TOP TAPE: 0.1 ~ 1.3 N (10.2 ~ 130gf)
 (PEELING DIRECTION AS SHOWN IN FOLLOWING FIG.)
 <PEEL-OFF SPEED : 300mm/min (REF.)>

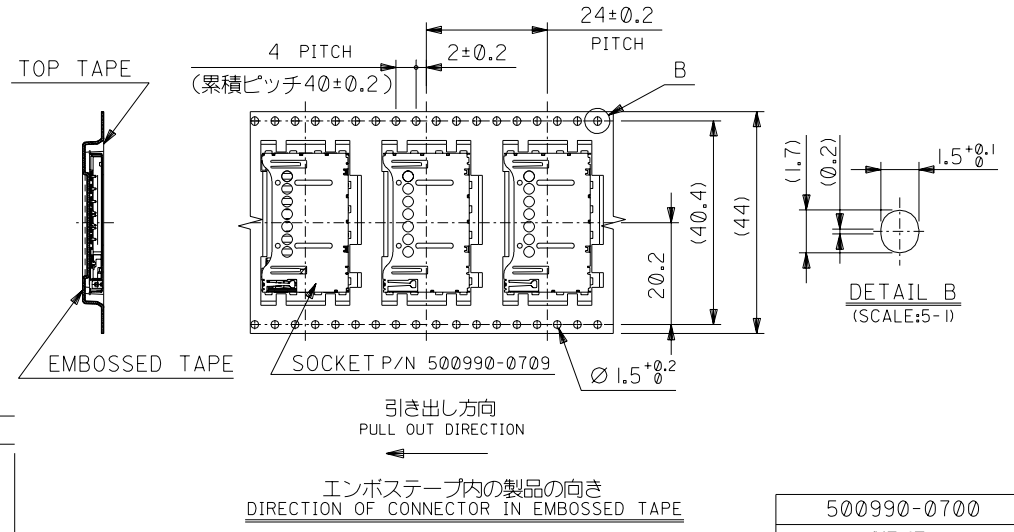
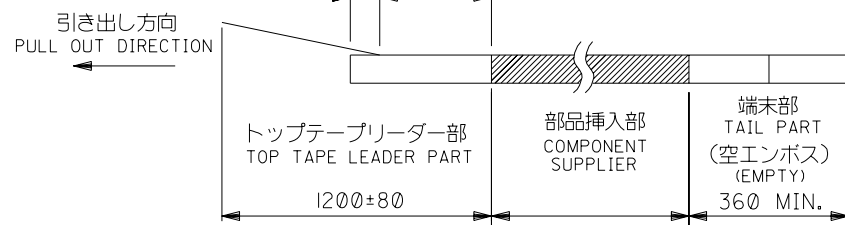


4. 材料 キャリアテープ: ポリプロピレン (PP)
 トップテープ : PET, PE, PEF
 リール : ポリスチレン (PS) <リサイクル材を含む>
 MATERIAL CARRIER TAPE : POLYPROPYLENE
 TOP TAPE : PET, PE, PEF
 REEL : POLYSTYRENE <RECYCLE MATERIAL CONTAINED>

注記 NOTES

- 梱包数量: 900 個/リール
NUMBER OF CONNECTORS : 900PCS/REEL
- リードテープ長さ
LEAD TAPE LENGTH

トップテープ未接着部 TOP TAPE NON-BONDED PART 25±25
 トップテープ接着部 (空エンボス) TOP TAPE BONDED PART (EMPTY) 25-30PCS.



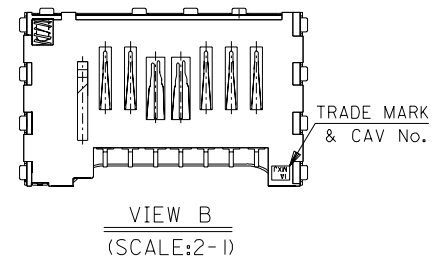
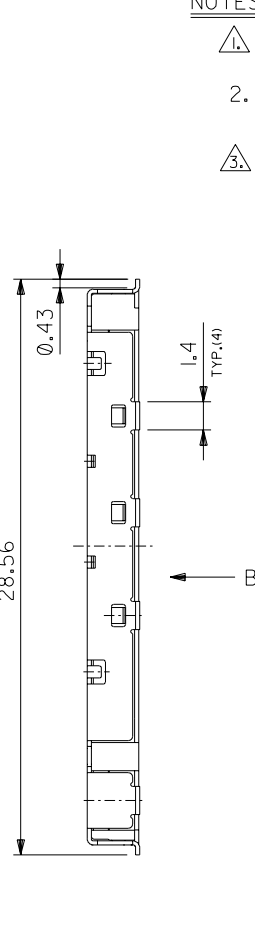
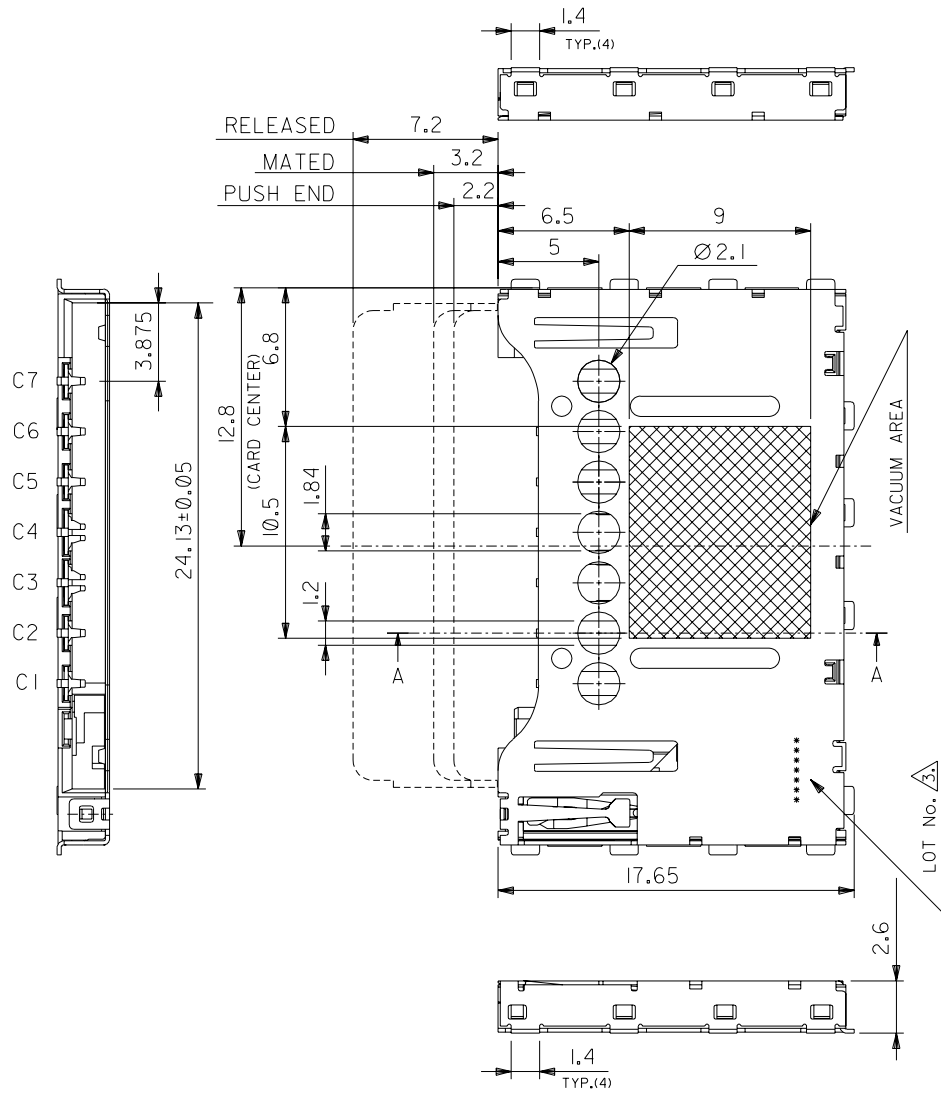
500990-0700
 製品番号
 MATERIAL No.

DO NOT SCALE DRAWING

EC NO. DRAWN: CHK: APPR:	EC NO. DRAWN: CHK: APPR:	EC NO. DRAWN: CHK: APPR:	EC NO. DRAWN: CHK: APPR:	EC NO. DRAWN: CHK: APPR:	REV	MATERIAL 材料 SEE CHART	GENERAL TOLERANCES: (UNLESS SPECIFIED) 一般公差	SCALE 1-1	DESIGN UNITS <input checked="" type="checkbox"/> mm <input type="checkbox"/> INCH	THIRD ANGLE PROJECTION <input type="checkbox"/> mm <input type="checkbox"/> INCH	SHT	REV
					0	FINISH 仕上げ SEE CHART	10 UNDER 未満 ±0.2	DRAWN BY & DATE M. SHINYAMA '03/12/03	<input type="checkbox"/> mm <input type="checkbox"/> INCH	<input type="checkbox"/> mm <input type="checkbox"/> INCH		
						WIRE RANGE 適用電線範囲	10 OVER 30 UNDER 未満 ±0.25	CHECKED BY & DATE H. Takase '03/12/03	<input type="checkbox"/> mm ONLY	<input checked="" type="checkbox"/> mm ONLY		
						INS. RANGE 被覆外径	30 OVER 以上 ±0.3	APPROVED BY & DATE Y. Ito '03/12/03				
							ANGLE 角度 ±3°	CAD FILENAME SD-500990-001.S01				
								TITLE: EMBOSSED TAPE PACKAGE FOR 500990-0709 (RS MMC SOCKET NORMAL TYPE) -LEAD FREE-				
								MATERIAL No. SEE TABLE				
								DRAWING No. SD-500990-001				
								THIS DRAWING CONTAINS INFORMATION THAT IS PROPRIETARY TO MOLEX INCORPORATED AND SHOULD NOT BE USED WITHOUT WRITTEN PERMISSION.				
												SIZE B

DWG. NO. SD-500990-002

DO NOT SCALE DRAWING



NOTES

① ターミナルおよびネールの平坦度は 0.10 MAX.
TERMINAL AND NAIL COPLANARITY TO BE 0.1MAX.

2. 納入時、スライドカムは非ロック状態
WHEN DELIVERING, THE SLIDER CAM IS IN THE STATE OF THE UNLOCK.

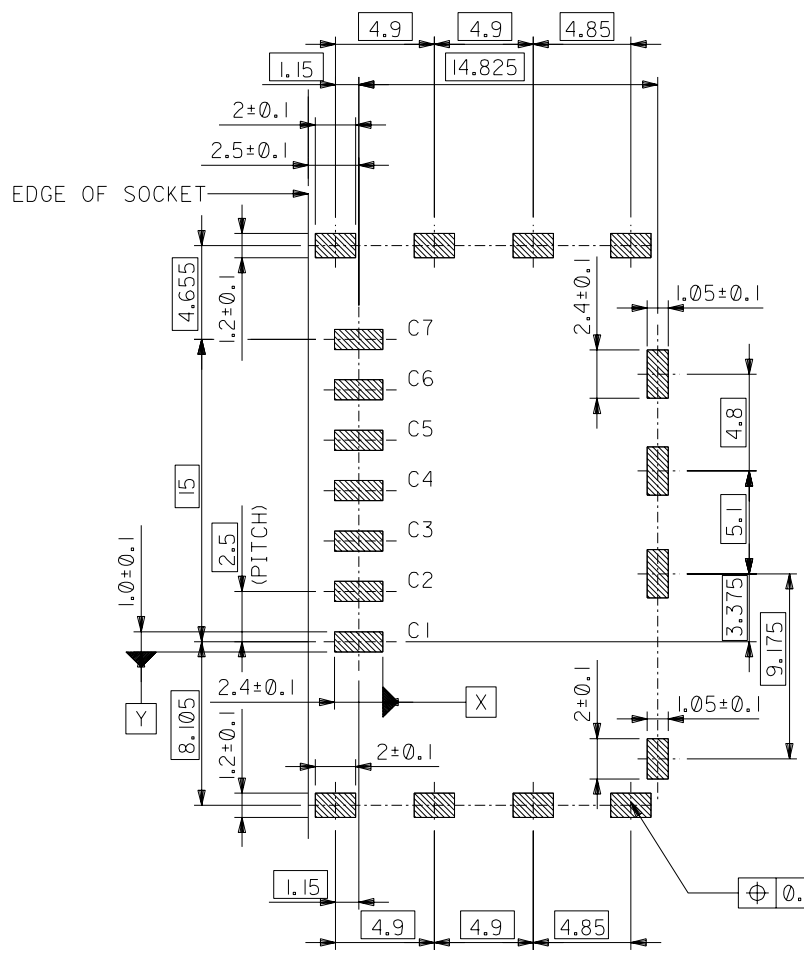
③ ロットNo. * * * * *
LOT No. 2004 : END OF YEAR

2004	:	END OF YEAR
	:	MONTH
	:	DAY
	:	PLACE
	:	LINE No.

500990-0709
製品番号
MATERIAL No.

EC NO. DRWN: CHK: APPR:	EC NO. DRWN: CHK: APPR:	EC NO. DRWN: CHK: APPR:	EC NO. DRWN: CHK: APPR:	EC NO. DRWN: CHK: APPR:	RELEASED EC NO. J2004-4486 DRWN:M.SHINYAMA 04/05/25 CHK: H.TAKASE APPR: YO.IITO	MATERIAL 材料 SEE CHART	GENERAL TOLERANCES: (UNLESS SPECIFIED) 一般公差	SCALE 4-1	DESIGN UNITS <input checked="" type="checkbox"/> mm <input type="checkbox"/> INCH	THIRD ANGLE PROJECTION	DIMENSIONS: <input type="checkbox"/> mm <input type="checkbox"/> INCH <input checked="" type="checkbox"/> mm ONLY	SHT REV
					FINISH 仕上り SEE CHART	10 UNDER 未満 ±0.2	DRAWN BY & DATE M. SHINYAMA 03/12/01	TITLE: RS MMC SOCKET NORMAL TYPE HOUSING ASS'Y				
					WIRE RANGE 適用電線範囲	10 OVER 30 UNDER 未満 ±0.25	CHECKED BY & DATE H. Takase 03/12/01	MOLEX MOLEX INCORPORATED				
					INS. RANGE 被覆外径	30 OVER 以上 ±0.3	APPROVED BY & DATE Y. Ito 03/12/01	CAD FILENAME SD-500990-002.S01	MATERIAL NO. SEE TABLE	DRAWING NO. SD-500990-002	SHEET NO. 1 OF 2	
THIS DRAWING CONTAINS INFORMATION THAT IS PROPRIETARY TO MOLEX INCORPORATED AND SHOULD NOT BE USED WITHOUT WRITTEN PERMISSION.											SIZE B	

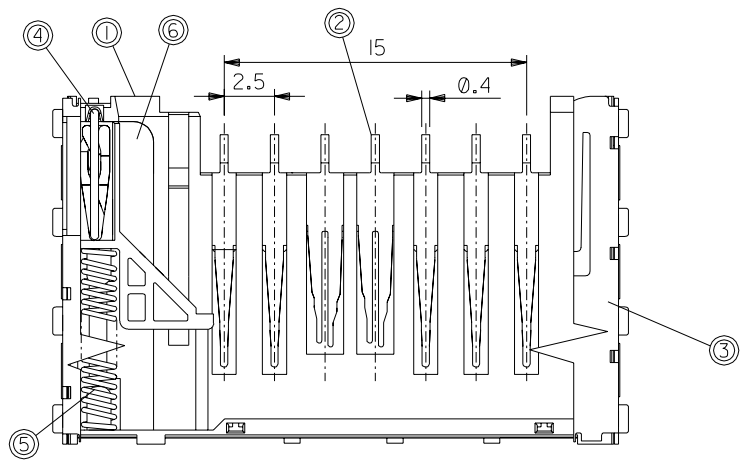
8 7 6 5 4 3 2 1



推奨基板寸法

RECOMMENDED P.C. BOARD LAYOUT

番号 No.	部品 PARTS	材質/仕上げ MATERIAL/REMARKS
①	ハウジング HOUSING	LCP, UL94V-0, 色:黒 LIQUID CRYSTAL POLYMER, UL94V-0, BLACK
②	ターミナル TERMINAL	銅合金(燐青銅 C5210R-EH, t=0.2) COPPER ALLOY (PHOSPHOR BRONZE C5210R-EH, t=0.2) めっき仕様 接点部:金めっき 0.6マイクロメートル以上 PLATING CONTACT: Au PLATING, 0.6 MICRO METER MINIMUM 半田付け部:錫めっき 1~3マイクロメートル以上 SOLDER: Sn PLATING, 1~3 MICRO METER MINIMUM 下地めっき:ニッケルめっき 2マイクロメートル以上 UNDER PLATING: Ni PLATING, 2 MICRO METER MINIMUM
③	メタルシェル METAL SHELL	ステンレス鋼, t=0.2. STAINLESS STEEL(SUS304), t=0.2, SOLDERABILITY IMPROVEMENT COAT めっき仕様 下地めっき:ニッケルめっき 2マイクロメートル以上 PLATING UNDER PLATING: Ni PLATING, 2 MICRO METER MINIMUM 半田付け処理(金、パラジウムコート) SOLDERABILITY IMPROVEMENT COAT(Au & Pd COAT)
④	カムピン CAM PIN	ステンレス鋼 STAINLESS STEEL (SUS304)
⑤	スプリング COIL SPRING	ピアノ線, ニッケルめっき PIANO WIRE (SWP), NICKEL PLATING
⑥	スライドカム SLIDER CAM	LCP, UL94V-0, 色:黒 LIQUID CRYSTAL POLYMER, UL94V-0, BLACK



EC NO. DRAWN: CHK'g APPR:	EC NO. DRAWN: CHK'g APPR:	EC NO. DRAWN: CHK'g APPR:	EC NO. DRAWN: CHK'g APPR:	EC NO. DRAWN: CHK'g APPR:	EC NO. DRAWN: CHK'g APPR:	EC NO. DRAWN: CHK'g APPR:
DESCRIPTION SEE SHEET 1						MATERIAL 材料 SEE CHART
FINISH 仕上げ SEE CHART						GENERAL TOLERANCES: (UNLESS SPECIFIED) 公差
WIRE RANGE 適用電線範囲						10 UNDER 未滿 ±0.2
INS. RANGE 被覆外径						10 OVER 30 UNDER 未滿 ±0.25
						30 OVER 以上 ±0.3
						ANGLE 角度 ±3°

SCALE 4-1	DESIGN UNITS <input checked="" type="checkbox"/> mm <input type="checkbox"/> INCH	THIRD ANGLE PROJECTION	DIMENSIONS: <input type="checkbox"/> mm <input type="checkbox"/> INCH <input checked="" type="checkbox"/> mm ONLY	SHT REV
DRAWN BY & DATE M. SHINYAMA '03/12/01		TITLE: RS MMC SOCKET NORMAL TYPE HOUSING ASS'Y -LEAD FREE-		
CHECKED BY & DATE S. Takase '03/12/01		MOLEX INCORPORATED		
APPROVED BY & DATE Y. Ota '03/12/01		MATERIAL NO. SEE TABLE		
CAD FILENAME SD-500990-002.S02		DRAWING NO. SD-500990-002		
THIS DRAWING CONTAINS INFORMATION THAT IS PROPRIETARY TO MOLEX INCORPORATED AND SHOULD NOT BE USED WITHOUT WRITTEN PERMISSION.		SHEET NO. 2 OF 2		