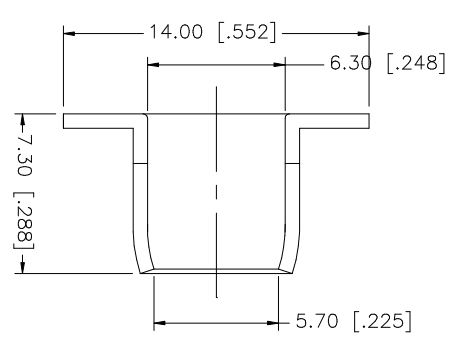
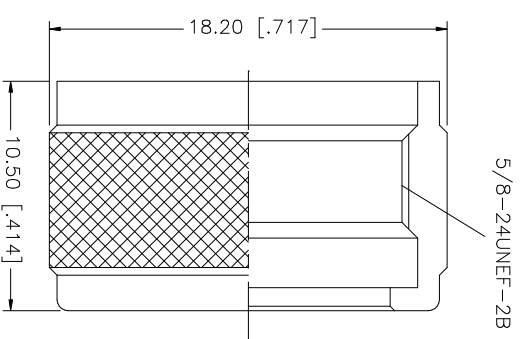
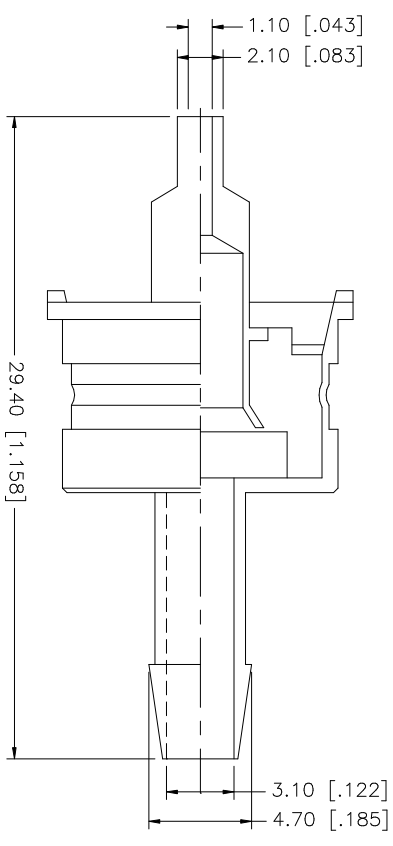
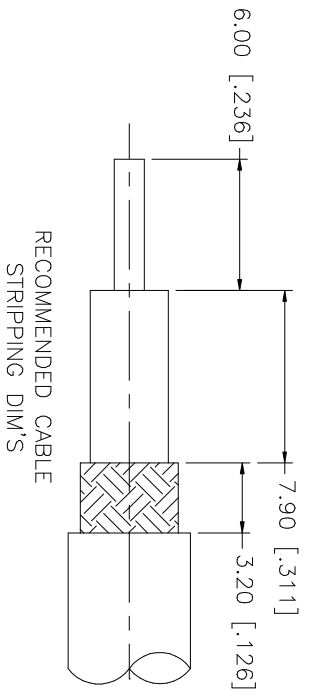


REV.	DATE	DESCRIPTION
NC	03/06/03	INITIAL RELEASE



DESCRIPTION	MATERIAL	FINISH	QTY	DO NOT SCALE DRAWING	APPROVALS	DATE	PART DESCRIPTION
8					UNLESS OTHERWISE SPECIFIED DIMENSIONS ARE IN MILLIMETERS. DIMENSIONS IN [] ARE IN INCHES AND FOR CUSTOMER REFERENCE ONLY.	03/06/03	Amphenol Connex UHF FCP PLUG (FOR RG-58/U, 141/U CABLE) 182103
7				UNLESS OTHERWISE SPECIFIED TOLERANCES FOR MILLIMETERS ARE:			
6				0.5 - 8mm ± 0.20mm			
5				8 - 30mm ± 0.40mm			
4	FERRULE	BRASS	1	30 - 120mm ± 0.30mm			
3	CONTACT PIN	BRASS	1	UNLESS OTHERWISE SPECIFIED TOLERANCES FOR INCHES ARE:			
2	INSULATOR	PHENOLIC	1	.020 - .315 = ± 0.007"			
1	SHELL/BODY	BRASS	1	.315 - 1.180 = ± 0.015" 1.180 - 4.724 = ± 0.020"			
DESCRIPTION							
MATERIAL							
FINISH							
QTY							
DO NOT SCALE DRAWING							
CAD FILE							
C:/182/182103.DWG							
DWG. NO.							
182103.DWG							
REV.							
NC							
SIZE							
A							
SCALE							
NA							