

NOTES:

1.0 ELECTRICAL SPECIFICATIONS:

- 1.1 FREQUENCY RANGE: 8.0 to 12.4 GHz
- 1.2 INSERTION LOSS: .50dB MAX.
- 1.3 ISOLATION: 20dB MIN
- 1.4 VSWR (MAX): 1.50:1
- 1.5 OUTPUT UNBALANCE:
  - 1.5.1 AMPLITUDE: 0.30dB MAX.
  - 1.5.2 PHASE: 5.0° MAX.
- 1.6 MAX. INPUT POWER: 30 WATTS AT +25°C W/OUTPUT LOAD VSWR < 2.0:1
- 1.7 OPERATING TEMP. RANGE: -65°C to +125°C

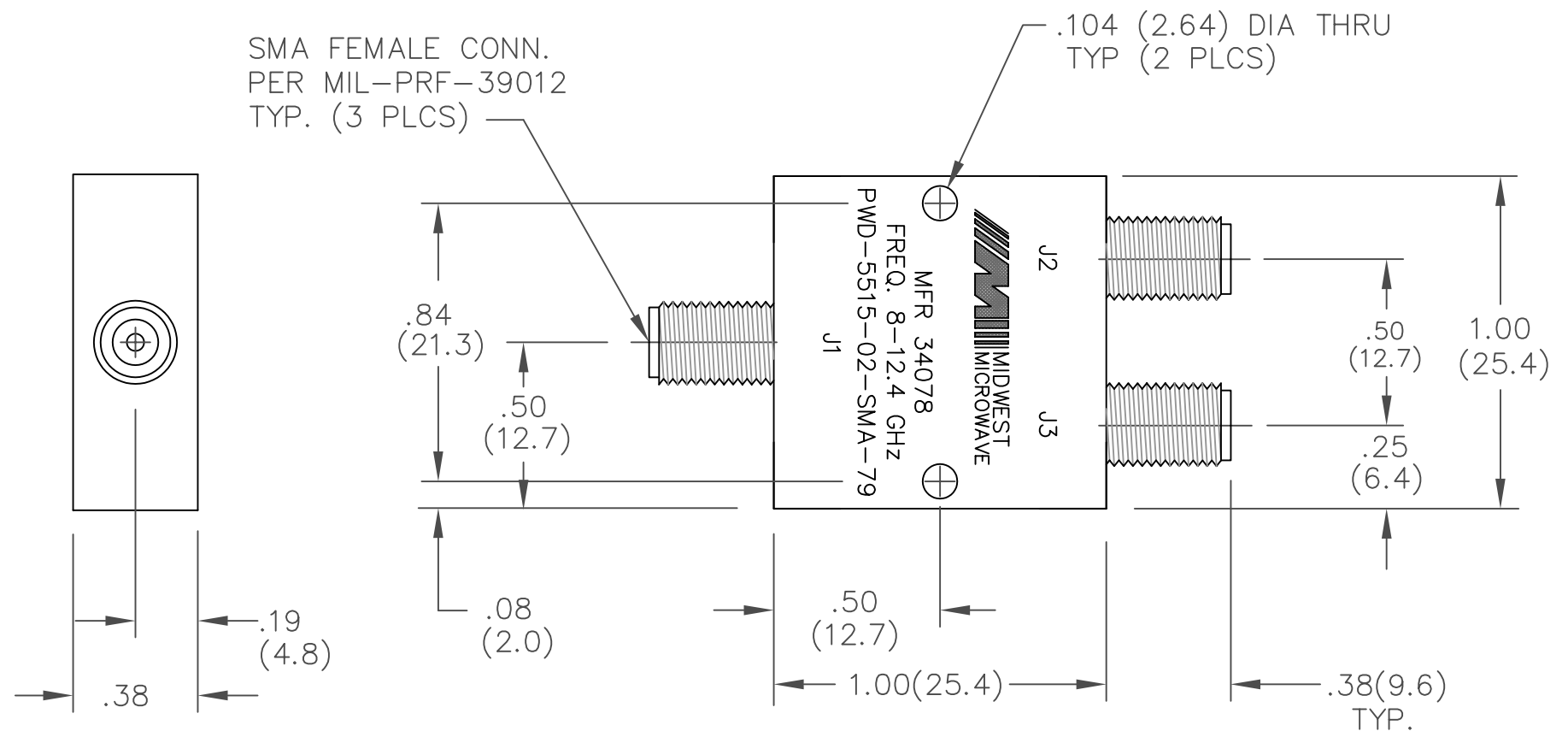
2.0 FINISH

- 2.1 GREY OVER MIL-E-15090 TYPE II, CLASS 2 OVER MIL-C-5541, CLASS 3A
- 2.2 MEETS MIL-F-14072
- 2.3 MEETS MIL-E-5400 & MIL-E-16400V.

3.0 MARKING: MARK UNIT AS SHOWN.  
SLK-09421-82-01

4.0 DIMENSIONS IN PARENTHESIS ARE IN MILLIMETERS.

NO DATA REQUIRED



NOTICE: The information contained in this drawing is proprietary and must not be used without the permission of Emerson Network Power.		CAGE CODE <b>34078</b>		<b>MIDWEST MICROWAVE</b>	
UNLESS OTHERWISE NOTED DIMENSIONS ARE IN INCHES AND TOLERANCES ARE: 3 PLACE DECIMALS ±.005 2 PLACE DECIMALS ±.02 FRACTIONS ±1/64 PARALLELITY: T.I.R. _____ FLATNESS: T.I.R. _____ CONCENTRICITY: T.I.R. _____ ANGLES AND PERPENDICULARITY: ±1°				TITLE POWER DIVIDER OUTLINE DRAWING	
DRAWN/DATE A.BEATTY 4/16/91	ENG./DATE P.GOODMAN 4/29/91	DRAWING NUMBER PWD-5515-02-SMA-79-01		REV. C	
CHECKED/DATE A.OSGA 4/26/91	APPROVED/DATE	SCALE: 2=1		SHEET 1 of 1	

REV.	DESCRIPTION	DATE
-	RELEASED	4/30/91
A	ECN 10559	5/17/91
B	ECN 12086	9/14/92
B1	ADDED TITLEBLOCK	7/18/05
C	ECN 20519	9/1/05