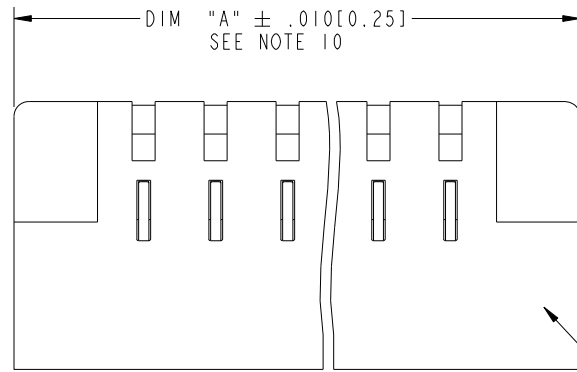


Tous droits strictement réservés. Reproduction ou communication a des tiers interdite sous quelque forme que ce soit sans autorisation écrite du propriétaire. Propriété de c FCI. Droits de reproduction FCI.

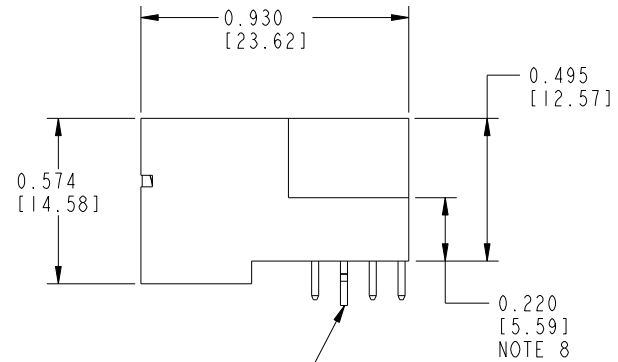
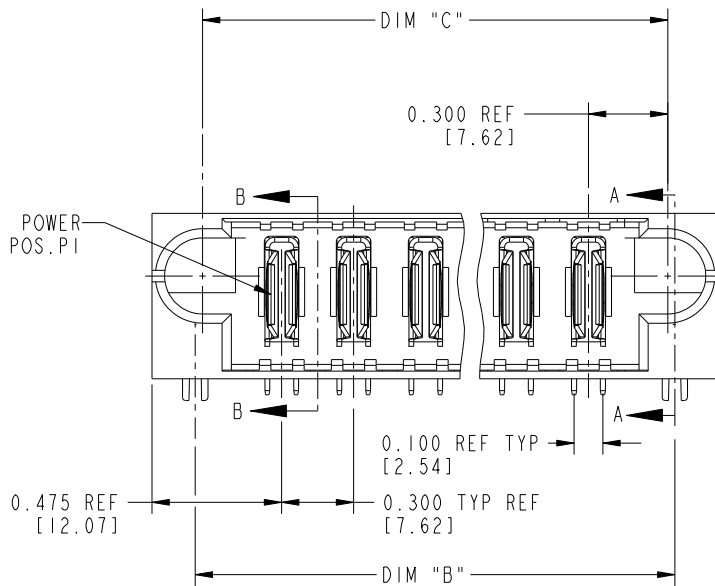


All rights strictly reserved. Reproduction or issue to third parties in any form whatever is not permitted without written authority from the proprietor. Property of FCI. Copyright FCI.

PRODUCT NUMBER
51812-ABB00000EF_
Note: ①



SEE NOTE 9



mat'l code				SEE NOTE 2		tolerances unless otherwise specified		CUSTOMER		FCI	
ltr	ecn no.	dr	date	linear	.XX±.01/0.X±0.3	projection	COPY		www.fciconnect.com		
A	V02363	EKK	09-28-00		.XXY±.005/0.XX±0.13	INCH/MM	product family		R/A HEADER w/GUIDE PIN		
B	V20774	DAI	5/14/02	angles	.XXX±.0020/0.XXX±.051	scale	PWRBLADE		.300 [7.62] POWER SPACING		
C	DG05-0125	GuoJM	05/30/05	dr	0°±2°	3:2	size		code		
D	DG07-0047	RYAN	02/01/07	enr	E. KORFF 09-28-00	A	51812		213		
E	DG08-0239	JC	09/11/08	chr	J. BROWN 09-28-00	sheet		1 of 3			
F	DG08-0272	WD	09/28/08	appd	J. BROWN 09-28-00						
sheet index		revision sheet		F	F	F					
				1	2	3					

Pro/E

PDM: Rev:F

STATUS: Released

Printed: Dec 20, 2010



1 | 2

3 |

4

PRODUCT NUMBER 51812-ABB00000EF-- Note: ①	DIM	LENGTH FORMULAS (SEE NOTE 10)
	DIM "A"	.300 [7.62] x BB + .650 [16.51] (NOTE 10)
	DIM "B"	.300 [7.62] x BB + .350 [8.89]
	DIM "C"	.300 [7.62] x BB + .300 [7.62]
	DIM "F"	.300 [7.62] x BB + .680 [17.27]

CONNECTOR NOTES

- PRODUCT NUMBER CODE:
51812 - A BB 000 00 E F LF
 - NO THIS SUFFIX: 100u"/2.54um SnPb ON PCB INTERFACE
 - ADD THIS SUFFIX: 78u"/2.00um Sn ON PCB INTERFACE
 - RETENTION TO PCB (NOTE 8)
 - TAIL OPTIONS (NOTE 7)
 - NUMBER OF RIGHT END POWER CONTACTS (NOTE 6)
 - NUMBER OF SIGNAL CONTACTS (NOTE 5)
 - NUMBER OF LEFT END POWER CONTACTS (NOTE 4)
 - PLATING (NOTE 3)
 - BASE NUMBER
- HOUSING MATERIAL: GLASS FILLED V-O HIGH TEMP THERMO PLASTIC.
SIGNAL CONTACT MATERIAL: COPPER ALLOY
POWER CONTACT MATERIAL: COPPER ALLOY
- PLATING OPTION:
I = SEE PRINT 10064183 FOR PLATING SPEC OF 51723-1BB00000EF; 51723-1BB00000EFLF
- LEFT END POWER CONTACTS, 01 TO 20 AVAILABLE.
- THIS PART NOT AVAILABLE WITH SINGAL CONTACTS.
- THIS PART NOT AVAILABLE WITH RIGHT END POWER CONTACTS.
- TAIL OPTIONS:
A = .135 [3.43] SOLDER TO BOARD

- RETENTION TO PCB OPTIONS:
A = BOARD LOCK (REQUIRES .098 + .002, -.001 [2.49 +0.05, -0.03] THRU HOLE IN PCB).
MOUNTING FOOT THICKNESS: .220[5.59]
B = .150 [3.81] THRU HOLE (REQUIRES .158±.003 [4.01±08] THRU HOLE IN PCB).
MOUNTING FOOT THICKNESS: .160[4.06]
- MANUFACTURE'S NAME, P/N, AND DATE CODE TO APPEAR ON THIS SURFACE.
- THE MAXIMUM OVERALL LENGTH (DIM A) OF A PART IS 8.00 [203.2]
- PRODUCT SPECIFICATION GS-12-149
- REFERENCE 51697 FOR SPECIALS WORKSHEET.]

PCB NOTES:

- ALL DIMENSIONS ARE BASIC UNLESS OTHERWISE SPECIFIED.
- ALL THROUGH HOLES ARE LOCATED WITH A TRUE POSITION OF .004[0.10]
- ALL HOLE DIAMETERS ARE FINISHED HOLE SIZE.
- Ø0.0453 ±.001 [1.151 ±0.02] DRILLED HOLES PLATED WITH 0.0003 [0.007] MIN SnPb OR Sn OVER 0.001 [1.03] TO .003 [0.08] PLATING TO ACHIEVE A .040±.003 [1.02±08] HOLE.
- A Δ SYMBOL WILL BE NEXT TO ANY DIMENSION, VIEW, OR NOTE WHICH HAS BEEN MODIFIED WITH THE CURRENT DRAWING REVISION.

mat'l code				SEE NOTE 2		tolerances unless otherwise specified		CUSTOMER		FCI		www.fciconnect.com	
lfr	ecn no.	dr	date	linear	.XX±.01/0.X±0.3	projection	COPY		title R/A HEADER w/GUIDE PIN				
F				angles	.XXY±.005/0.XX±0.13	ϕ ±.2°	INCH/MM		.300[7.62] POWER SPACING				
				dr	.XXX±.0020/0.XXX±.051	scale	3:2		product family PWRBLADE		code 213		
				enrg	0° ± 2°		A		size 51812		sheet 2		
				chr	E. KORFF 09-28-00								
				appd	J. BROWN 09-28-00								
					J. BROWN 09-28-00								
sheet index	revision sheet												

1 | 2

Pro/E

PDM: Rev:F

STATUS: Released

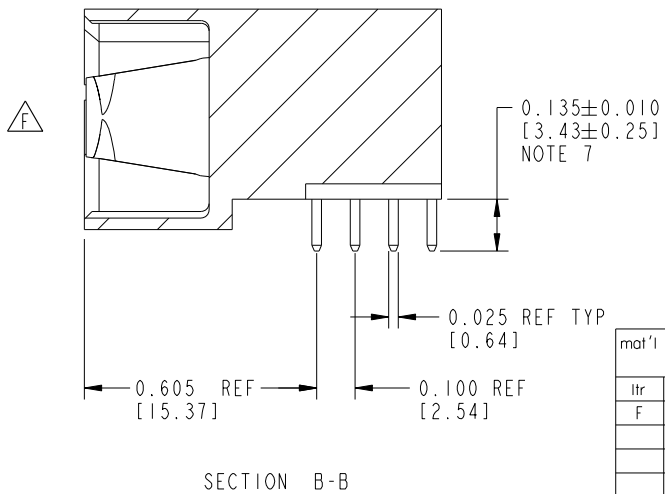
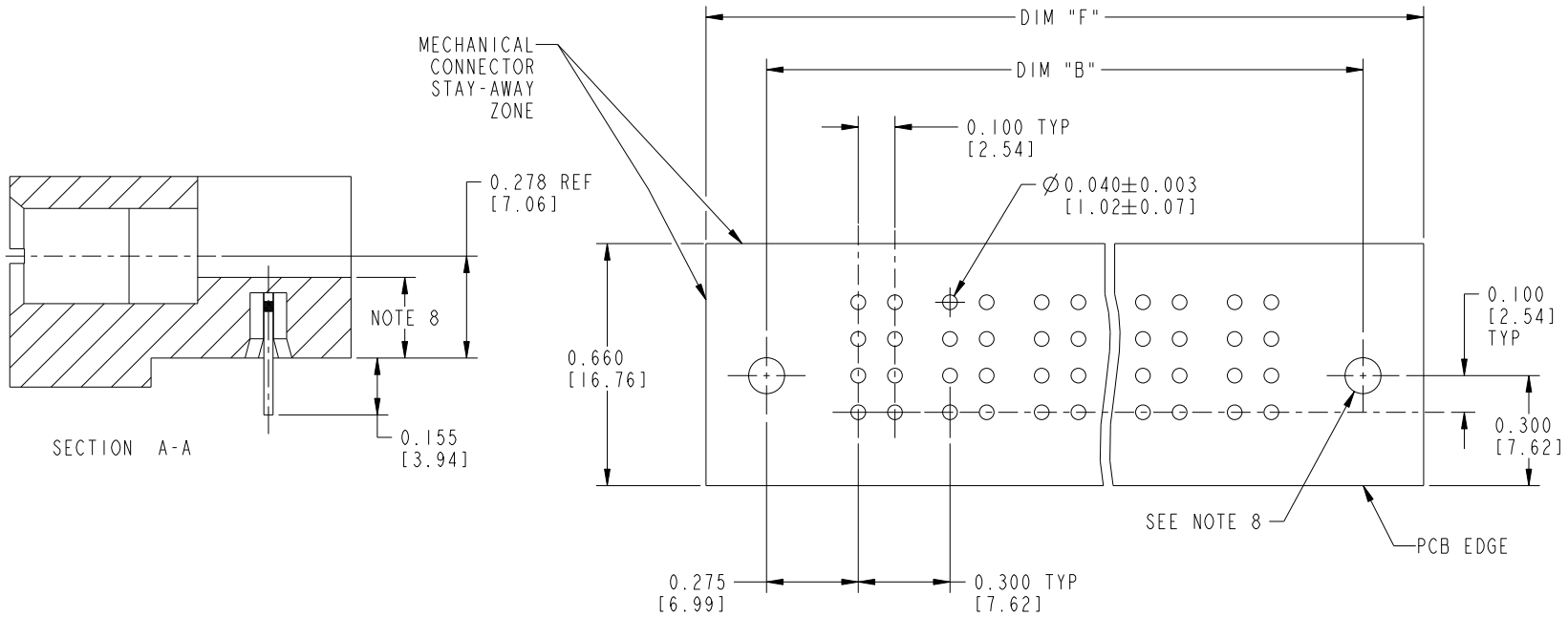
Printed: Dec 20, 2010

Tous droits strictement réservés. Reproduction ou communication a des tiers interdite sous quelque forme que ce soit sans autorisation écrite du propriétaire. Propriété de c FCI. Droits de reproduction FCI.

All rights strictly reserved. Reproduction or issue to third parties in any form whatever is not permitted without written authority from the proprietor. Property of FCI. Copyright FCI.



PRODUCT NUMBER
51812-ABB00000EF__
Note: ①



RECOMMENDED PCB LAYOUT

mat'l code		SEE NOTE 2		tolerances unless otherwise specified		CUSTOMER		FCI	
ltr	ecn no.	dr	date	linear	.XX±.01/0.X±0.3	COPY		www.fciconnect.com	
F				projection	.XXY±.005/0.XX±0.13	INCH/MM		title R/A HEADER w/GUIDE PIN .300[7.62] POWER SPACING	
				angles	.XXX±.0020/0.XXX±.051	scale		product family PWRBLADE code 213	
				dr	0°±2°	2:1		size dwg no 51812 sheet 3	
				enrg	E. KORFF 09-28-00				
				chr	J. BROWN 09-28-00				
				appd	J. BROWN 09-28-00				
sheet index	revision sheet								

cage code 22526

Pro/E

PDM: Rev:F

STATUS: Released

Printed: Dec 20, 2010