

AVRGT

1

2

3

4

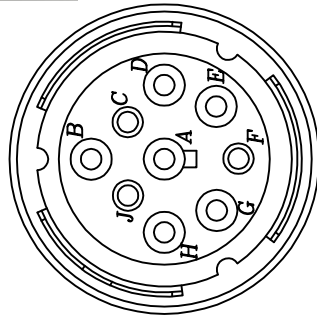
5

6

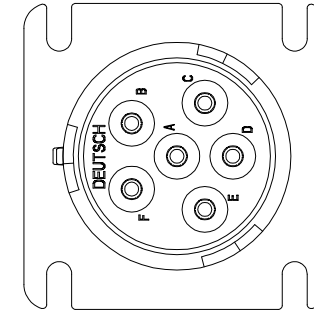
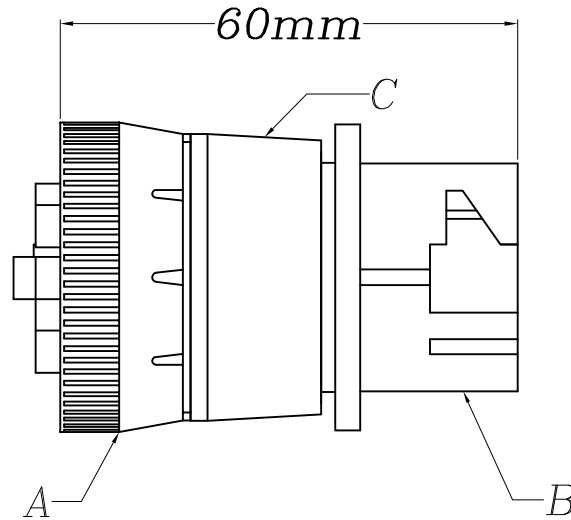


A

B



P1 J1939-9P FEMALE



P2 J1708-6P MALE

PIN ASSIGNMENT

P1 J1939-9P FEMALE

P2 J1708-6P MALE

A _____ E
 B _____ C
 F _____ A
 G _____ B

TESTING

- 1.Any Open,Short Miswiring & Intermittent are not permitted.
- 2.Contact Resistance:1Ω.
- 3.Insulation Resistance:50MΩ/250V DC MIN.
- 4.This product is ROHS compliant.

ITEM	BILL OF MATERIAL /SPECIFICATION	QTY	UNIT
D	CABLE:UL1007 20AWG L=60MM	4	PCS
D	C OVERMOLD:BLACK 25P BLACK PVC	30	G
B	J1708-6PIN MALE CONNECTOR:GRAY PA66+GF	1	SET
A	J1939-9PIN FEMALE CONNECTOR:GREEN PA66+GF	1	SET

1

2

3

4

5

6

AVRGT

NO.	MOULD NO.	REMARK
1		THE FIRST RELEASE

Designed-MFG by AVR Global Tech

QUALITY SYMBOLS	Molded 1-piece adapter	
	150149-M01-130	
	GENERAL TOLERANCES	PRODUCT NAME J1939-9PIN FEMALE TO J1708-6PIN MALE
	X ±--- .X ±--- .XX ±1.27 .XXX ±0.51	
	ANGLE TOLERANCES	UNIT: MM SHEET: 1/1
	X° ±1.0° .X° ±---	DATE: 2019/09/04 DATE: DRAWN BY: Andy APPROVED BY:
	.XX° ±--- .XXX°	

D