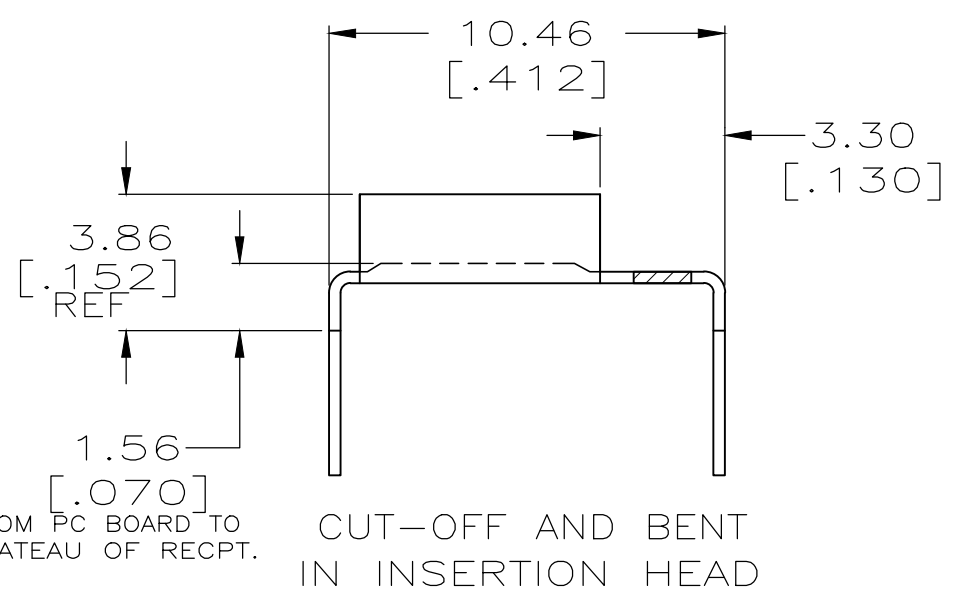
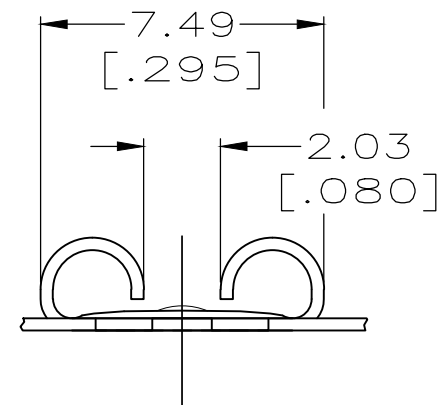
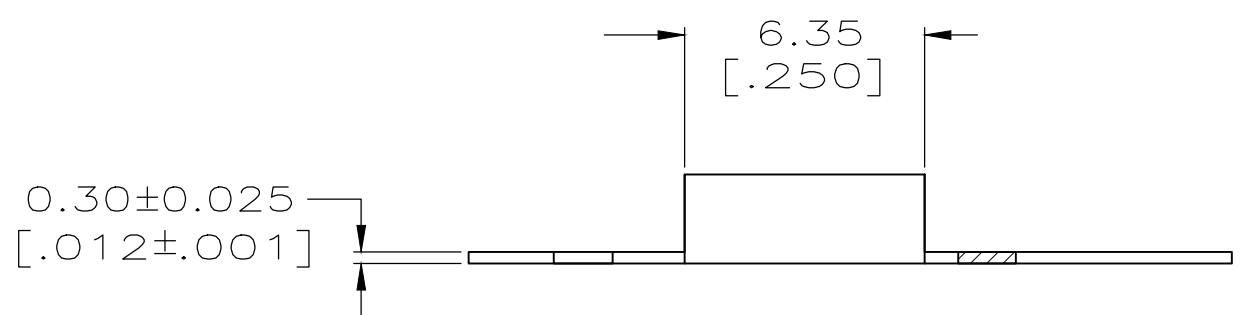
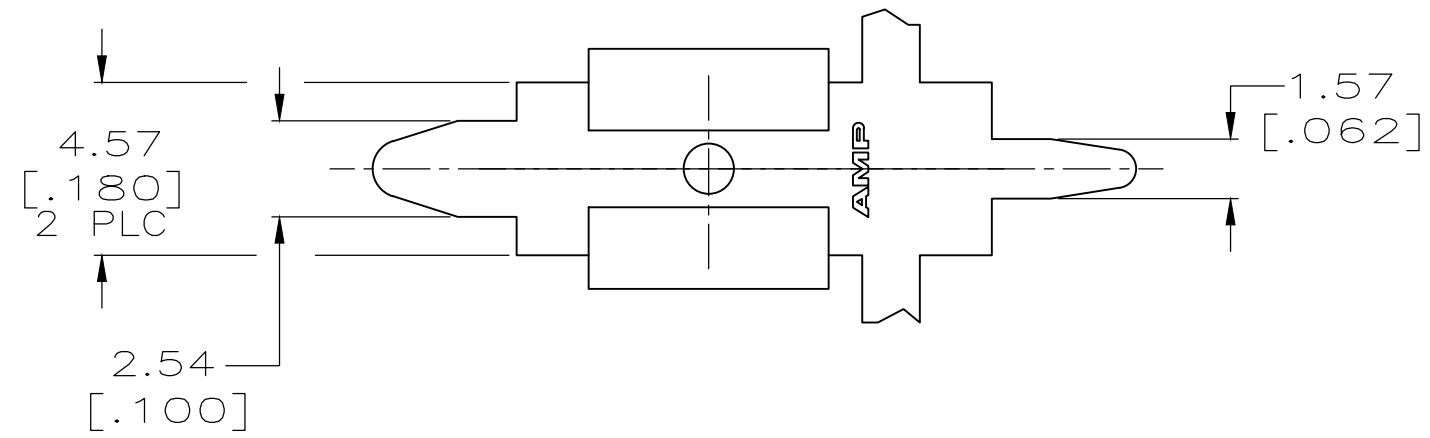


THIS DRAWING IS UNPUBLISHED. RELEASED FOR PUBLICATION .19 .
 © COPYRIGHT 19 BY AMP INCORPORATED. ALL RIGHTS RESERVED.

LOC	DIST	REVISIONS			
P	LTR	DESCRIPTION	DATE	DWN	APVD
AF	50	C1	REVISED PER ECR-18-012188	08AUG2018	BDA DH

- 1 MATING TAB THK IS 0.51 ± 0.025 $[\pm 0.020]$.
- 2 CONTINUOUS STRIP ON REELS. TO BE CUT-OFF & BENT IN INSERTION HEAD.



1217107-1
PART NO.

THIS DRAWING IS A CONTROLLED DOCUMENT.		DWN	JR RUTH	11/14/97	STE TE CONNECTIVITY			
DIMENSIONS: MM [INCHES]		CHK	MS FEHER	11/14/97				NAME RECEPTACLE, FASTON, 6.35 [.250] SERIES
TOLERANCES UNLESS OTHERWISE SPECIFIED:		APVD	P DESANTIS	11/14/97	SIZE	CAGE CODE	DRAWING NO	
0 PLC	±-	PRODUCT SPEC	-		A3	00779	C- 1217107	-
1 PLC	±-	APPLICATION SPEC	-		CUSTOMER DRAWING			SCALE
2 PLC	±0.13 [.005]	WEIGHT	-		5:1			SHEET
3 PLC	±-	MATERIAL	H04 PHOS BRONZE		1 OF 1			REV
4 PLC	±-	FINISH	0.002032 [.000080] MIN TIN		C1			
ANGLES	±-							