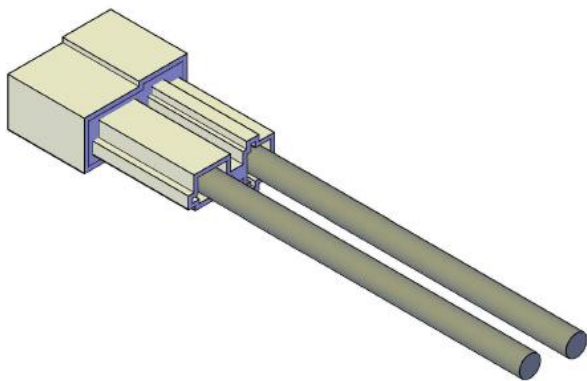
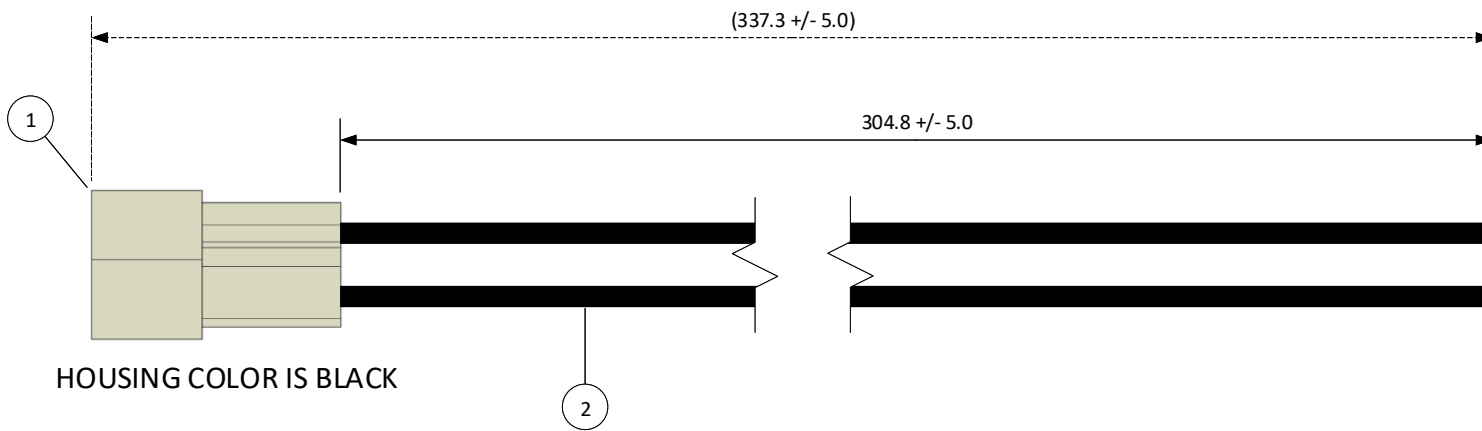


THIS DRAWING CONTAINS INFORMATION THAT IS PROPRIETARY TO J.S.T. AND SHALL NOT BE USED OR SHOWN WITHOUT WRITTEN PERMISSION.

| | 4 | | 3 | 2 | 1 |
|------|--------------------|-----------------------------------|-----------|-----------|--------------------|
| ITEM | CONNECTOR PART NO. | DESCRIPTION | IPI CHECK | EOR CHECK | Applicable Tooling |
| 1 | RSFR-2-LM | RSF CONNECTOR BLACK HOUSING, W-W | | | APPLICATOR |
| 2 | SIM-51T-250N | TAB-IN CONTACT – BRASS TIN-PLATED | | | |
| 3 | UL1015, 16 AWG | BLACK | | | |



| | | |
|--|--|----------------------|
| SCALE 1: 1 | CUSTOMER NAME | CUSTOMER PART NO. |
| DIMENSIONS All dimensions are in MM with a tolerance of +/- 3.0 unless otherwise specified. | DESCRIPTION 12" INSIDE LENGTH – 2 POSITION, LIF, POS LOCK, .250, W-W INSULATED RECTP W/BLUNT LEADS, BLACK HSG MATES W/W-W PLUG 02RSFP16K305K | |
| DRAWN BY STEVEN PILKINGTON | ASSEMBLY PART NO. A02RSFR16K305K | |
| CHECKED BY JUSTIN BAKER | DRAWING NO. & REVISION GAM-144 | REVISED 3/16/2016 |

| REV. | DESCRIPTION | DATE | BY |
|------|-------------|------|----|
|------|-------------|------|----|