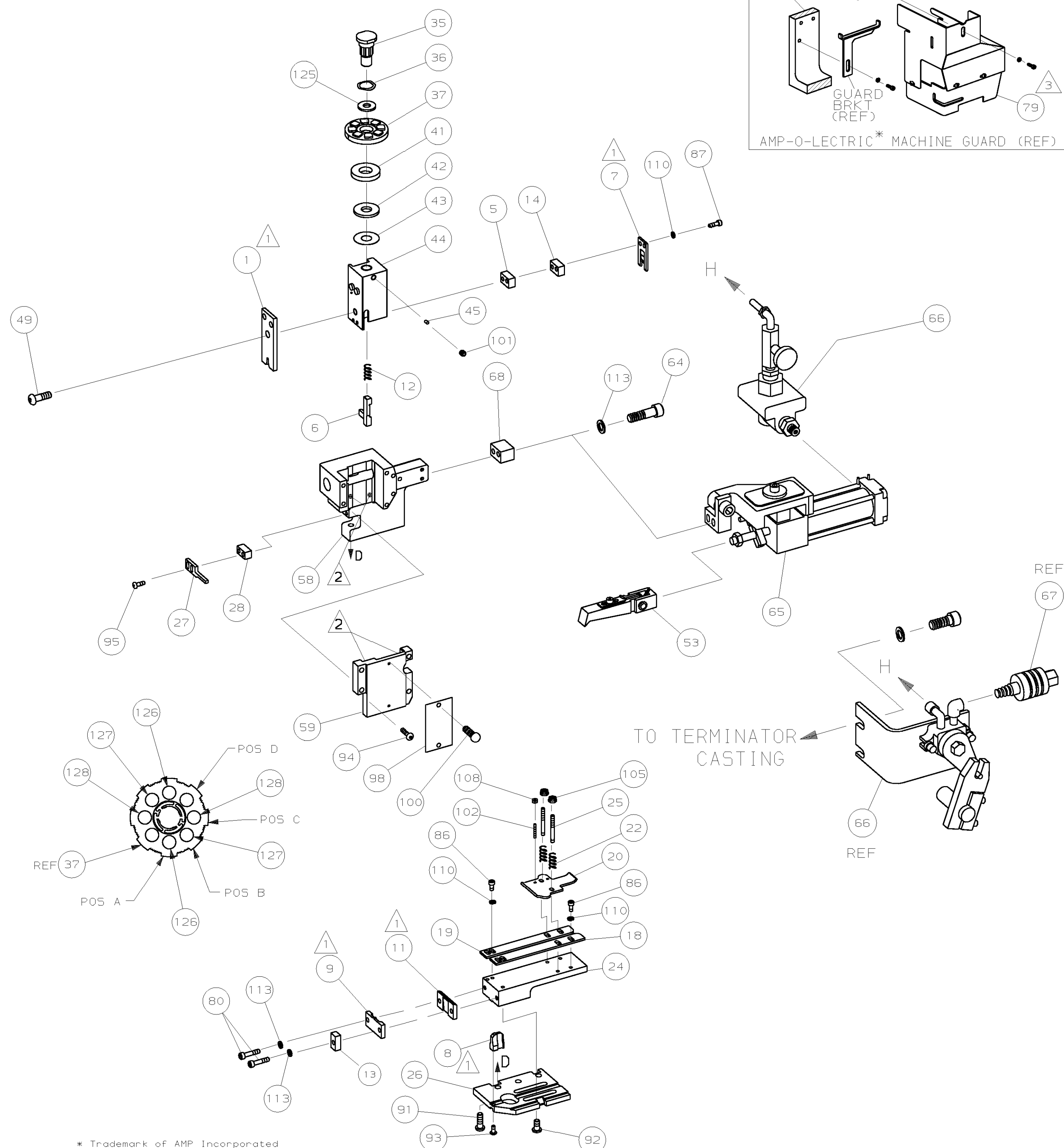
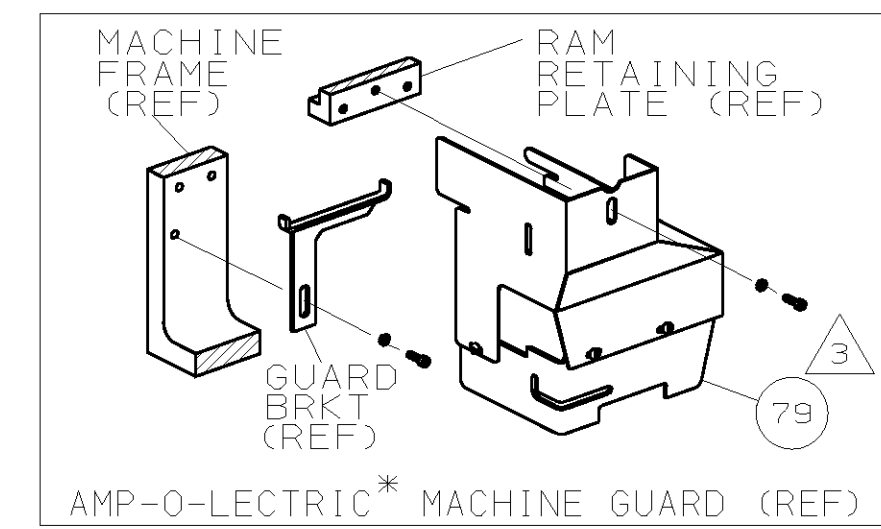


PART NUMBER	REV	FIRST USED
680000-1	B	565435-5



* Trademark of AMP Incorporated

- ① RECOMMENDED SPARE PARTS.
- ② GREASE LIGHTLY.
- ③ GUARD MUST BE IN PLACE WHEN OPERATING APPLICATOR IN AMP-O-LECTRIC MACHINE.
- ④ SEE DRAWING FOR COMPONENTS

TERMINAL NAME:		CRIMPING DATA			
TAB, FASTIN-FASTON, AMPLIVAR 187 SERIES		PAD LTR	CRIMP HEIGHT	WIRE SIZE	
62447-2		A	.061 ±.002	17.5	
		B	.059 ±.002	18.5 OR (2)21	
		C	.055 ±.002	21	
		D	NOT	USED	
		CRIMP	SIZE	TYPE	RANGE
		WIRE	.110	F	21-17.5
		INSUL	-	-	-
		FEED	APPL INST	SET UP GAGE	LAYOUT
		1.065	A1 8039	458638-1	L1469
TERM APPL SPEC 114-02023		WIRE STRIP LENGTH		-	

QTY	REV	DESCRIPTION	PART NO	ITEM NO
2	-	C	2-354779-4	PIN, WIRE DISC (.3110)C 129
2	-	C	1-354779-4	PIN, WIRE DISC (.3060)B 128
2	-	C	1-354779-1	PIN, WIRE DISC (.3045)A 126
1	-	A	986950-1	WASHER, FLAT PRECISION 125
				124
				123
				122
				121
				120
				119
				118
				117
				116
				115
				114
4	-	A	21024-5	WASHER, LOCK (NO. 10) SHEAR PL 113
				112
				111
6	-	A	21024-4	WASHER, LOCK (NO. 8) SHEAR BL 110
				109
2	-	A	21018-4	NUT, HEX (4-40) DRAG 108
				107
				106
2	-	A	21022-2	NUT, HEX SL (8-32) DRAG STUD 105
				104
				103
2	-	A	4-21078-8	SKT SKT SET (4-40x.75) DRAG 102
1	-	A	21009-2	SCR, SKT SET (1/4-20x.25) RAM 101
2	-	A	21017-2	SCR, DRIVE (#2x.19) ID PLATE 100
				99
1	-	B	461264-1	PLATE, IDENTIFICATION 98
				97
				96
2	-	A	2-21002-2	SCR, BHC (8-32x.50) STRIPPER 95
4	-	A	2-21002-9	SCR, BHC (10-32x.75) CAP 94
1	-	A	22733-8	SCR, BHC (8-32x.38 LW) ANVIL 93
4	-	A	3-21002-3	SCR, BHC (1/4-20x.50) ST 6D PL 92
3	-	A	2-22733-8	SCR, BHC (1/4-20x.62) H5G 91
				90
				89
				88
2	-	A	2-21000-9	SCR, 5HC (8-32x.75) SLUG BLADE 87
4	-	A	2-21000-5	SCR, 5HC (8-32x.25) STRIP GUIDE 86
				85
				84
				83
				82
				81
2	-	A	3-21000-9	SCR, SKT CAP (10-32x1.00) 5H PL 80
1	-	A	455750-8	GUARD ASSY 79
				78
				77
				76
				75
				74
				73
				72
				71

QTY	REV	DESCRIPTION	PART NO	ITEM NO
				70
				69
1	-	A	461690-1	SPACER, AIR FEED 68
REF	-	A	24042-2	VALVE, SHUT OFF 67
1	-	B	692655-5	VALVE ASSY 66
1	-	B	460277-2	AIR FEED ASSY 65
2	-	A	4-21000-3	SCR, 5HC (10-32x2.00) AIR FD ASSY 64
				63
				62
				61
				60
1	-	C	454220-1	CAP, RAM 59
1	-	D	453736-1	HOUSING 58
				57
				56
				55
				54
1	-	B	460680-1	FEED FINGER ASSY 53
				52
				51
				50
1	-	A	7-21002-9	BOLT, CRIMPER (5/16-24x1.00) 49
				48
				47
				46
1	-	A	690191-1	PLUG, NYLON 45
1	-	C	455674-1	RAM 44
1	-	A	690125-1	WASHER, LAMINATED 43
1	-	A	690124-1	WASHER, RAM 42
1	-	A	690223-2	SPACER, INSULATION DISC 41
				40
				39
				38
1	-	D	354777-1	WIRE DISC, PLASTIC 37
1	-	A	22480-5	WASHER, SPRING 36
1	-	B	690212-1	POST, RAM 35
				34
				33
				32
				31
				30
				29
1	-	B	3-690451-2	SPACER, STRIPPER 28
1	-	A	240639-1	STRIPPER 27
1	-	D	455676-1	PLATE, BASE 26
2	-	A	22354-8	DRAG, STUD 25
1	-	B	455678-1	PLATE, STRIP GUIDE 24
				23
2	-	A	4-22281-1	SPRING, DRAG 22
				21
1	-	A	454177-1	DRAG, STOCK 20
1	-	B	458030-9	GUIDE, STRIP (REAR) 19
1	-	C	458031-9	GUIDE, STRIP (FRONT) 18
				17
				16
				15
1	-	C	240641-1	SPACER, SLUG BLADE 14
1	-	C	1-690481-0	SPACER, HOLD DOWN 13
1	-	A	23846-1	SPRING, HOLD DOWN 12
1	-	B	240644-1	PLATE, REAR SHEAR 11
				10
1	-	B	690482-1	PLATE, FRONT SHEAR 9
1	-	D	1-456537-9	ANVIL 8
1	-	B	690474-2	BLADE, SLUG 7
1	-	D	455892-3	HOLD DOWN, TERMINAL 6
1	-	C	2-240641-7	SPACER, SLUG BLADE 5
				4
				3
				2
1	-	C	463223-1	CRIMPER, WIRE 1

REV	U/M	DWG SIZE	PART NO	DESCRIPTION	ITEM NO
-1	U/M			REVISION OF EACH ASSY NO (WHEN BLANK, USE DWG REVISION)	

REV	U/M	DWG SIZE	PART NO	DESCRIPTION	ITEM NO
-1	U/M			REVISION OF EACH ASSY NO (WHEN BLANK, USE DWG REVISION)	

LOC A
DIST 66

DIMENSIONS IN INCHES. DO NOT SCALE PRINT. TOLERANCES UNLESS OTHERWISE SPECIFIED:
 1 M. O'BRINE
 2 PLC DEC ±.25
 3 PLC DEC ±
 4 PLC DEC ±
 ANGLES ±
 SURF TEXTURE: ✓
 REMOVE BURRS, BREAK SHARP EDGES R.015 MAX

MATL - HT TR - FIN -
 DR 4/15/93 APP -
 M. O'BRINE
 CHK - REL -
 NAME: END FEED HDM APPLICATOR MACHINE REF
 SCALE: 1 OF 1 DWG NO: 680000 SHEET REV: B

AMP Incorporated Harrisburg, PA 17105-3608

THIS DRAWING IS A CONTROLLED DOCUMENT.

THIS DRAWING IS UNCLASSIFIED DATE 05/18/95 BY AMP INCORPORATED. ALL RIGHTS RESERVED.