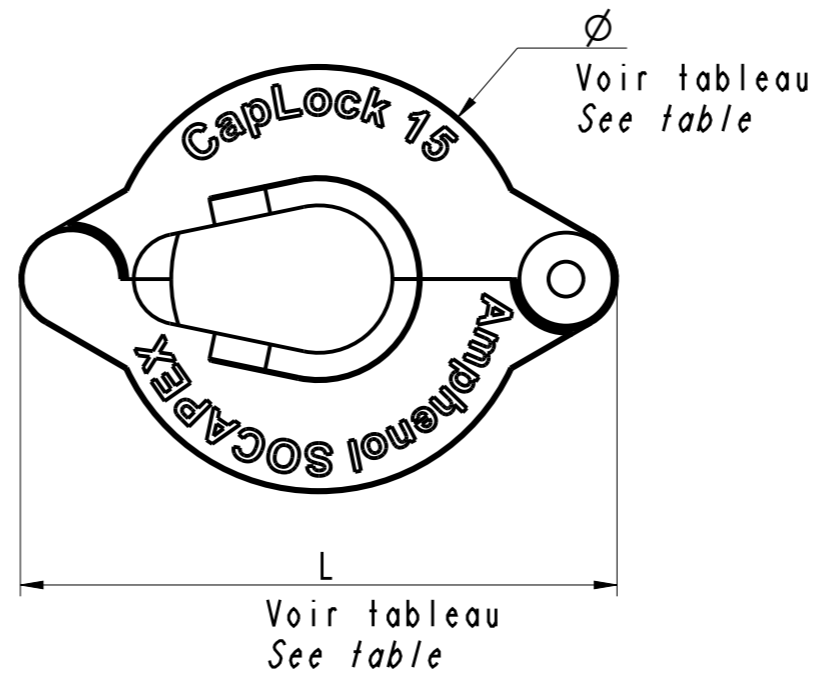
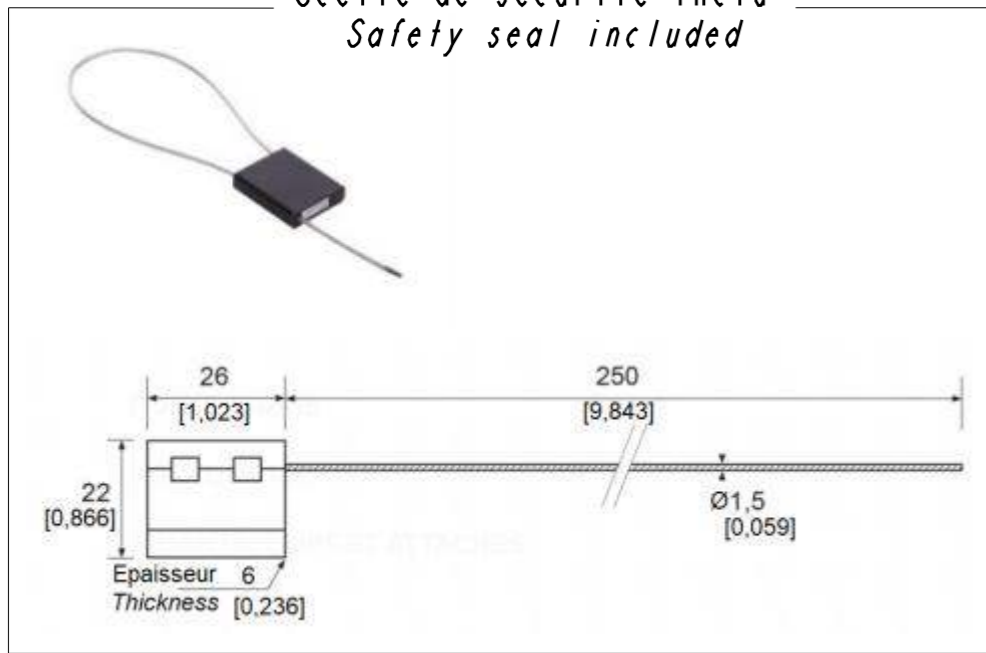
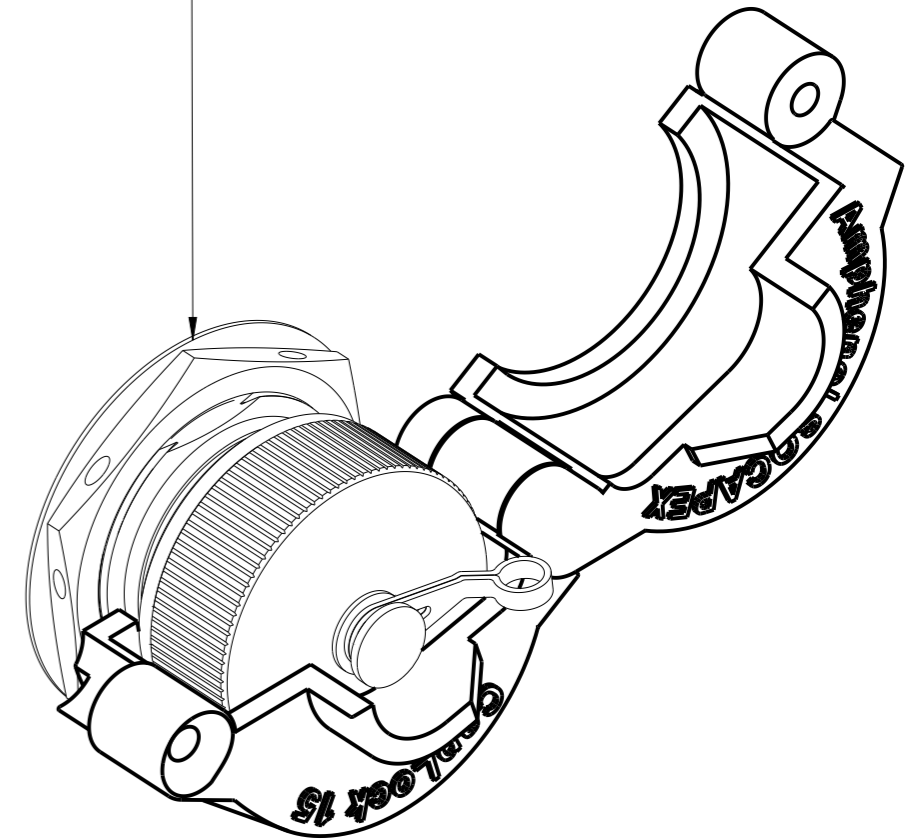


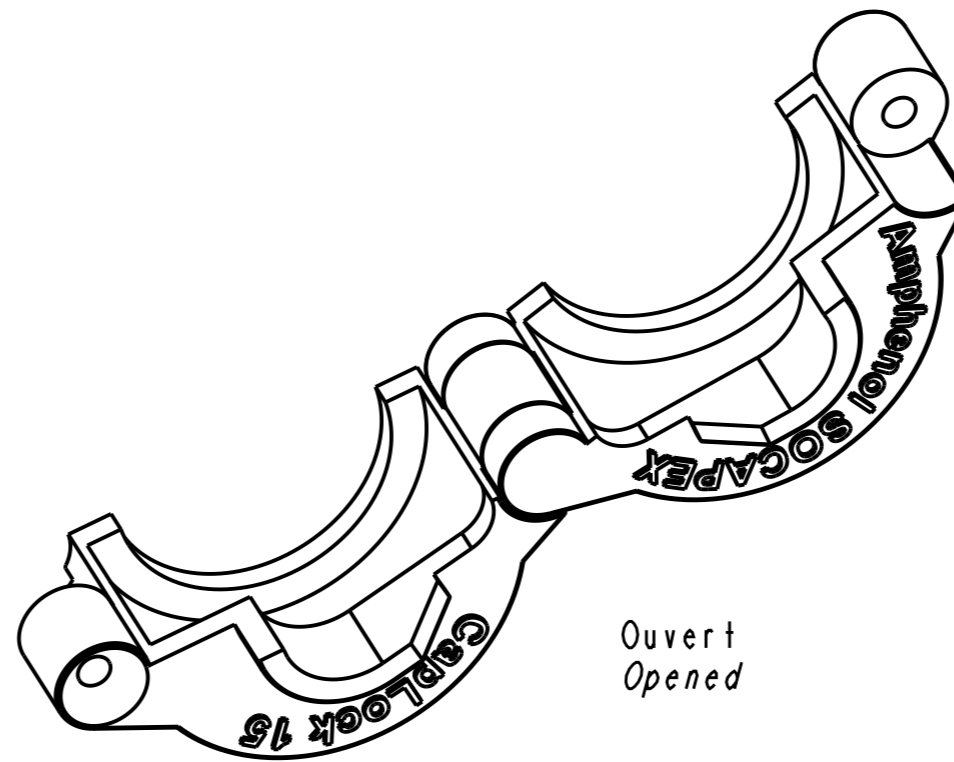
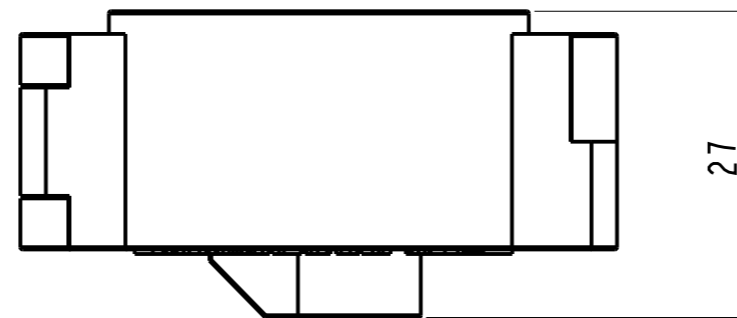
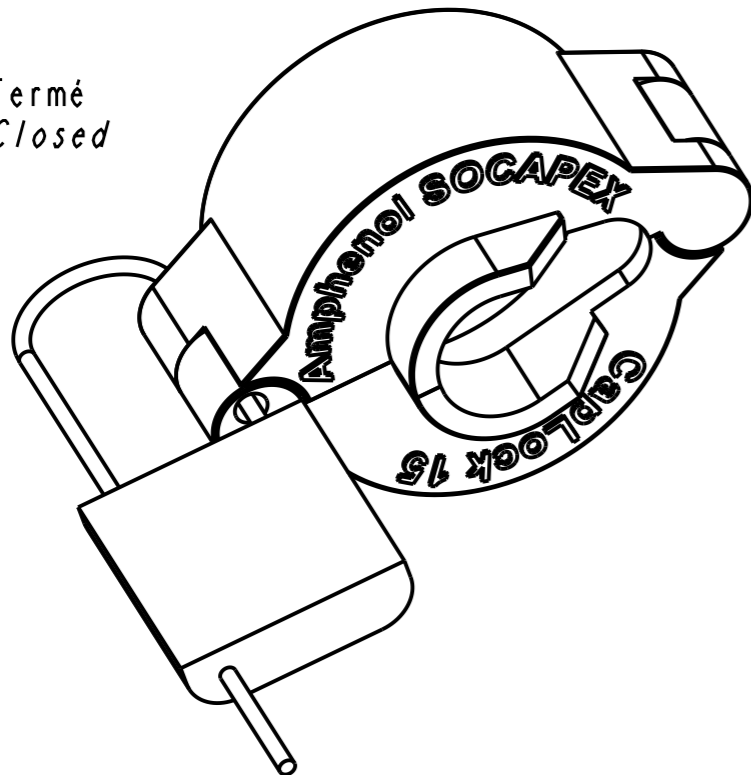
Scellé de sécurité inclu
Safety seal included



Embase + bouchon
type MIL-DTL-38999 série III
Receptacle + protective cap
type MIL-DTL-38999 serie III



Fermé
Closed



Ouvert
Opened

Taille (voir tableau)
Size (see table)

Scellé de sécurité inclu
Safety seal included

CapLock 15 WR

Bouchon plastique de cybersécurité
verrouillable pour embases
type MIL-DTL-38999 série III.

Lockable plastic cybersecurity cap for
type MIL-DTL-38999 serie III
receptacles.

Shell size	Ø ±0.2/[0.008]	L ±0.2/[0.008]
T09	28.6 / [1.102]	43.6 / [1.692]
T11	33.6 / [1.299]	48.6 / [1.889]
T13	36.6 / [1.417]	51.6 / [2.007]
T15	37.6 / [1.456]	52.6 / [2.047]
T17	42.6 / [1.653]	57.6 / [2.244]
T19	44.6 / [1.732]	59.6 / [2.322]
T21	47.6 / [1.850]	62.6 / [2.440]
T23	50.6 / [1.968]	65.6 / [2.559]
T25	54.6 / [2.125]	69.6 / [2.716]

IN THE CONSTANT PURPOSE OF IMPROVING ITS PRODUCTS, Amphenol Socapex RESERVES THE RIGHT TO MODIFY ANY DIMENSION OR CHARACTERISTICS. FM.NPD.0076.THYZE.PUNE rev A

APPROVAL FOR MANUFACTURING Add missing specifications on the drawing if necessary (specific labellings, tolerances,...)		DRAWN BY : G TURPIN	UPDATED BY : L WALASZEK	LAST APPROVED BY : M RINSANT
CUSTOMER :	PROGRAM :	ALL DIMENSIONS ARE IN MM		ORIGINAL DRAWING DATE : 17/02/22
CUSTOMER SIGNATURE	Name :	SCALE : 1,5	CONFIGURATION DATA ARE AVAILABLE IN PDM	
	Date :	AMPHENOL SOCAPEX		REV : C PAGE : 1/1
		B.P. 29 74311 THYZE CEDEX		191-PLC-1071-00