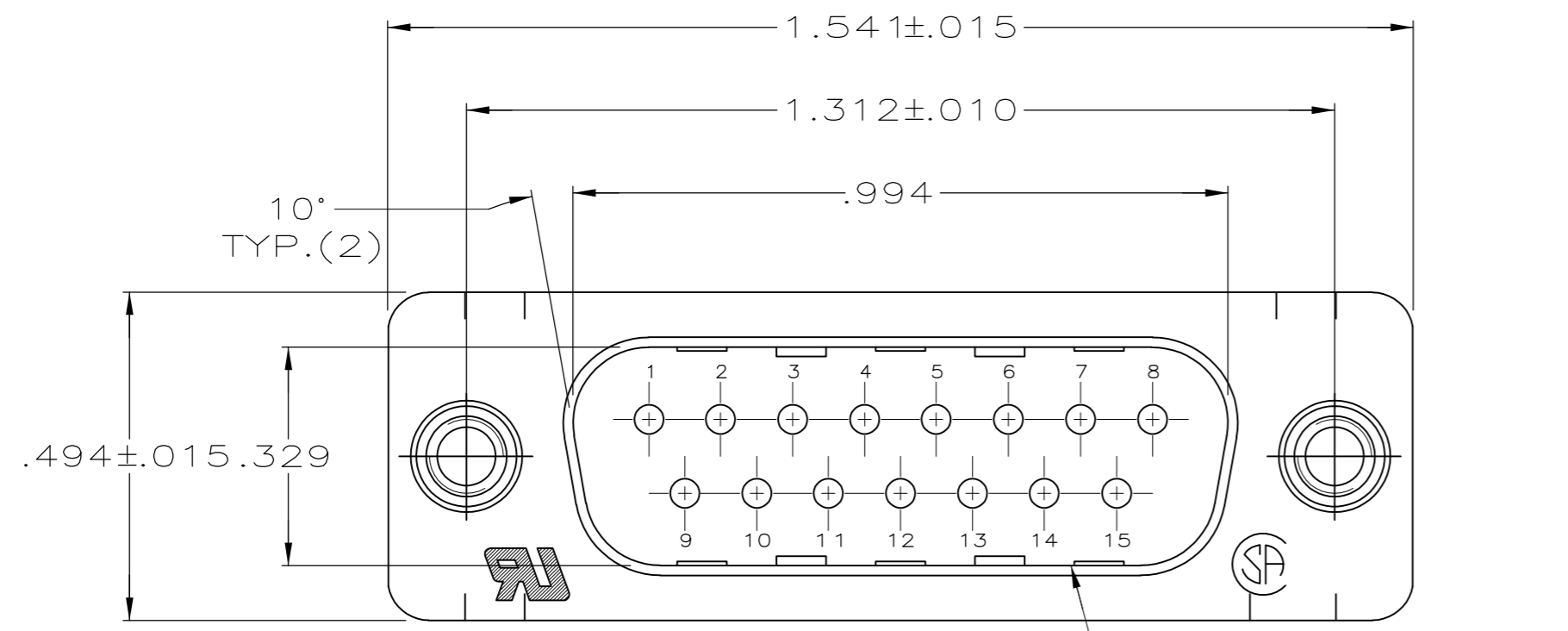
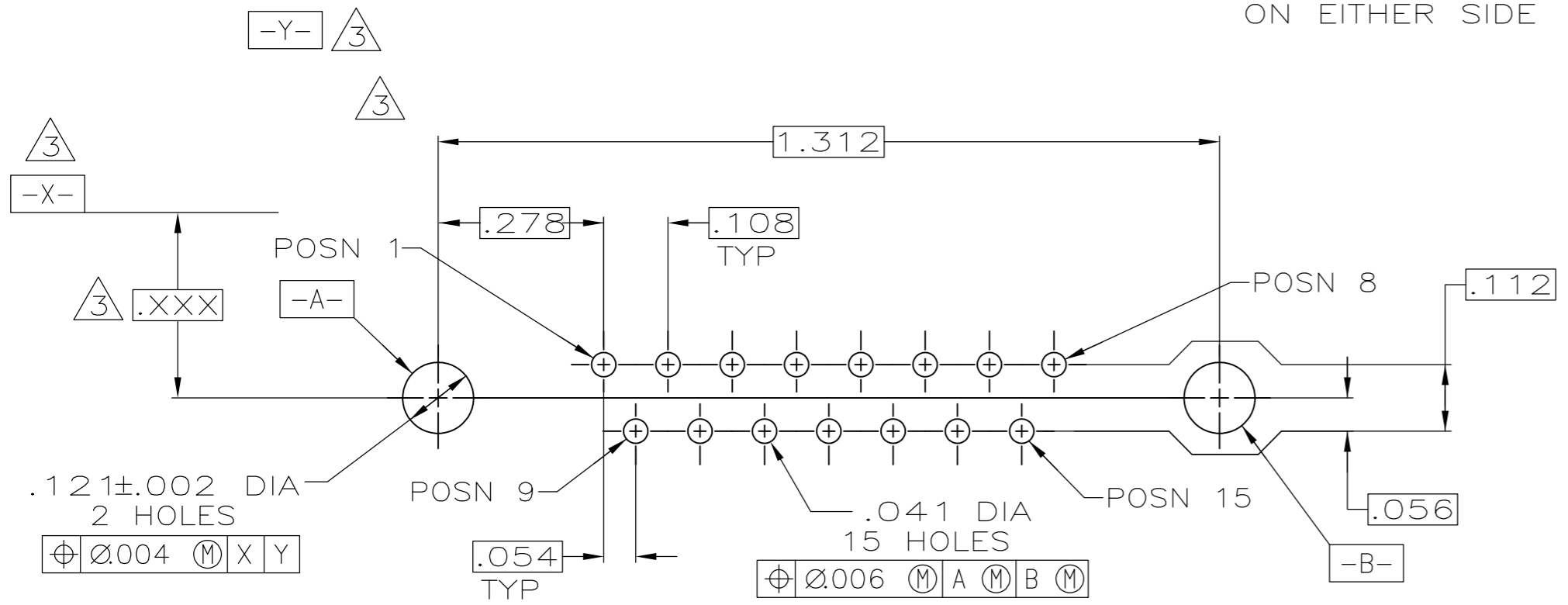
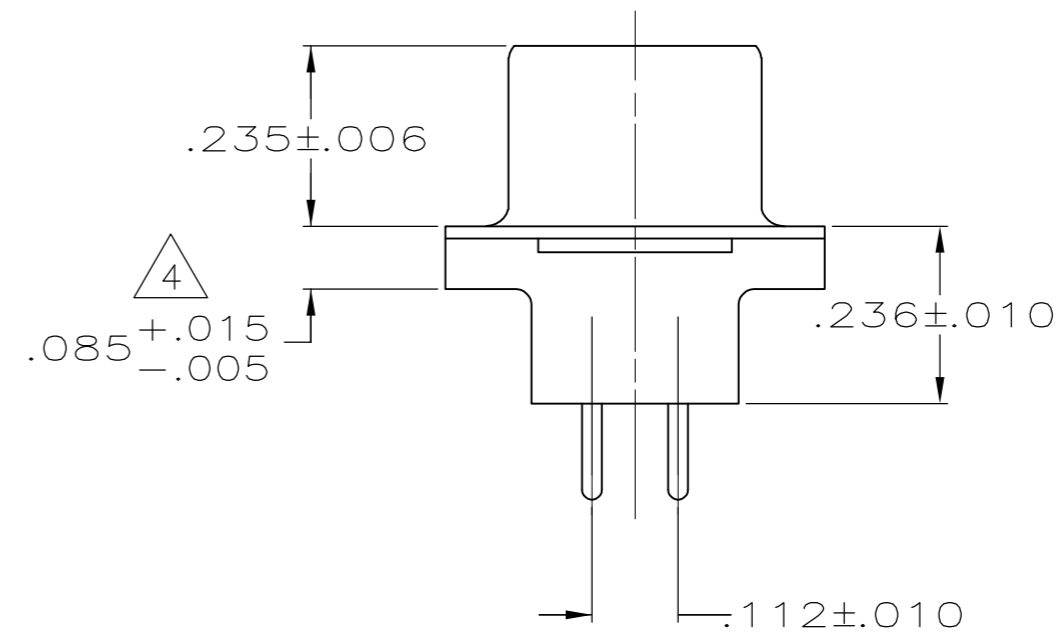
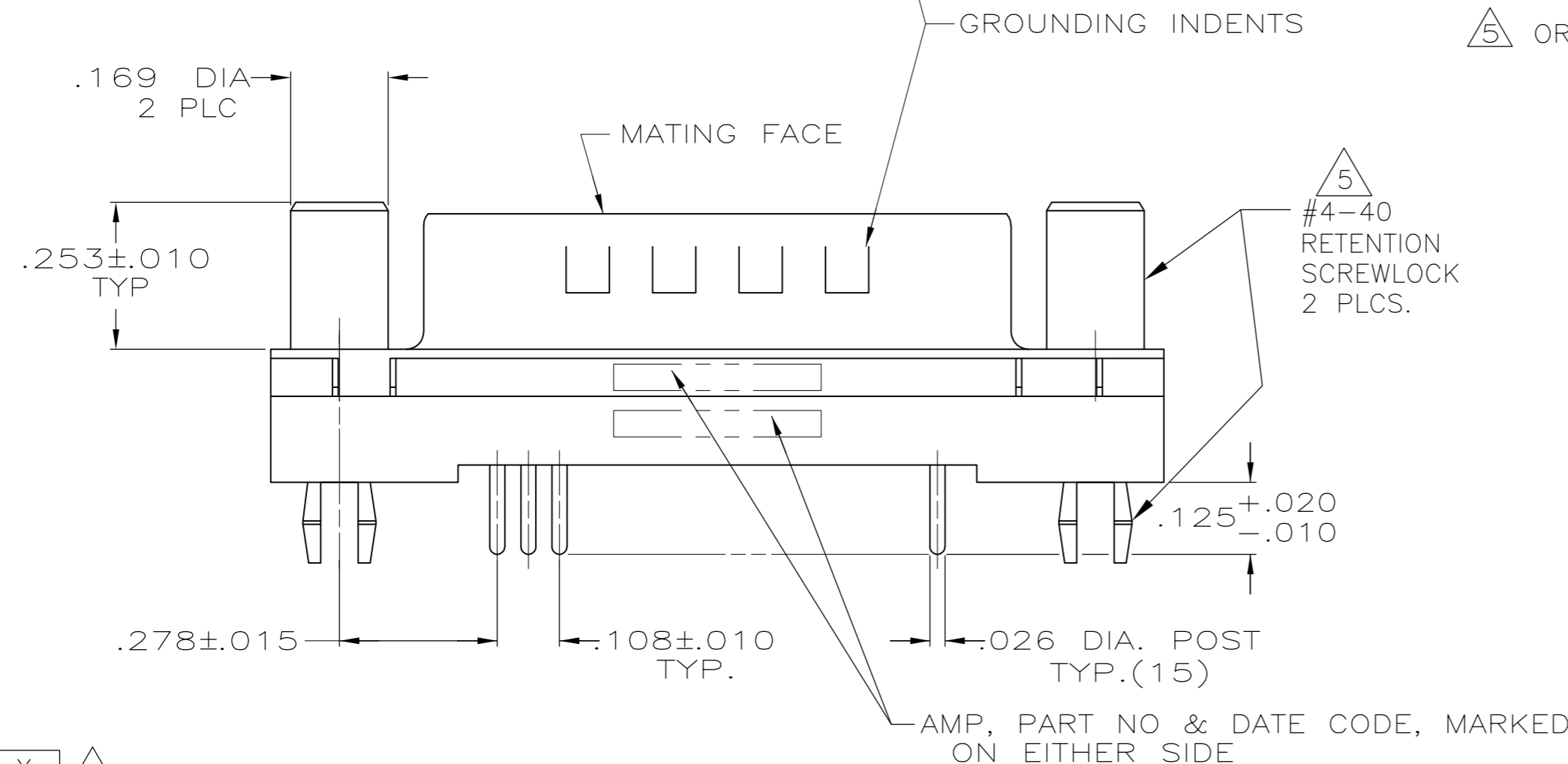


THIS DRAWING IS UNPUBLISHED. RELEASED FOR PUBLICATION  
 © COPYRIGHT BY TYCO ELECTRONICS CORPORATION. ALL RIGHTS RESERVED.

LOC		DIST		REVISIONS			
P	LTR	DESCRIPTION	DATE	DWN	APVD		
GP	00						
	L	REVISED PER ECO-09-024765	14JAN2010	CR	SB		



- 1 HOUSING: FLAME RETARDANT 94V-0 RATED THERMOPLASTIC, BLACK  
SHELLS: CARBON STEEL  
CONTACTS: BRASS  
SCREWLOCKS: BRASS
- 2 SHELLS: .000200 MIN TIN OVER .000100 MIN COPPER.  
SCREWLOCKS: .000100 MIN TIN-LEAD OVER .000050 MIN NICKEL OVER COPPER FLASH.  
CONTACTS: GOLD PLATED FOR A LENGTH OF .150 FROM MATING END, .000030 MIN GOLD IN MATED AREA, .000100-.000200 BRIGHT TIN OR BRIGHT TIN-LEAD ON SOLDER END, ALL OVER .000050 MIN NICKEL ON ENTIRE CONTACT.  
-OR-  
GOLD FLASH OVER PALLADIUM NICKEL PLATED FOR LENGTH OF .150 FROM MATING END, .000030 MIN PALLADIUM NICKEL IN MATED AREA, .000100-.000200 BRIGHT TIN OR BRIGHT TIN-LEAD ON SOLDER END, ALL OVER .000050 MIN NICKEL ON ENTIRE CONTACT.
- 3 DATUMS AND BASIC DIMENSIONS ESTABLISHED BY CUSTOMERS.
- 4 .110 MAX IN SHELL TAB CLINCH AREAS.
- 5 ORIENTATION IS OPTIONAL AND MAY NOT BE AS SHOWN.



PC BOARD MOUNTING DIMENSIONS  
 CONNECTOR SIDE OF BOARD  
 .062 PC BOARD THICKNESS

748026-1  
 PART NUMBER

THIS DRAWING IS A CONTROLLED DOCUMENT.		DWN S. WELDON 5-9-85	Tyco Electronics Corporation Harrisburg, PA 17105-3608	
DIMENSIONS: INCHES		CHK J. GERACE 7-17-85	NAME	
TOLERANCES UNLESS OTHERWISE SPECIFIED:		APVD -	PRODUCT SPEC 108-40025	
0 PLC ± -		APPLICATION SPEC 114-40023		
1 PLC ± -		SIZE A2		
2 PLC ± -		CAGE CODE 00779		
3 PLC ± .005		DRAWING NO C=748026		
4 PLC ± -		RESTRICTED TO -		
ANGLES ± -		SCALE NTS		
FINISH		SHEET 1 of 1		
MATERIAL 1		REV L		
FINISH 2		CUSTOMER DRAWING		