

DWG. 10.  
SD-35454-001

SIMILAR ITEM

PROJECT NO.

C

B

DO NOT SCALE DRAWING  
DIMENSION IN METRIC

8 7 6 5 4 3 2 1

F

E

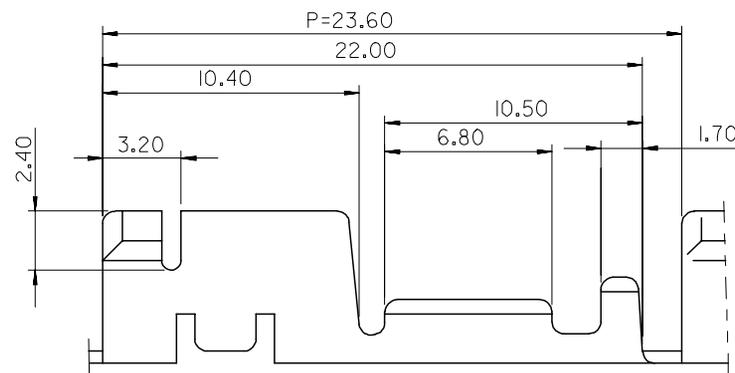
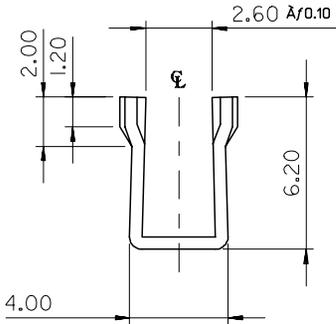
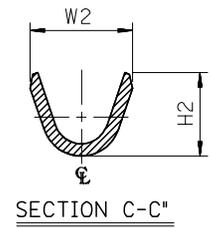
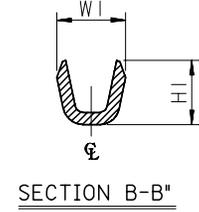
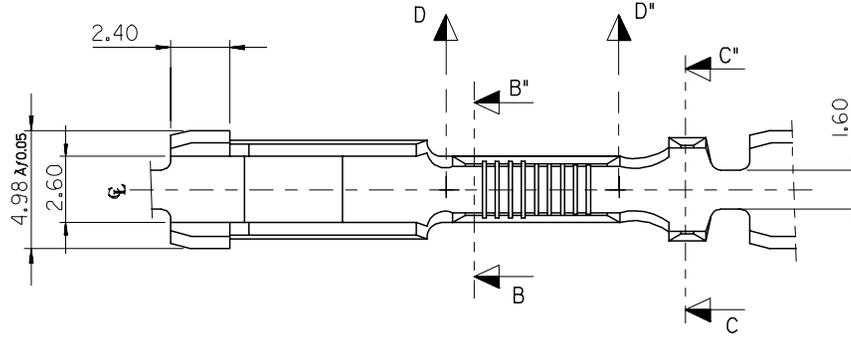
D

C

B

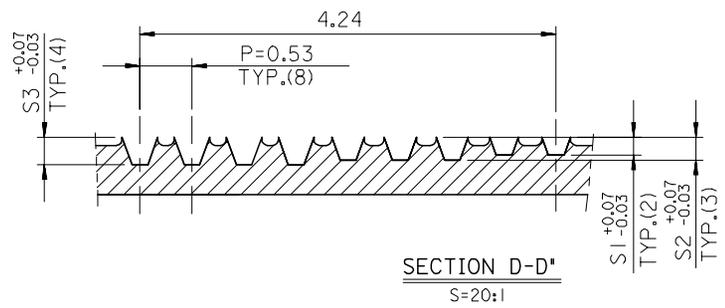
A

MX-A3



- NOTES
- MATERIAL: PHOSPHER BRONZE  
0.5mm THICK
  - FINISH: POST TIN PLATING
  - MATED PIN DIA.: 3.18mm

ENG.NO.	DIMENSION							WIRE RANGE CMA
	W1	H1	W2	H2	S1	S2	S3	
35454-8702	2.7	2.6	4.2	3.6	0.08	0.13	0.18	1600 400
35454-8902	3.4	4.0	5.1	4.2	0.10	0.15	0.20	4200 1500
35454-8002	4.2	4.8	5.2	5.7	0.13	0.18	0.23	8000 4000



REDRAWN EC NO. KOR2005-0221 DRWN: J.B.JIN 05/06/18 CHK: W.Y.YANG APPR: C.W.LEE	QUALITY SYMBOLS MAJOR = 0 CRITICAL = 0	GENERAL TOLERANCES: (UNLESS SPECIFIED)		SCALE 5:1	DESIGN UNITS <input checked="" type="checkbox"/> mm <input type="checkbox"/> INCH	THIRD ANGLE PROJECTION	DIMENSIONS: <input type="checkbox"/> mm <input type="checkbox"/> INCH <input type="checkbox"/> mm <input type="checkbox"/> INCH	SHT REV
		DRAWN BY & DATE W.Y.YANG 00/08/14	CHECKED BY & DATE B.K.CHOI 00/08/14	TITLE: COMP TERMINAL-(S),(L) (MAGNET WIRE)		APPROVED BY & DATE C.W.LEE 00/08/14		MOLEX INCORPORATED
A2	DESCRIPTION	ANGULAR: ± 3.0°		CAD FILENAME 54548702.DGN	MATERIAL NO. SEE TABLE	DRAWING NO. SD-35454-001	SHEET NO. 1/1	SIZE B

THIS DRAWING CONTAINS INFORMATION THAT IS PROPRIETARY TO MOLEX INCORPORATED AND SHOULD NOT BE USED WITHOUT WRITTEN PERMISSION.