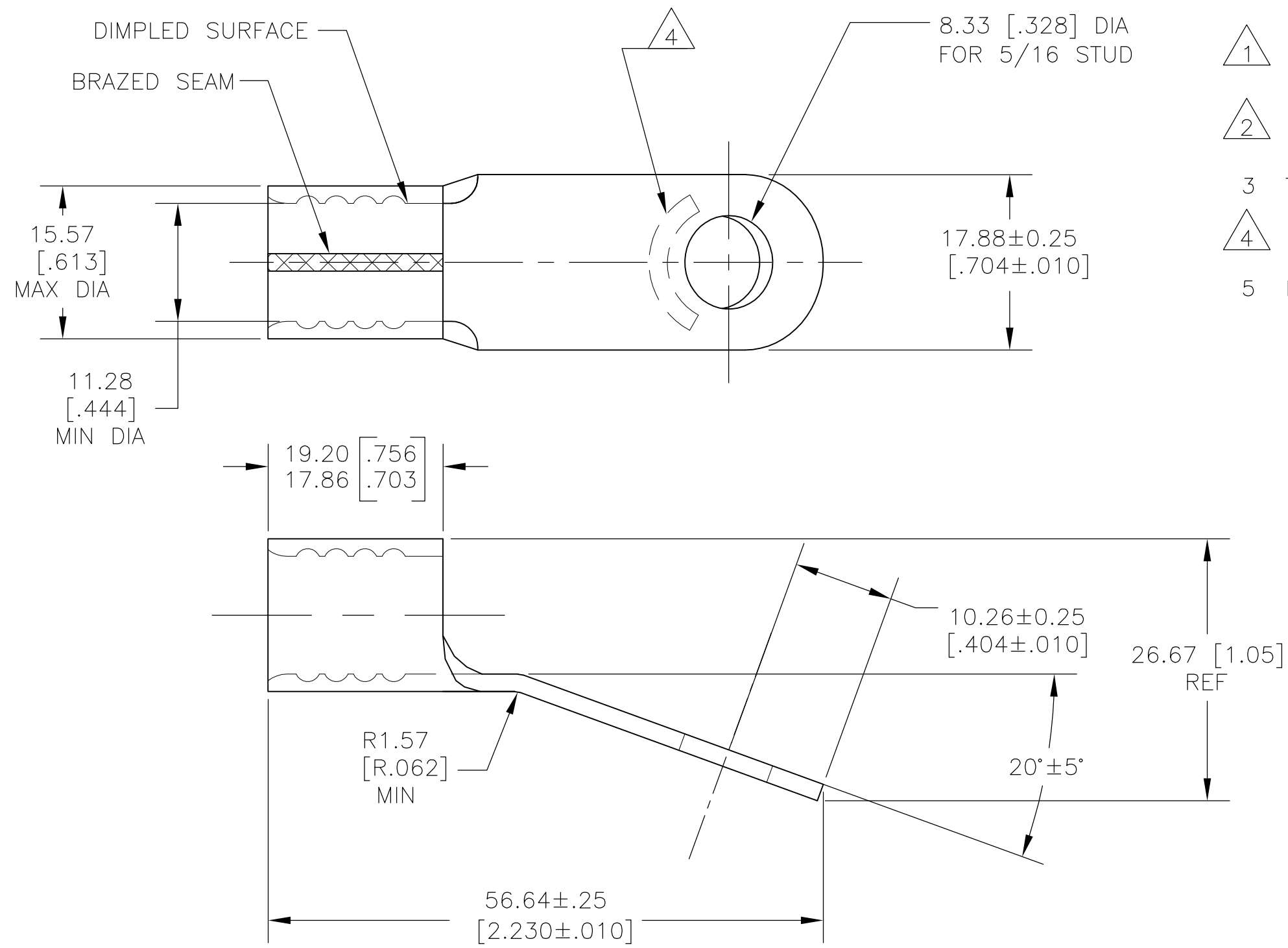


THIS DRAWING IS UNPUBLISHED. RELEASED FOR PUBLICATION
 © COPYRIGHT BY TYCO ELECTRONICS CORPORATION. ALL RIGHTS RESERVED.

LOC	DIST	REVISIONS			
P	LTR	DESCRIPTION	DATE	DWN	APVD
G	14	A1	REVISED PER ECO-10-020397	09OCT10	HMR DR



- 1 COPPER PER ASTM B-152, ANNEALED
- 2 NICKEL PLATE PER QQ-N-290, 0.00762 [.000300] MIN THK.
- 3 TONGUE MATERIAL THK IS 1.78±0.08 [.070±.003]
- 4 STAMP "AMP 1/0W*", APPROX AS SHOWN.
- 5 NOTE DELETED

1958245-1
 PART NO

THIS DRAWING IS A CONTROLLED DOCUMENT.		DWN jr_ruth 21JUL08	Tyco Electronics Corporation Harrisburg, PA 17105-3608													
DIMENSIONS: MM [INCHES]		CHK RAY LANDON 21JUL08	NAME TERMINAL, RING TONGUE, STRATOTHERM, 1/0													
TOLERANCES UNLESS OTHERWISE SPECIFIED:		APVD RAY LANDON 21JUL08	PRODUCT SPEC -													
<table border="0"> <tr><td>0 PLC</td><td>± -</td></tr> <tr><td>1 PLC</td><td>± -</td></tr> <tr><td>2 PLC</td><td>± 0.20 [.008]</td></tr> <tr><td>3 PLC</td><td>± -</td></tr> <tr><td>4 PLC</td><td>± -</td></tr> <tr><td>ANGLES</td><td>± 5°</td></tr> </table>		0 PLC	± -	1 PLC	± -	2 PLC	± 0.20 [.008]	3 PLC	± -	4 PLC	± -	ANGLES	± 5°	APPLICATION SPEC -		RESTRICTED TO -
0 PLC	± -															
1 PLC	± -															
2 PLC	± 0.20 [.008]															
3 PLC	± -															
4 PLC	± -															
ANGLES	± 5°															
MATERIAL 1	FINISH 2	WEIGHT -	SIZE A3	CAGE CODE 00779	DRAWING NO G-1958245											
CUSTOMER DRAWING			SCALE 2:1	SHEET 1 OF 1	REV A1											