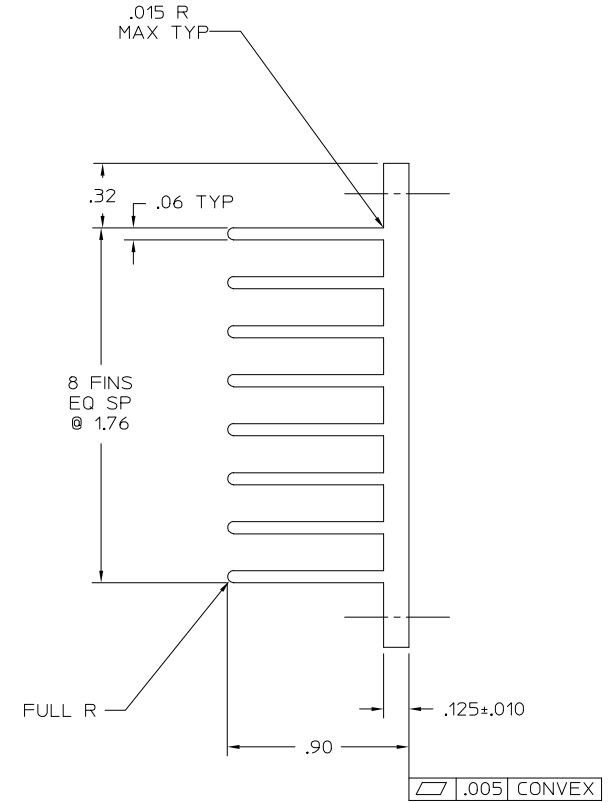
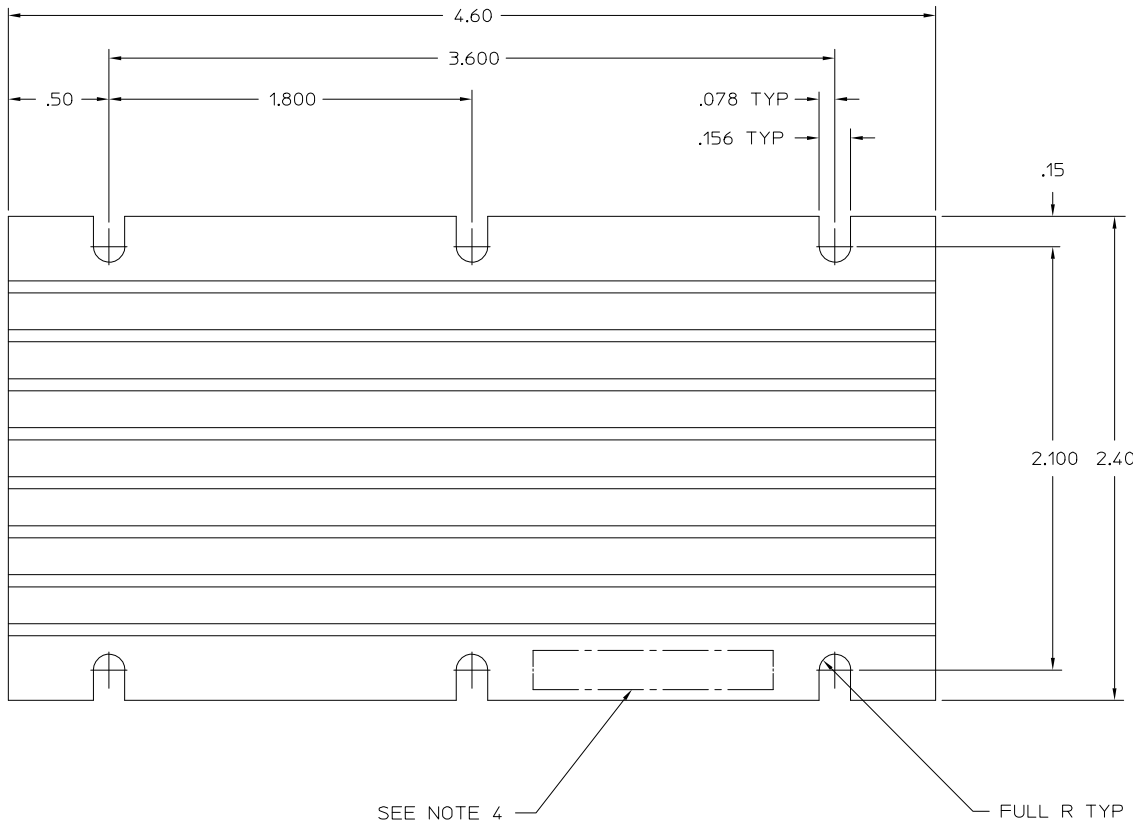


THIS DOCUMENT AND THE DATA DISCLOSED HEREIN OR HEREWITH IS NOT TO BE REPRODUCED, USED, OR DISCLOSED IN WHOLE OR IN PART TO ANYONE WITHOUT PERMISSION OF VICOR CORP.

REV.	DESCRIPTION	DATE	APPROVED
1	RELEASED PER E050349	11/15/05	ECF



FREE CONVECTION	3.3
200 LFM	2.0
600 LFM	0.84

NOTES:

1. MATERIAL: 6063-T5 ALUMINUM.
2. REMOVE ALL LOOSE AND HANGING BURRS. OTHERWISE, BURRS SHALL NOT EXCEED .003.
3. CLEAR FINISH, RoHS COMPLIANT, CHROMIUM FREE PER CST-0001, LATEST REVISION.
4. PERMANENTLY MARK PART NUMBER AND REVISION LEGIBLY IN AREA SHOWN.
5. O DENOTES CRITICAL CHARACTERISTIC FOR LOT INSPECTION.

DRAWN BY L. KNIGHT		DATE 05/19/05		 HEATSINK .9" HGT., HOR.	
<small>UNLESS OTHERWISE SPECIFIED DIMENSIONS ARE IN INCHES - TOLERANCES ARE:</small> <small>FRACTIONS DECIMALS ANGLES</small> <small>+1/64 .XX+ .01 °1°</small> <small>.XXX+ .005 °1°</small>					
THIRD ANGLE PROJECTION		SIZE C	FSCM NO. 67131	DWG NO. 30089	REV 1
DO NOT SCALE DRAWING		SCALE 1/1	SHEET 1 OF 1		