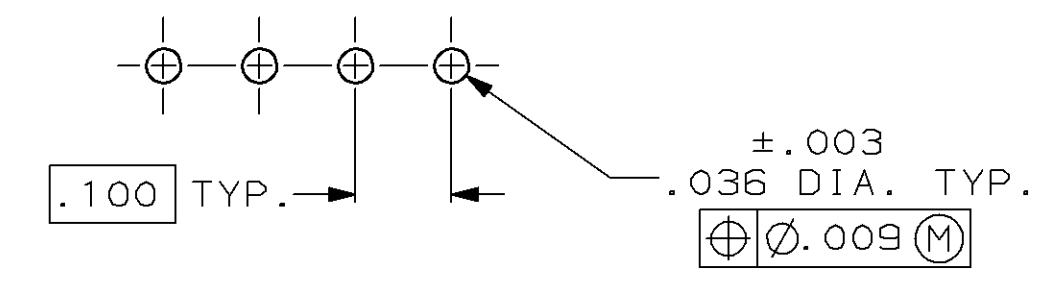
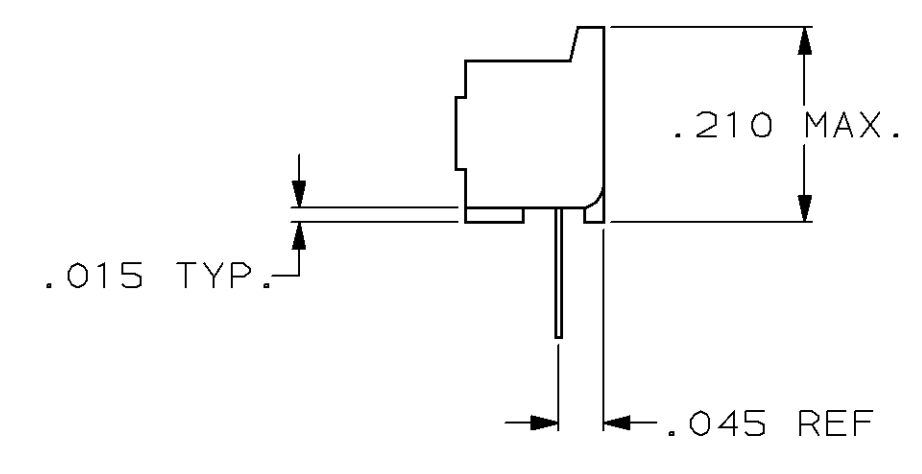
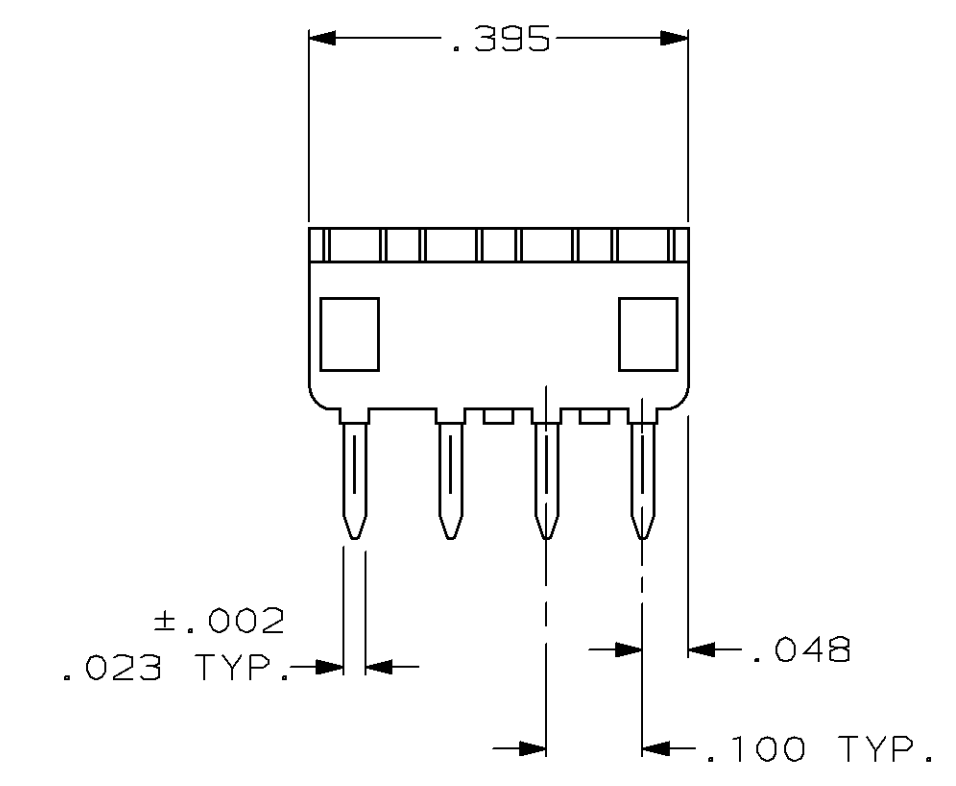
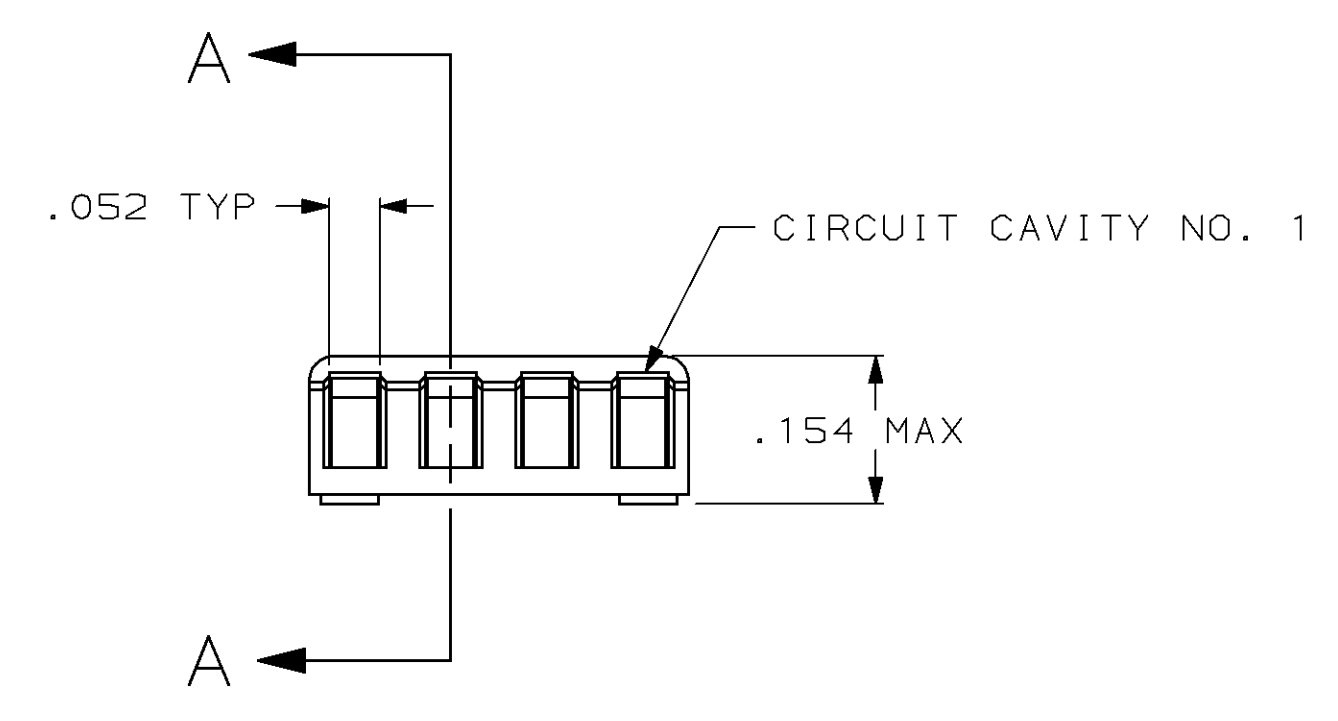
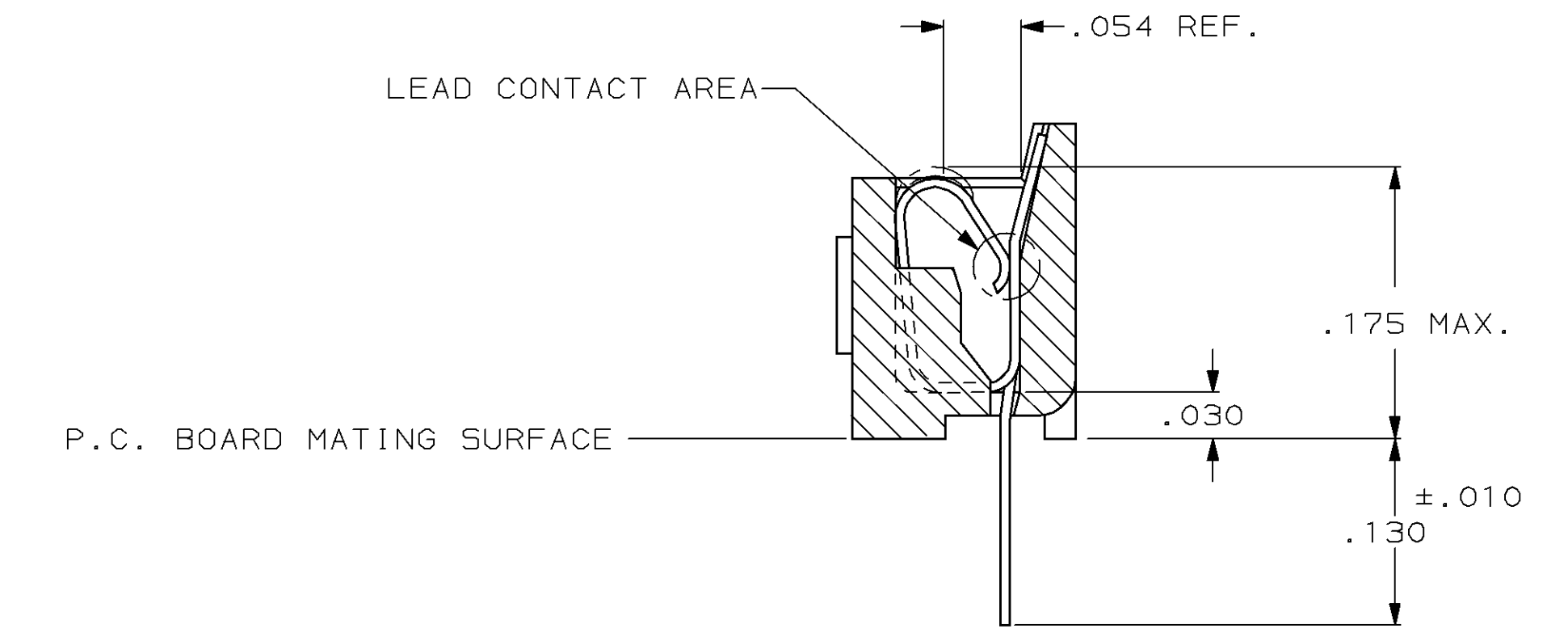


LOC	DIST	REVISIONS			
P	LTR	DESCRIPTION	DATE	DWN	APVD
FT	64				
C		REV PER EC 0320-138-97	28 APR 97	BC	GJ
D		REV PER EC 0330-35-97	21 JUL 97	DH	GJ



1. RECEPTACLE ACCEPTS AN .008-.014 THK. I.C. LEAD.



SECTION A-A  
 ROTATED 90° CW  
 SCALE 10:1

TINNED	PHOS.BRZ.	GLASS-FILLED THERMOPLASTIC, 94V-0, BLACK	382438-3
TINNED	BE.CU.	GLASS-FILLED THERMOPLASTIC, 94V-0, BLACK	382438-1
CONTACT FINISH	CONTACT MAT'L	HOUSING MATERIAL	PART NO.

THIS DRAWING IS A CONTROLLED DOCUMENT.		DWN K. SALMON	28 APR 97	<b>AMP</b> AMP Incorporated Harrisburg, PA 17105-3508
DIMENSIONS INCHES		CHK R. MILLER	NAME R. PRIDDY	
TOLERANCES UNLESS OTHERWISE SPECIFIED:		APVD R. PRIDDY		PRODUCT SPEC 108-1066
0 PLC ±-		APPLICATION SPEC 114-1049		
1 PLC ±-		SIZE A1		CAGE CODE 00779
2 PLC ±-		DRAWING NO. 382438		
3 PLC ±.005		RESTRICTED TO		REV D
4 PLC ±-		CUSTOMER DRAWING		
ANGLES ±-		SCALE 5:1		SHEET 1 OF 1
FINISH SEE TABLE		WEIGHT -		