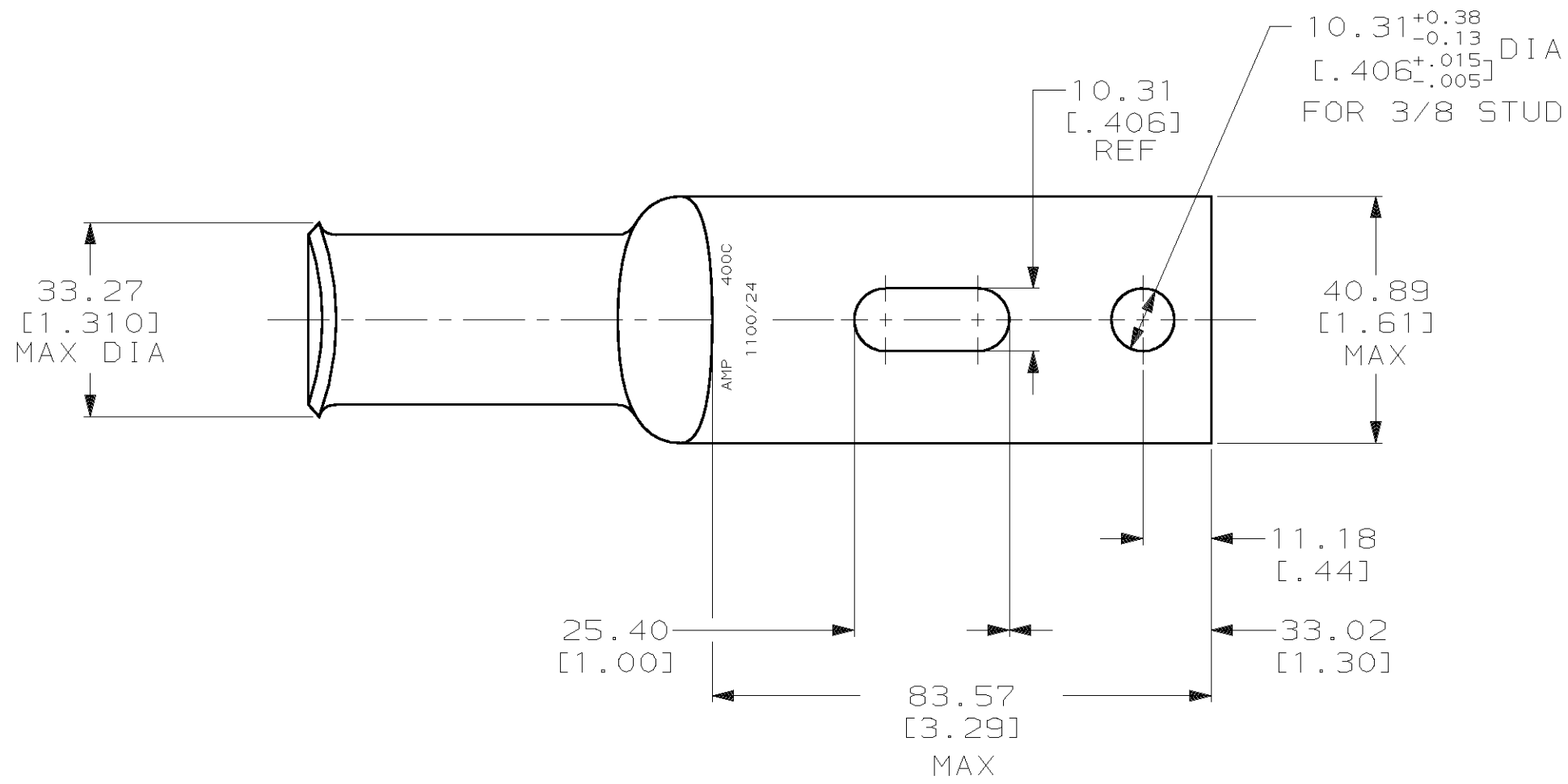
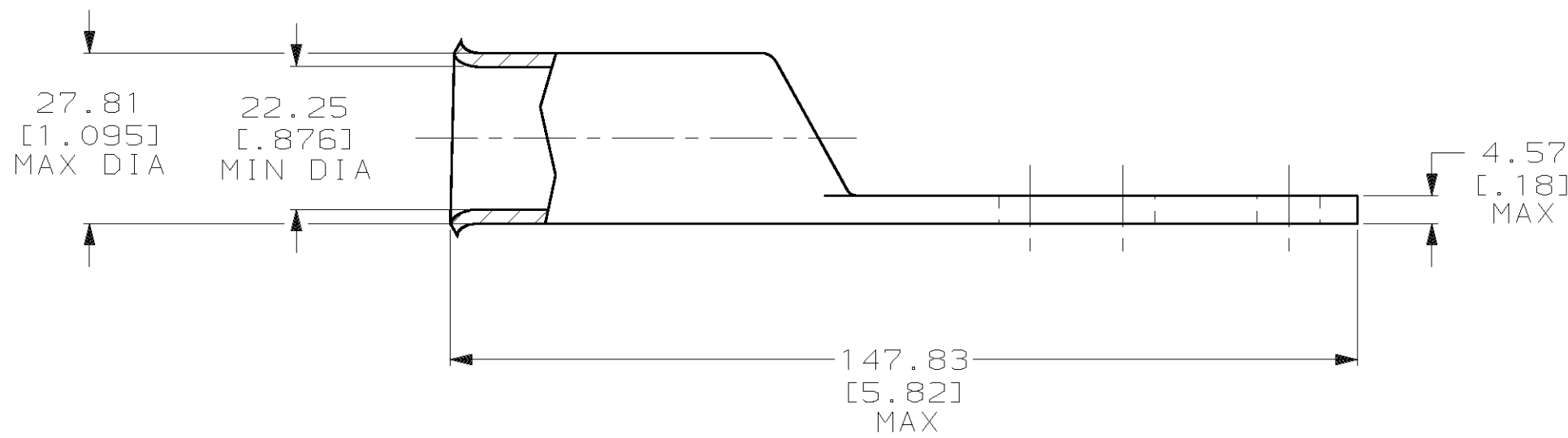


THIS DRAWING IS UNPUBLISHED. RELEASED FOR PUBLICATION .19 .
© COPYRIGHT 19 BY AMP INCORPORATED. ALL INTERNATIONAL RIGHTS RESERVED.

LOC		DIST		REVISIONS				DATE	APPD
G	86	P	F	ZONE	LTR	DESCRIPTION			
						C	REV PER 063A-0561-01	07OCT02	JR/MS



△ TIN PL 0.00381 [0.000150] MIN THK PER MIL-T-10727



276963

276963-1

PART NO

DO NOT SCALE PRINT.
UNLESS SPECIFIED
DIMENSIONS IN mm [INCHES]
TOLERANCES ON :
2 PLC DEC ± 0.51 [0.020]
3 PLC DEC ± -
ANGLES ± -

DR 03/09/90
DK SCHRUM
CHK 24JAN95
MS FEHER

AMP AMP INCORPORATED
Harrisburg, Pa. 17105

MATERIAL
ANNEALED COPPER
ASTM B-75

APPD 24JAN95
TL SHUTTER
PRODUCT SPEC
108-30200

NAME
TERMINAL, AMPOWER,
WIRE SIZE: 400 MCM



FINISH



APPLICATION SPEC

-

SIZE



CAGE CODE

00779

DRAWING NO

276963

WEIGHT

-

SCALE

1:1

SHEET

1 OF 1