

TABS USED TO MOUNT LIGHT PIPE

Qty per:	Tray	Carton		
	45	900		
PART NUMBER : SFPPCAGE011-L				
No.	DESCRIPTION	Q'ty	MATERIAL	PLATING
01	CAGE TOP	1	COPPER ALLOY	Nickel
02	CAGE BOTTOM	1	COPPER ALLOY	Nickel

DETACHED LISTS

MM (INCH)

TOLERANCES EXCEPT AS NOTED

MM	±
.0 ± 0.2	±
.00 ± 0.15	±
.000 ± 0.075	±

ANGLES ± 0.5

THIRD ANGLE PROJECTION

**RoHS Compliant**

TITLE  
SFP+ CAGE 1 BY 1,PRESS-FIT,FOR PCI

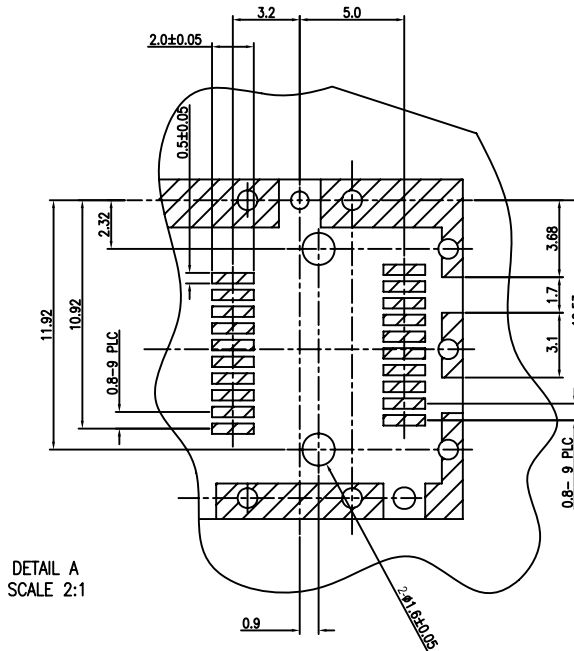
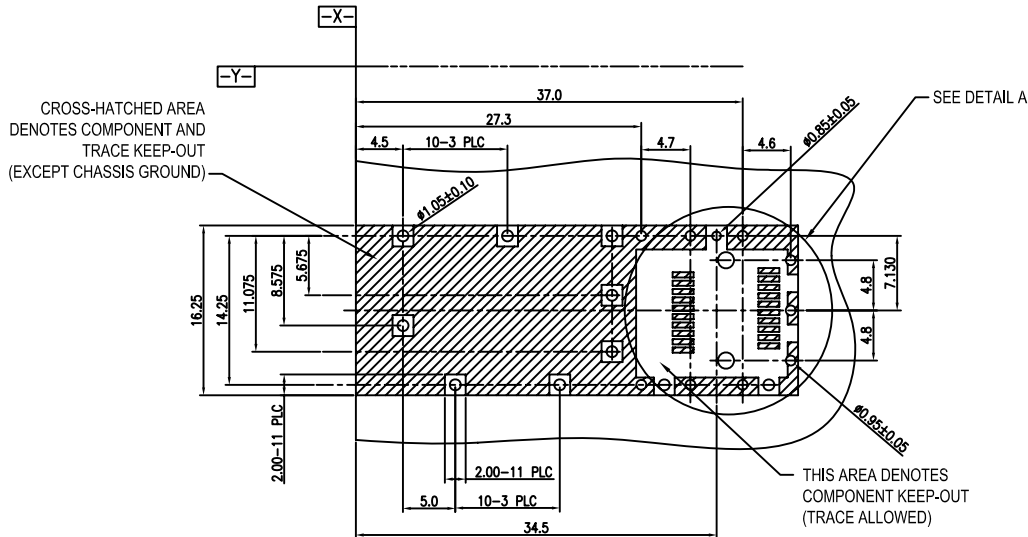
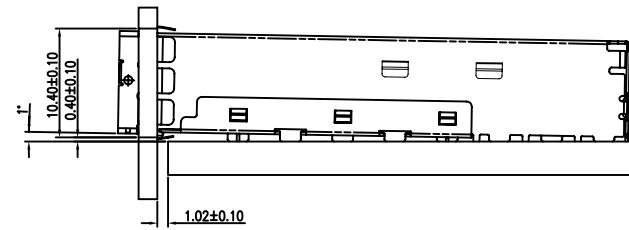
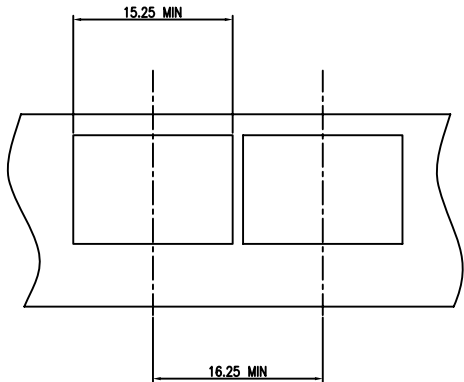
DFTO Peter      DRAWING NO. SFPPCAGE011-L      SIZE A3      REV R9

DATE 07/22/08      /PART NO.

SCALE : 1:1      DO NOT SCALE DRAWING      SHEET 1 OF 2

H  
G  
F  
E  
D  
C  
B  
A

8 | 7 | 6 | 5 | 4 | 3 | 2 | 1



H  
G  
F  
E  
D  
C  
B  
A

8

7

6

5

4

3

2

1

DETACHED LISTS	MM (INCH)	<b>RoHS Compliant</b>					
	TOLERANCES EXCEPT AS NOTED						
	MM	±	TITLE SFP+ CAGE 1 BY 1,PRESS-FIT,FOR PCI				
	.0 ± 0.2	±					
.00 ± 0.15	±						
.000 ± 0.075	±	DFTO Peter		DRAWING NO. SFPPCAGE011-L		SIZE	REV
ANGLES ± 0.5		DATE 07/22/08		/PART NO.		A3	R9
	THIRD ANGLE PROJECTION	SCALE : 1:1		DO NOT SCALE DRAWING		SHEET 2	OF 2