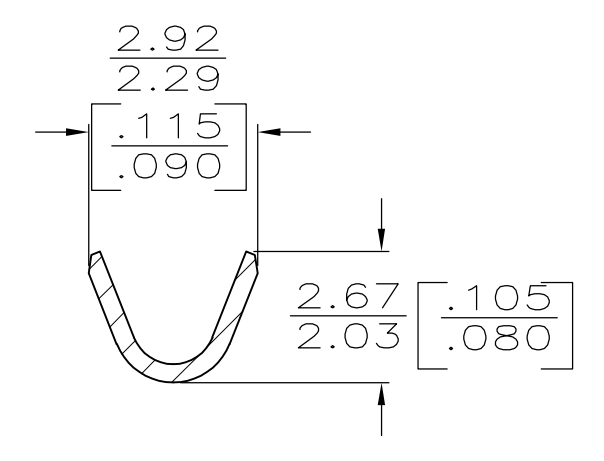
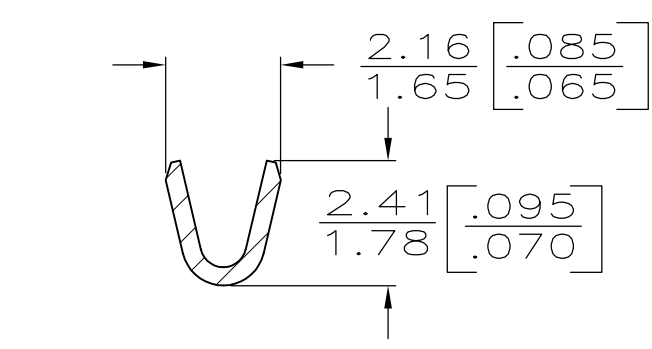
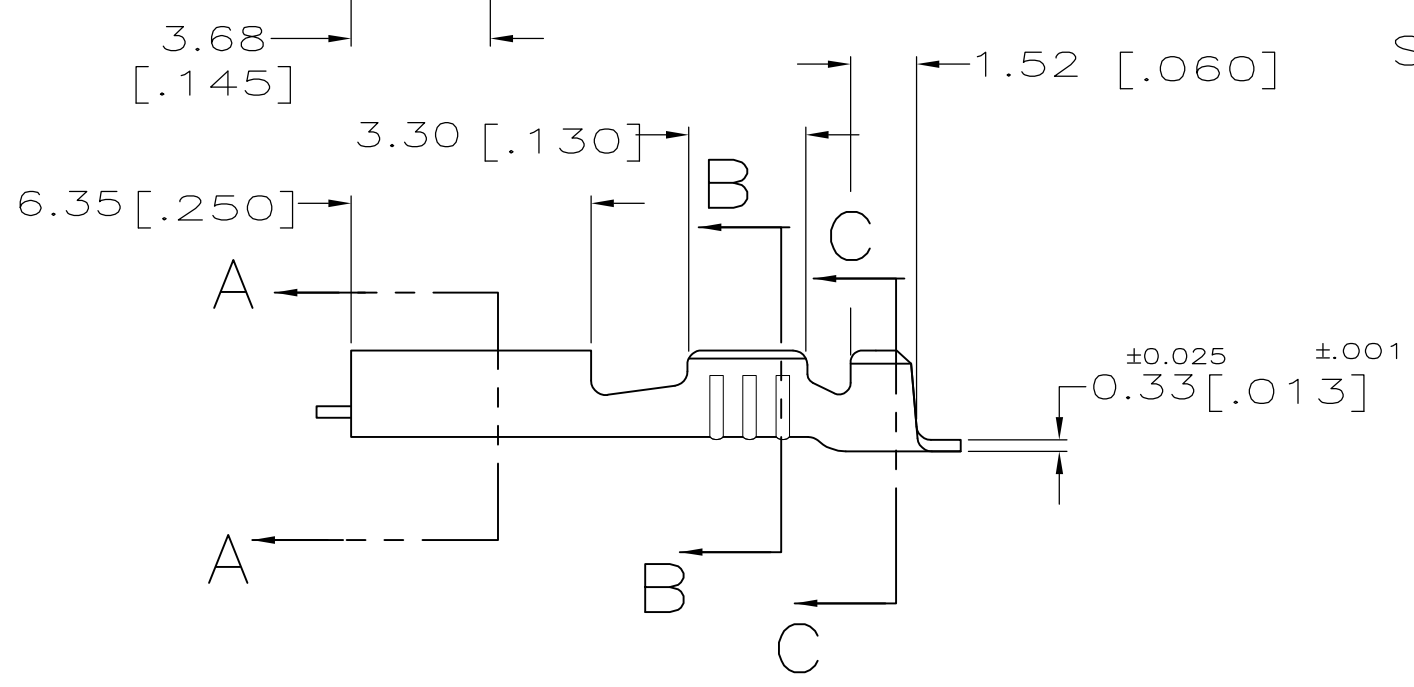
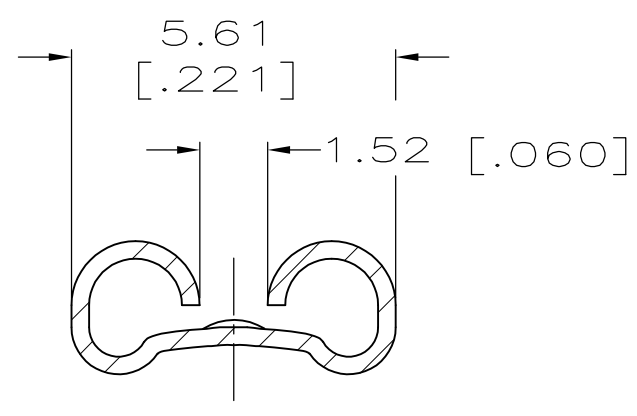
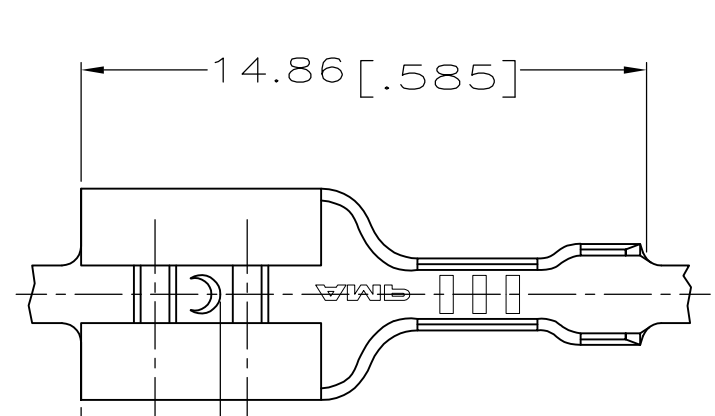


THIS DRAWING IS UNPUBLISHED. RELEASED FOR PUBLICATION  
 © COPYRIGHT - By - ALL RIGHTS RESERVED.

LOC	DIST	REVISIONS			
P	LTR	DESCRIPTION	DATE	DWN	APVD
AF	50	F	REVISED PER ECR-12-002864	23MAY12	KH PD

- 1 CONTINUOUS STRIP ON REELS
- △ 2 AMP STAMP INFO:  
P/N 62187-1 STAMPED AMP  
P/N 62187-2 STAMPED AMP\*
- △ 3 OBSOLETE PARTS: OBSOLETE CIS  
STREAMLINING PER D.RENAUD/D.SINISI



1.02-1.78 DIA [.040-.070] DIA	0.2-0.5mm <sup>2</sup> [24-20] AWG	T3 PHOS BRZ H04 BRASS	0.51 [.020]	△ 2 62187-2 △ 2 △ 3 <del>62187-1</del>
INSUL. RANGE	WIRE SIZE	MATERIAL	MATING TAB THK± 0.025 [.001]	PART NUMBER

THIS DRAWING IS A CONTROLLED DOCUMENT.		DWN JR RUTH 7/9/93	TE Connectivity														
DIMENSIONS: mm [INCHES]		CHK MS FEHER 7/9/93															
TOLERANCES UNLESS OTHERWISE SPECIFIED:		APVD P DESANTIS 7/9/93	NAME RECEPTACLE, FASTON, 4.75 [.187] SERIES														
<table border="0"> <tr><td>0 PLC</td><td>± -</td></tr> <tr><td>1 PLC</td><td>± -</td></tr> <tr><td>2 PLC</td><td>± 0.38 [.015]</td></tr> <tr><td>3 PLC</td><td>± -</td></tr> <tr><td>4 PLC</td><td>± -</td></tr> <tr><td>ANGLES</td><td>± -</td></tr> </table>		0 PLC	± -	1 PLC	± -	2 PLC	± 0.38 [.015]	3 PLC	± -	4 PLC	± -	ANGLES	± -	PRODUCT SPEC -	SIZE A3	CAGE CODE 00779	DRAWING NO C-62187
0 PLC	± -																
1 PLC	± -																
2 PLC	± 0.38 [.015]																
3 PLC	± -																
4 PLC	± -																
ANGLES	± -																
MATERIAL SEE TABLE		FINISH TIN	APPLICATION SPEC -	RESTRICTED TO -	SCALE 5:1												
CUSTOMER DRAWING			SHEET 1 OF 1	REV F													