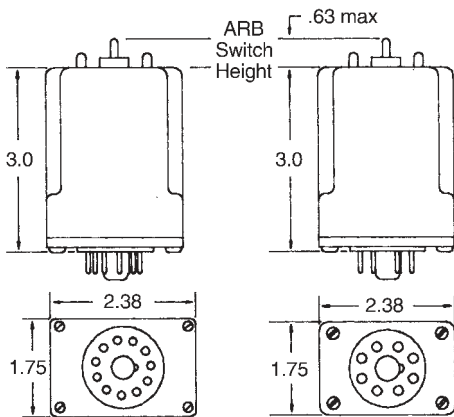


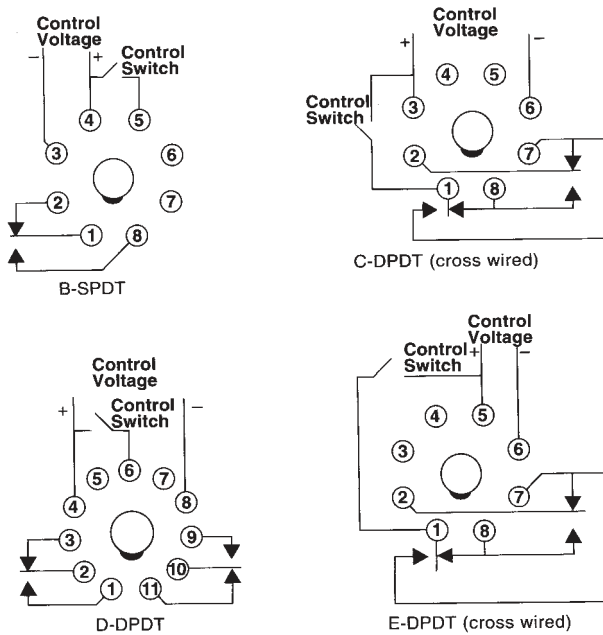


Duplexor

DIMENSIONS (INCHES)



WIRING



The **Duplexor** is used in control panels where **two loads** are required to alternate to provide equal run time on the loads. The alternating action is initiated by a control switch, which is common with one side of the control voltage. The output contacts will change states each time the control switch is opened, thus alternating the two loads. The LED indicators show the position of the output relay.

The **ARA Series** is the standard **Duplexor** providing automatic alternating sequence. The **ARB** has the automatic sequencing feature plus the option of locking it into one sequence. A three position switch permits the field selection of normal duplexing action, locking in the A-B sequence, or B-A sequence.

SPECIFICATIONS

<b>CONTROL VOLTAGE</b>	24, 120 VAC/DC, 208, 240, 50/60Hz,
<b>CONTROL SWITCH CURRENT</b>	1 mA
<b>POWER REQUIRED</b>	3 VA (Approximately)
<b>DUTY CYCLE</b>	Continuous
<b>LIFE EXPECTANCY</b>	Mechanical 10,000,000 Operations (Minimum) Electrical 100,000 Operations @ Rated Load
<b>INDICATORS</b>	LED Shows Output Position
<b>TEMPERATURES RATING</b>	Operate -4° to 131°F (-20° to +55°C) Storage -40° to 185°F (-40° to +85°C)
<b>CONTACT RATING</b>	10 Amps @ 240 VAC, Resistive 1/8 hp @ 120 VAC 1/4 hp @ 240 VAC Inductive, 360 VA @ 240 VAC, Inductive
<b>ENCLOSURE</b>	"A" Lexan® Dust Cover
<b>TERMINATIONS</b>	Industrial Plug-in
<b>WEIGHT</b>	4.5 oz.

MODEL NUMBER

<b>MODEL NUMBER</b>	AR			A		A
<b>TYPE OF ALTERNATING RELAY</b>						
Standard Duplexor	A					
Special Function Duplexor	B					
<b>CONTROL VOLTAGE</b>						
24 VAC/DC		24				
120 VAC/DC		120				
208 VAC		208				
240 VAC		240				
<b>TYPE OF VOLTAGE</b>						
VAC or VAC/DC			A			
<b>CONTACT CONFIGURATION</b>						
SPDT						B
DPDT (Cross Wired)						C
DPDT						D
DPDT (Cross Wired)						E
<b>ENCLOSURE STYLE</b>						
						A