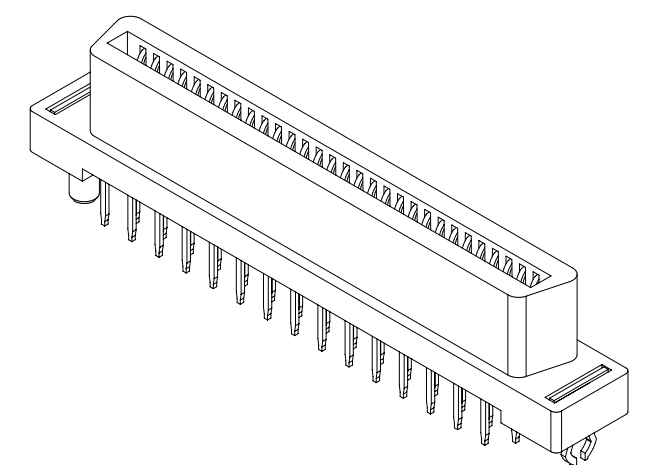
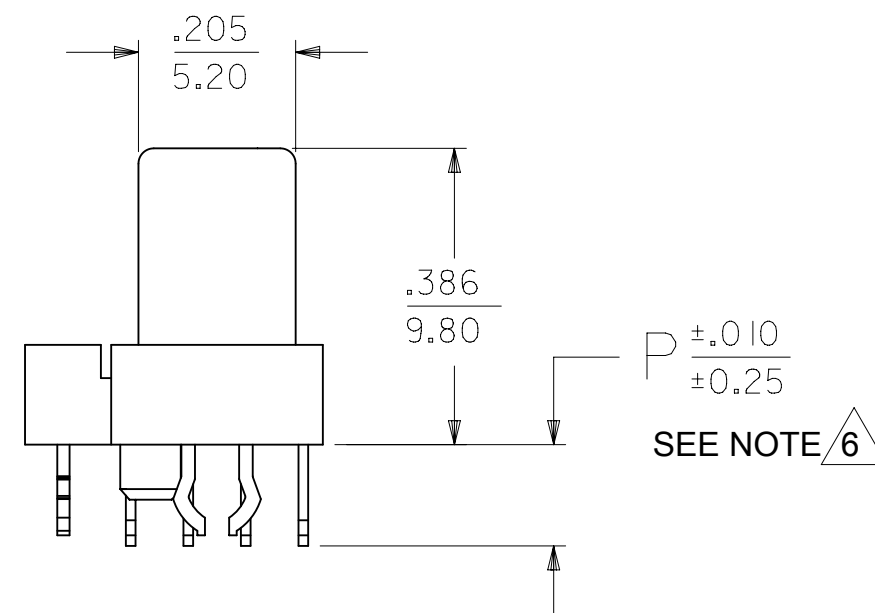
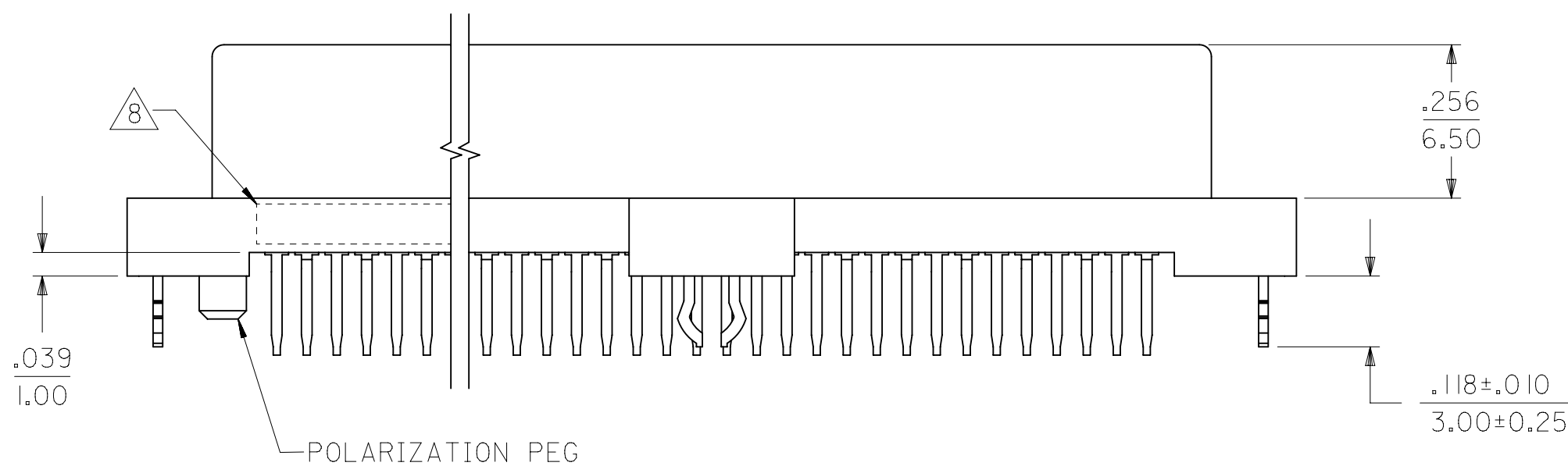
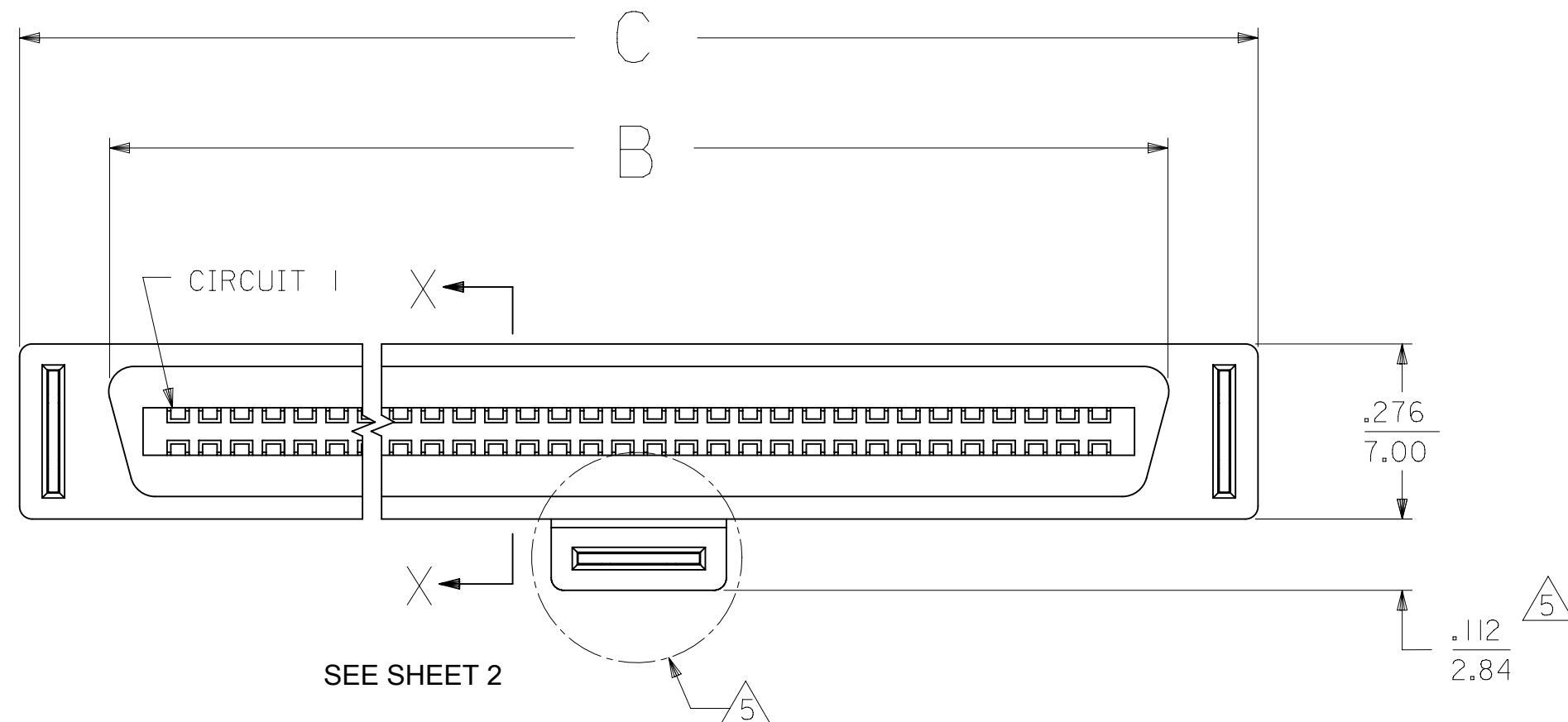


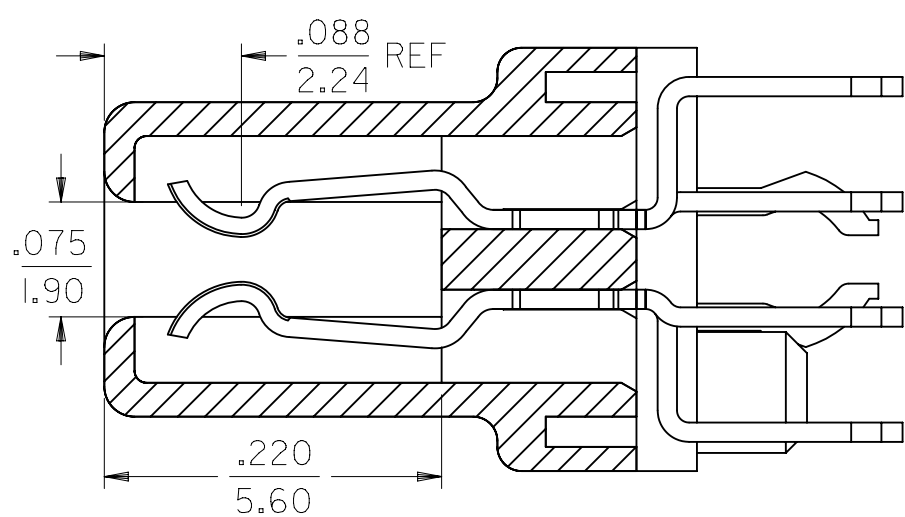
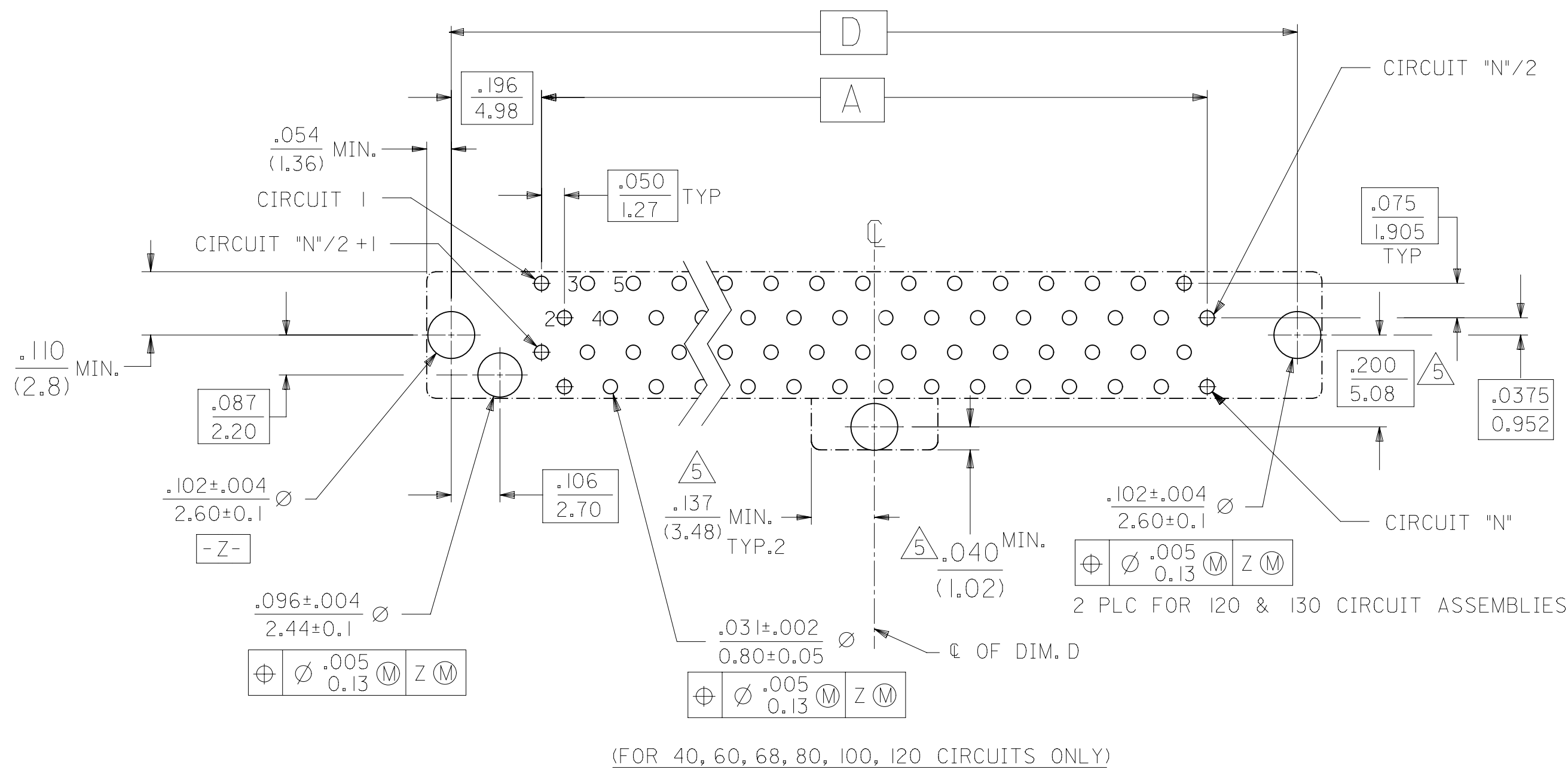
NOTES:

- 1) MATERIALS:
HOUSING- LCP, GLASS FILLED, 94V-0, BLACK.
TERMINALS- COPPER ALLOY
METAL PEGS- COPPER ALLOY
- 2) FINISH:
TERMINALS:
.000030/(0.00076) MINIMUM GOLD IN CONTACT AREA OVER
.000050/(0.00127) MINIMUM TIN IN TAIL AREA OVER
.000075/(0.00191) MINIMUM NICKEL UNDERPLATE OVERALL.
- 3) ASSEMBLY MATES WITH MOLEX P/N SDA-71661-****.
- 4) CONFORMS TO PRODUCT SPECIFICATION PS-71660.
- 5 CENTER PEG IS ONLY ON 120 AND 130 CIRCUIT ASSEMBLIES.
- 6 TAIL LENGTH ON FIRST MATE CONTACTS IS APPROXIMATELY .010 INCH/0.25 mm SHORTER THAN THE TAIL LENGTH SPECIFIED.
- 7 CONNECTOR WILL ACCEPT MATING TO A P.C. BOARD WITH A THICKNESS OF .062±.003.
- 8 FOUR DIGIT DATE CODE (WK YR), EXAMPLE => 26 96 LOCATED IN AREA INDICATED.
- 9 SEE CHART FOR PACKAGING INFORMATION.

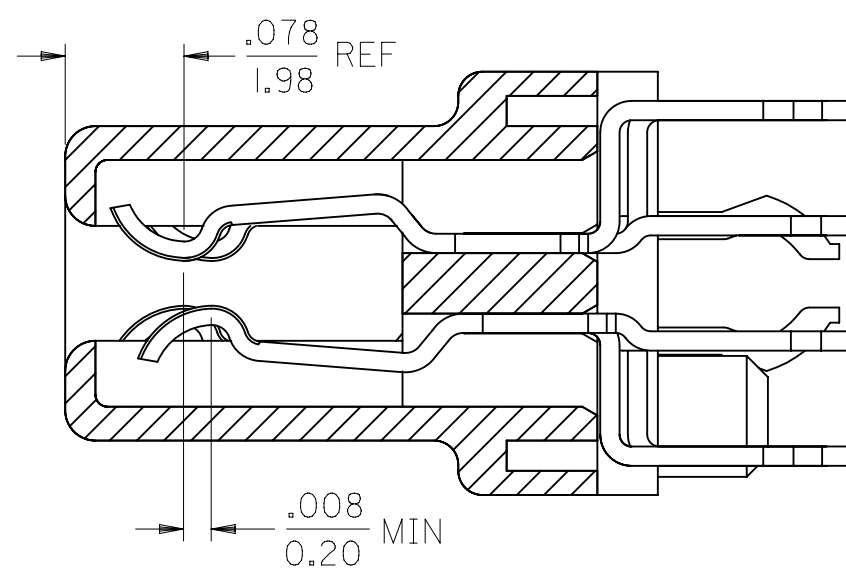


60 CIRCUIT ASSEMBLY SHOWN
SCALE 2:1

THIS DRAWING CONTAINS INFORMATION THAT IS PROPRIETARY TO MOLEX ELECTRONIC TECHNOLOGIES, LLC AND SHOULD NOT BE USED WITHOUT WRITTEN PERMISSION									
DIMENSION UNITS IN/mm		SCALE 4:1		CURRENT REV DESC: OBSOLETE PART NUMBERS					
GENERAL TOLERANCES (UNLESS SPECIFIED)				EC NO: 644856					
				DRWN: RPRABHUM 2020/06/19				SALES ASSEMBLY MOLEX EBBI 50D VERTICAL RECEPTACLE CONNECTOR	
				CHK'D: GGA 2020/10/07					
				APPR: GGA 2020/10/07				PRODUCT CUSTOMER DRAWING	
				INITIAL REVISION:					
				DRWN: RAN 1992/06/15				DOCUMENT NUMBER	
				APPR: CAB 1992/06/15				SDA-71660-1XXX	
DRAFT WHERE APPLICABLE MUST REMAIN WITHIN DIMENSIONS		THIRD ANGLE PROJECTION		DRAWING		SERIES		MATERIAL NUMBER	
				C-SIZE		71660		SEE TABLE	
								CUSTOMER	
								GENERAL MARKET	
								DOC TYPE	
								PSD	
								DOC PART	
								001	
								REVISION	
								R	
								SHEET NUMBER	
								1 OF 3	



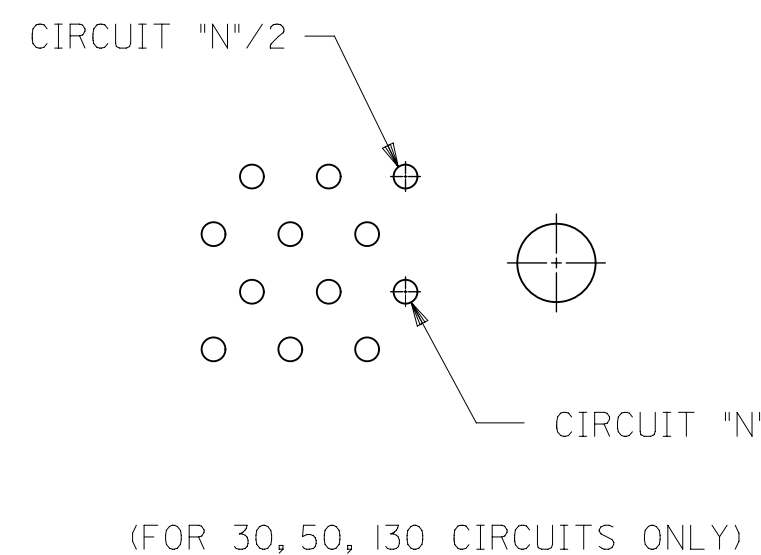
STANDARD PRODUCT



FMLB OPTION

SECTION X-X
SCALE - 8:1

RECOMMENDED PC BOARD LAYOUT
COMPONENT SIDE



THIS DRAWING CONTAINS INFORMATION THAT IS PROPRIETARY TO MOLEX ELECTRONIC TECHNOLOGIES, LLC AND SHOULD NOT BE USED WITHOUT WRITTEN PERMISSION												
DIMENSION UNITS IN/mm		SCALE 4:1		CURRENT REV DESC: OBSOLETE PART NUMBERS								
GENERAL TOLERANCES (UNLESS SPECIFIED)				EC NO: 644856								
		MM	INCH	DRWN: RPRABHUM								
4 PLACES	±			2020/06/19		SALES ASSEMBLY MOLEX EBBI 50D VERTICAL RECEPTACLE CONNECTOR						
3 PLACES	±	0.005		2020/10/07								
2 PLACES	±	0.13	0.01	APPR: GGA		PRODUCT CUSTOMER DRAWING						
1 PLACE	±	0.25		2020/10/07								
0 PLACES	±			INITIAL REVISION:		DOCUMENT NUMBER		DOC TYPE	DOC PART	REVISION		
ANGULAR TOL ± 0.5°		THIRD ANGLE PROJECTION		DRWN: RAN		1992/06/15		SDA-71660-1XXX		PSD	001	R
DRAFT WHERE APPLICABLE MUST REMAIN WITHIN DIMENSIONS		DRAWING		APPR: CAB		1992/06/15		MATERIAL NUMBER		CUSTOMER		SHEET NUMBER
		C-SIZE				71660		SEE TABLE		GENERAL MARKET		2 OF 3

ENGINEERING NUMBER	EDP NUMBER	PACKAGING SPEC	CKT ("N")	A	B	C	D	P	ADVANCED TERMINALS / CKTS SEE SECTION X-X "FMLB OPT"
SDA-71660-1050	015-92-1050	PK-71660	50	1.200 (30.48)	1.418 (36.02)	1.699 (43.15)	1.592 (40.45)	.134 (3.40)	↑ N/A ↓
SDA-71660-1120	015-92-1120	PK-71660	120	2.950 (74.93)	3.168 (80.47)	3.449 (87.60)	3.342 (84.90)		
SDA-71660-1130	015-92-1130	PK-71660	130	3.200 (81.28)	3.418 (86.82)	3.699 (93.95)	3.592 (91.25)		
SDA-71660-1330	015-92-1430	PK-71660	30	.700 (17.78)	.918 (23.32)	1.199 (30.45)	1.092 (27.75)	.110 (2.79)	↑ N/A ↓
SDA-71660-1340	015-92-1440	PK-71660	40	.950 (24.13)	1.168 (29.67)	1.449 (36.80)	1.342 (34.10)		
SDA-71660-1350	015-92-1450	PK-71660	50	1.200 (30.48)	1.418 (36.02)	1.699 (43.15)	1.592 (40.45)		
SDA-71660-1380	015-92-1480	PK-71660	80	1.950 (49.53)	2.168 (55.07)	2.449 (62.20)	2.342 (59.50)		
SDA-71660-1400	015-92-1500	PK-71660	100	2.450 (62.23)	2.668 (67.77)	2.949 (74.90)	2.842 (72.20)		

THIS DRAWING CONTAINS INFORMATION THAT IS PROPRIETARY TO MOLEX ELECTRONIC TECHNOLOGIES, LLC AND SHOULD NOT BE USED WITHOUT WRITTEN PERMISSION									
DIMENSION UNITS IN/mm		SCALE 4:1		CURRENT REV DESC: OBSOLETE PART NUMBERS				molex	
GENERAL TOLERANCES (UNLESS SPECIFIED)				EC NO: 644856		2020/06/19			
		MM	INCH	DRWN: RPRABHUM		2020/10/07		SALES ASSEMBLY MOLEX EBBI 50D VERTICAL RECEPTACLE CONNECTOR	
4 PLACES		±	±	CHK'D: GGA		2020/10/07		PRODUCT CUSTOMER DRAWING	
3 PLACES		±	± 0.005	APPR: GGA		2020/10/07		DOCUMENT NUMBER	
2 PLACES		± 0.13	± 0.01	INITIAL REVISION:		1992/06/15		SDA-71660-1XXX	
1 PLACE		± 0.25	±	DRWN: RAN		1992/06/15		DOC TYPE	
0 PLACES		±	±	APPR: CAB		1992/06/15		PSD	
ANGULAR TOL		± 0.5 °		THIRD ANGLE PROJECTION		DRAWING		DOC PART	
DRAFT WHERE APPLICABLE MUST REMAIN WITHIN DIMENSIONS				THIRD ANGLE PROJECTION		SERIES		REVISION	
				C-SIZE		71660		001	
				MATERIAL NUMBER		CUSTOMER		R	
				SEE TABLE		GENERAL MARKET		3 OF 3	
				SHEET NUMBER					