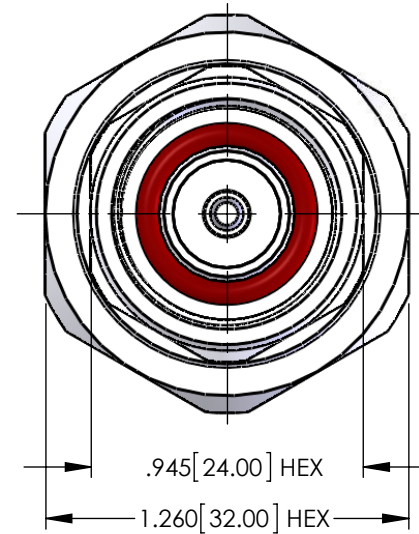
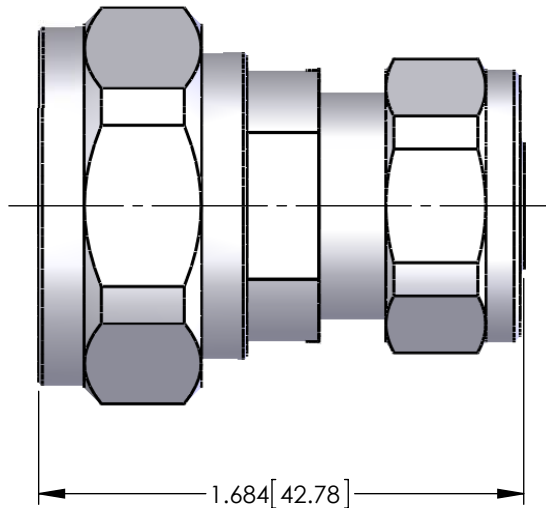
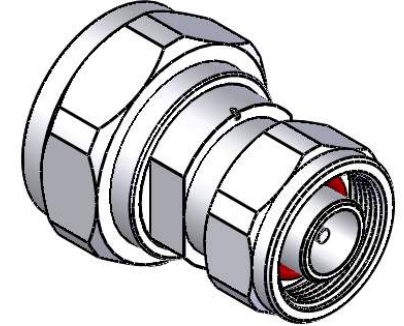
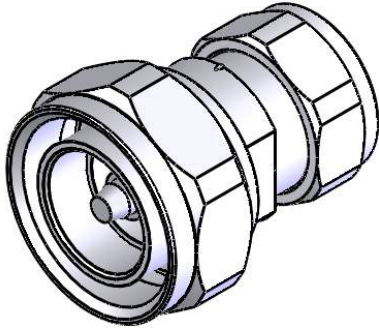


RFD-1682-4

REV	DESCRIPTION	DATE	APPR
-	ENGINEERING RELEASE	11/14/14	JDM



SPECIFICATIONS:

IMPEDANCE: 50 Ohms
 FREQUENCY RANGE: 0-3 GHz
 MIN. PIM: -160dBc (1900 MHz)
 INSERTION LOSS(dB): 0.05 dB MAX. @ 3.0 GHz
 WORKING VOLTAGE: 1200 Vrms Max. @ Sea Level
 INSULATION RESISTANCE: 5k M Ohms min.
 MATING CYCLES: 500
 TEMPERATURE RANGE: -65°C TO 165°C

ROHS
COMPLIANT

UNLESS OTHERWISE SPECIFIED:
DIMENSIONS ARE IN INCHES
ALL DIMENSIOS ARE FOR REFERENCE ONLY
CABLE GROUP N/A
CODE 001787

	NAME	DATE
DRAWN	C. ZUNIGA	01/14/14
CHECKED		
ENG APPR.		
PROPRIETARY AND CONFIDENTIAL		
THE INFORMATION CONTAINED IN THIS DRAWING IS THE SOLE PROPERTY OF RF INDUSTRIES. ANY REPRODUCTION IN PART OR AS A WHOLE WITHOUT THE WRITTEN PERMISSION OF RF INDUSTRIES IS STRICTLY PROHIBITED.		

RF INDUSTRIES
7610 MIRAMAR RD. SAN DIEGO, CA. 92126
858-549-6340 FAX 858-549-6345

TITLE: 7/6 DIN PLUG TO 4.1/9.5 PLUG ADAPTER

SIZE	DWG. NO.	REV
A	RFD-1682-4	-
SCALE: NTS	NOTES:	SHEET 1 OF 1

#	DESCRIPTION	QTY	PART NUMBER	MATERIAL	FINISH
7	RETAINING RING	1	027-41M-001-CW	BeCu	WITHE BRONZE
6	O-RING	1	023-41X-001-LX	Rubber	NONE
5	DIN SHELL	1	012-16M-005-BT	Brass	WHITE BRONZE
4	4.1-9.5 SHELL	1	012-41M-001-BW	Brass	WHITE BRONZE
3	INSULATOR	1	010-16X-006-TX	PTFE	NONE
2	7/16-4.1/9.5 PIN	1	009-16M-004-CS	PHOS. BRONZE	SILVER
1	7/16-4.1/9.5 BODY	1	001-16X-010-BW	Brass	WHITE BRONZE