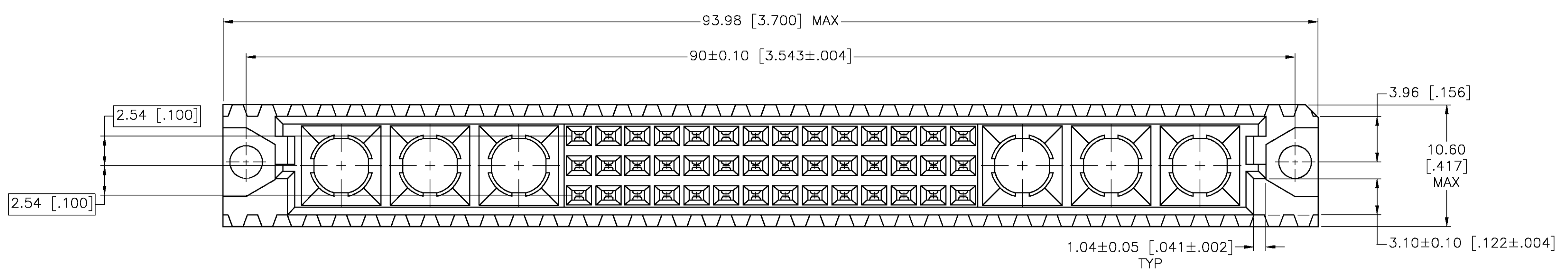
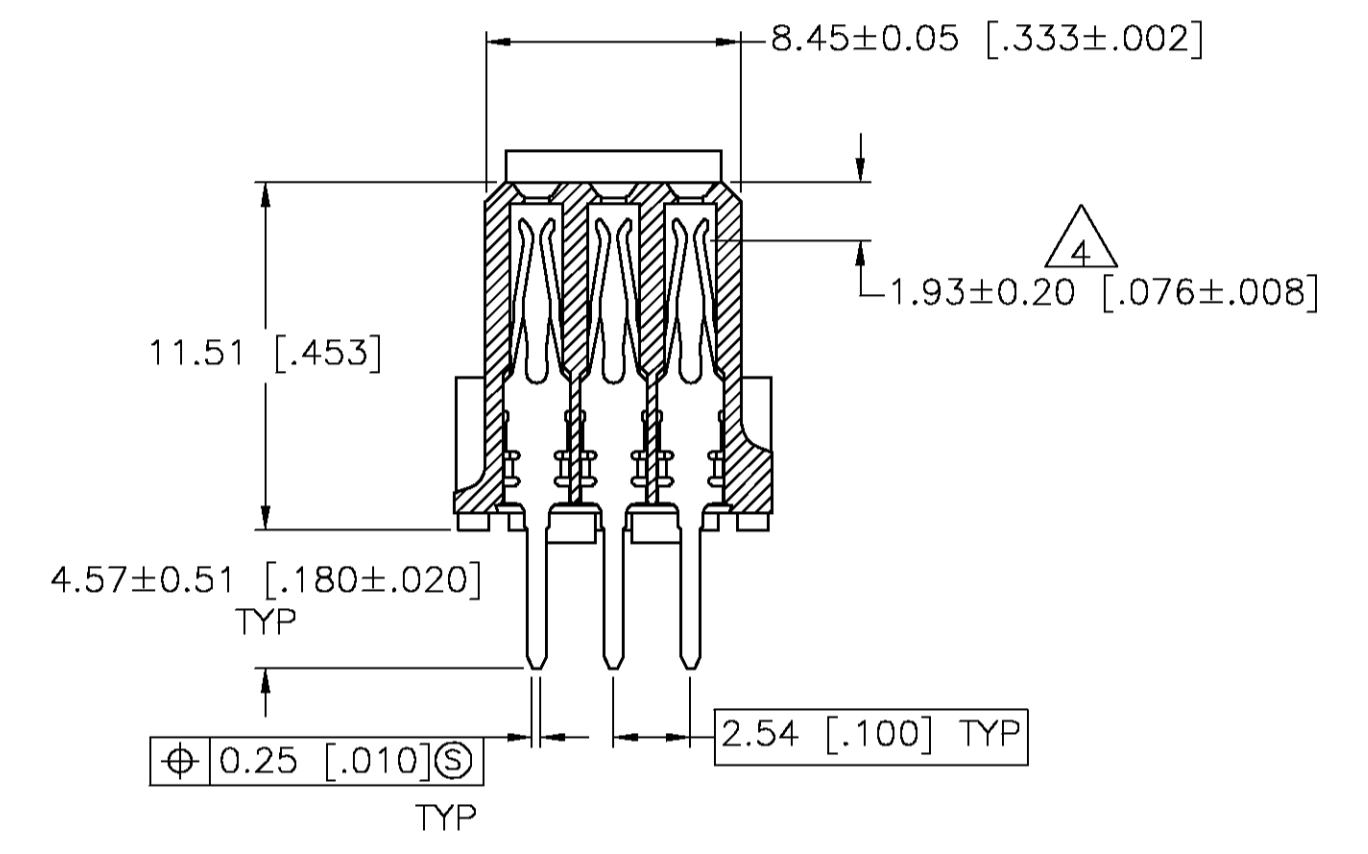
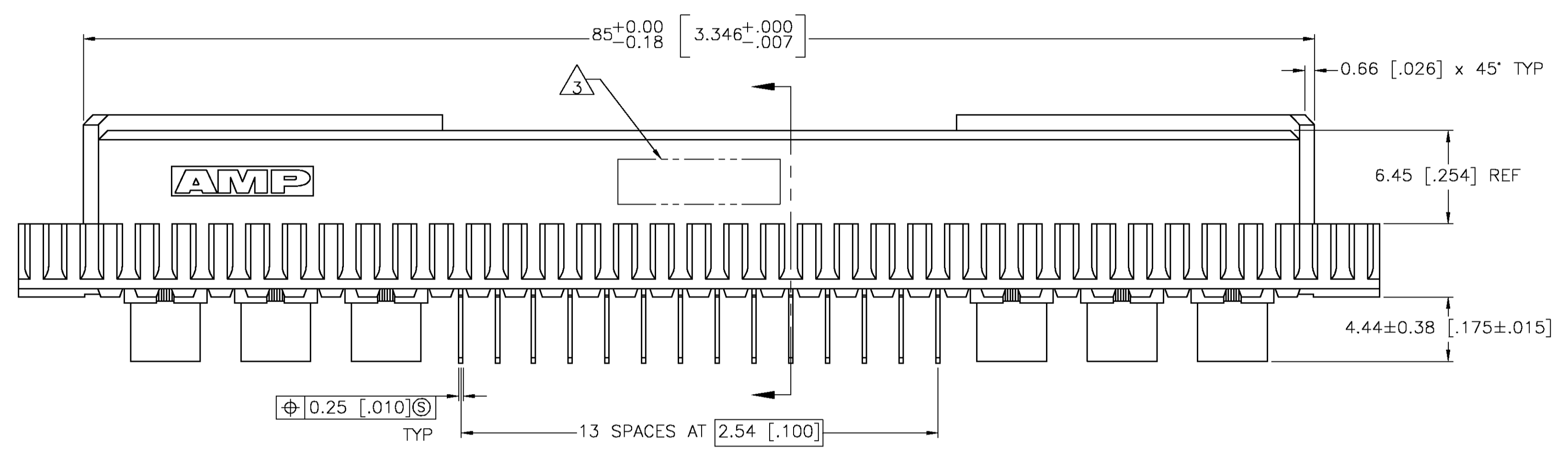


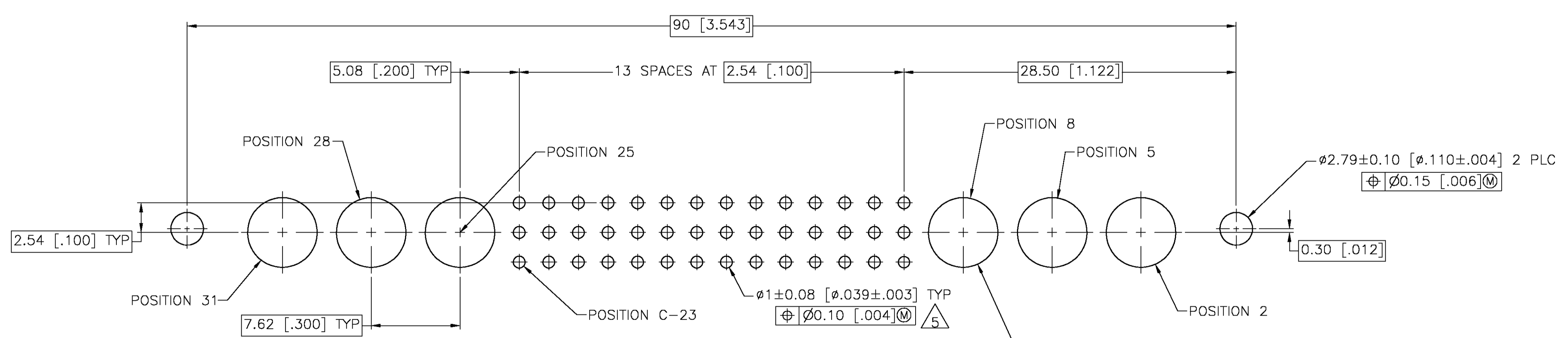
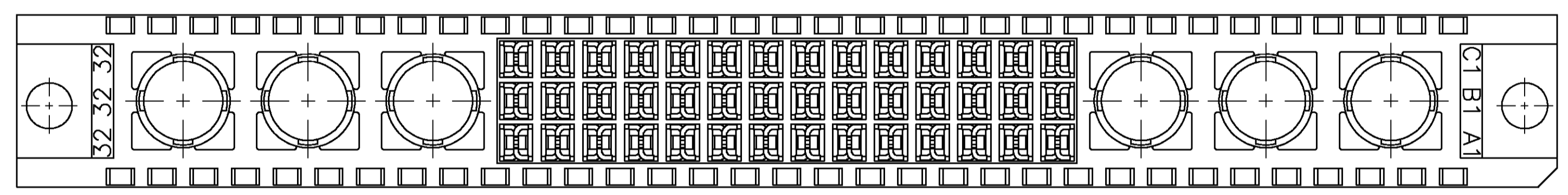
LOC		DIST		REVISIONS			
P	LTR	DESCRIPTION	DATE	DWN	APVD		
O	REV PER EC	0512-0251-04	17MAY04	NK	AS		



- 1 HOUSING: GLASS-FILLED POLYESTER, GRAY.  
SIGNAL CONTACT: PHOSPHOR BRONZE.  
POWER CONTACT: COPPER ALLOY.
- 2 SIGNAL CONTACT: DIN 41612 CLASS 1 IN CONTACT AREA.  
TIN-LEAD ON TAILS.  
POWER CONTACT: DIN 41612 CLASS 1 IN CONTACT AREA.
- 3 PART NUMBER, DATE CODE IDENTIFICATION, CSA LOGO HOT STAMPED THIS APPROXIMATE AREA. OPPOSITE SIDE SHOWN.
- 4 CONTACT POINT, SIGNAL CONTACT.
- 5 RECOMMENDED HOLE SIZE FOR MANUAL APPLICATION OF CONNECTOR ONTO PC BOARD.



POWER CONTACT REMOVED FOR CLARITY



PC BOARD LAYOUT

148686-1  
PART NUMBER

THIS DRAWING IS A CONTROLLED DOCUMENT.		DWG: B. CARBO 23FEB04		Tyco Electronics Corporation Harrisburg, Pa 17105-3608	
DIMENSIONS: mm [INCHES]		CHK: A. SHARPE 23FEB04		NAME: RECEPTACLE ASSEMBLY, EUROCARD, TYPE M, 42 + 6	
TOLERANCES UNLESS OTHERWISE SPECIFIED:		APVD: A. SHARPE 23FEB04	PRODUCT SPEC: APPLICATION SPEC		
0 PLC ± -		SIZE: A1			
1 PLC ± -		CAGE CODE: 00779			
2 PLC ± 0.13[.005]		DRAWING NO: 148686			
3 PLC ± -		RESTRICTED TO: -			
4 PLC ± -		WEIGHT: -			
ANGLES ± -		CUSTOMER DRAWING			
MATERIAL: 1		SCALE: 4:1			
FINISH: 2		SHEET: 1 OF 1			
		REV: 0			