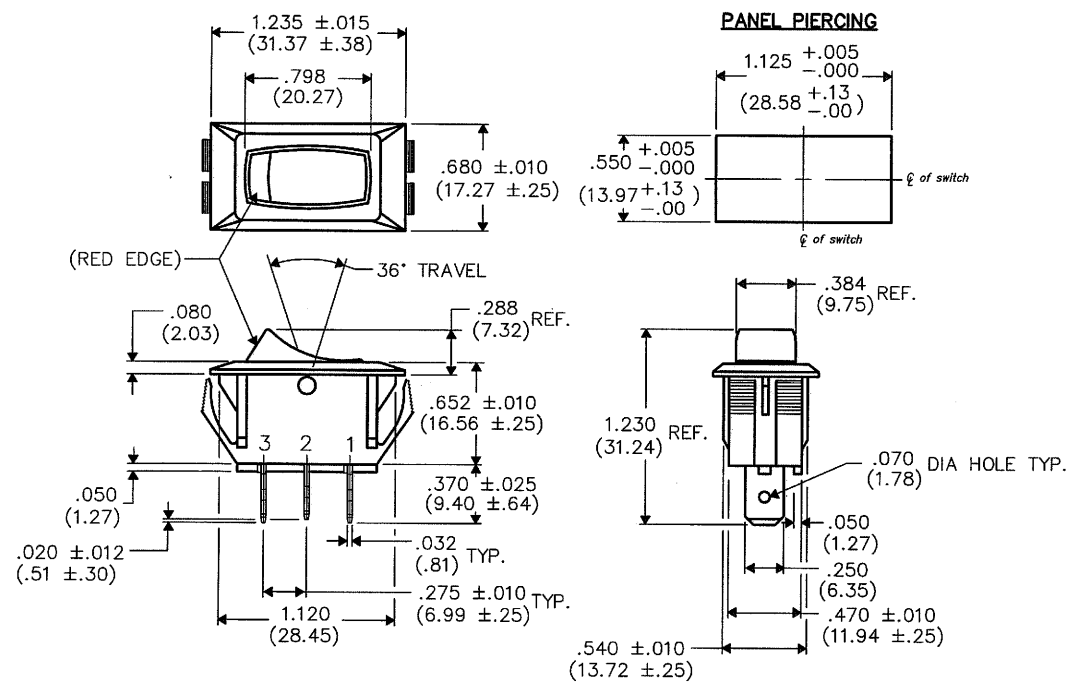


E
D
C
B
A



| | | |
|---------|-----------|--|
| FORM-B4 | REVISIONS | 0 |
| | | RELEASED. 8-13-2008 DVG AUG 15 2008 |

| | | | | |
|-----------------------------|--|---------------------------|--------------------------|--------------------------|
| PDF FILE MADE | CW INDUSTRIES Southampton, Pa. 18966 | | Title: ASSEMBLY DRAWING | |
| | TOLERANCES UNLESS OTHERWISE SPECIFIED | | S.P.D.T. ROCKER SWITCH | |
| | 2 Place Decimal ±.010 | METRIC | NON-POLARIZED, W/RATINGS | |
| | 3 Place Decimal ±.005 | 1 Place Dec. ±.25mm | 1.125" x .550" | |
| Angles ±1' | | 2 Place Dec. ±.13mm | Division: SWITCH | |
| Made for: CW IND. | | Drawn by: DVG 8-13-2008 | | Dwg. No. NBA-111-BI31-00 |
| Checked by: G. Guld 8-14-08 | | Approval: G. Guld 8-14-08 | | |

MASTER