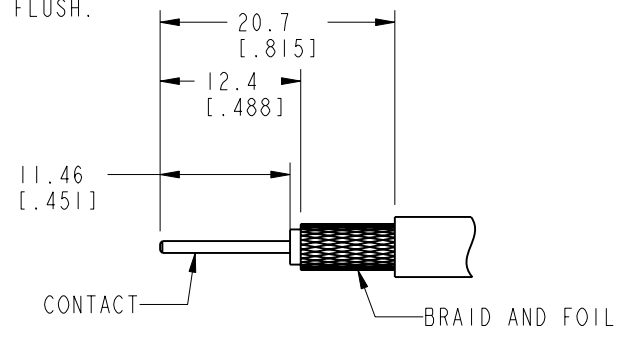


NOTES:

1. MATERIALS AND FINISHES:  
 REAR BODY AND BAYONET SLEEVE - BRASS, NICKEL PLATING  
 OUTER CONTACT - BeCu, NICKEL PLATING  
 CONTACT - PHOSPHOR BRONZE, GOLD PLATING  
 FERRULE - BRASS, NICKEL PLATING  
 INSULATOR - PTFE  
 INSULATOR-REAR - PTFE  
 CAP - BRASS, NICKEL PLATING
2. ELECTRICAL:  
 A. IMPEDANCE: 75 OHM  
 B. FREQUENCY RANGE : DC - 12 GHz  
 C. RETURN LOSS: -20dB DC-6 GHz  
 -15dB 6-12 GHz
3. MECHANICAL:  
 A. DURABILITY: 500 CYCLES MIN.  
 B. TEMPERATURE : -65°C TO +165°C
4. ENVIRONMENTAL:  
 A. THERMAL SHOCK PER MIL-STD-202 METHOD 107  
 TEST CONDITION B (EXCEPT HIGH TEMP @200°C)  
 B. VIBRATION: MIL-STD-202 METHOD 204 TEST CONDITION B  
 C. SHOCK: MIL-STD-202 METHOD 213 TEST CONDITION B  
 D. CORROSION: MIL-STD-202 METHOD 101  
 TEST CONDITION B 5% SALT SOLUTION
5. PACKAGING:  
 A. QUANTITY: SINGLE PACK  
 B. MARKING: BAG TO BE MARKED:  
 "AMPHENOL RF, 34-1119-12G DATE CODE"
6. HIGH DENSITY INSTALLATION/REMOVAL TOOL: 227-T2000
7. CABLE ASSEMBLY INSTRUCTIONS:  
 A. TRIM CABLE AS SHOWN.  
 B. SLIDE FERRULE ONTO CABLE.  
 C. INSERT INSULATOR-REAR ONTO CENTER CONDUCTOR IN ORIENTATION SHOWN.  
 D. INSERT CABLE WITH INSULATOR-REAR INTO CONNECTOR WITH FOIL ENTERING  
 CONNECTOR AND BRAID OVER KNURL  
 E. SOLDER CONTACT TO CABLE CENTER CONDUCTOR.  
 F. CRIMP FERRULE WITH .324" HEX.  
 G. PRESS CAP INT BODY UNTIL FLUSH.

8 SHOWS CABLE ENTRY DIMENSIONS.

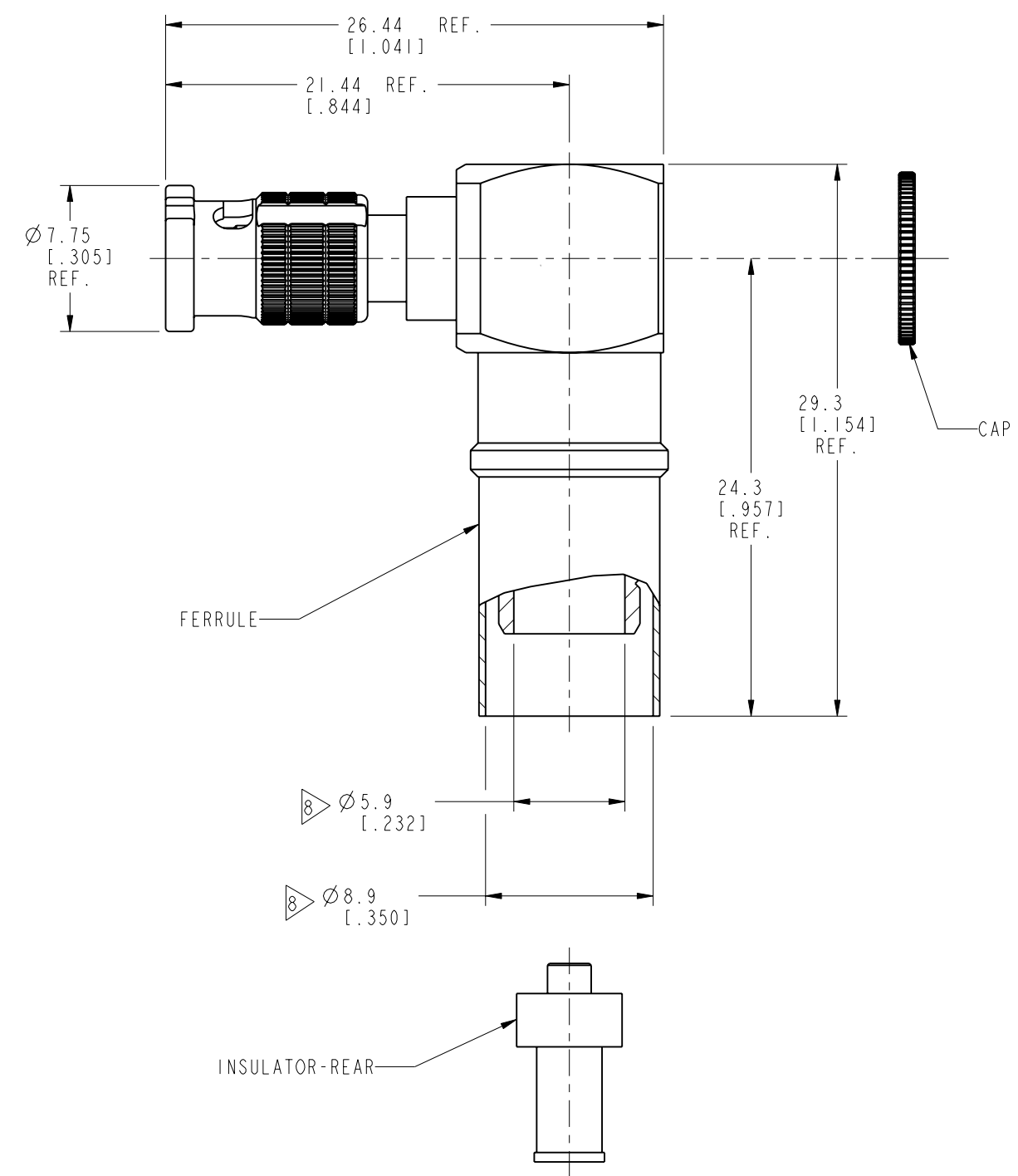


**RECOMMENDED CABLE STRIPPING DIMENSIONS**

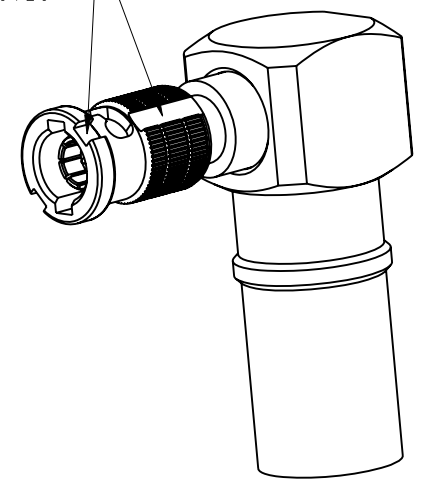
THIRD ANGLE PROJ.

REVISIONS

| REV | DESCRIPTION     | DATE      | ECO   | APPR |
|-----|-----------------|-----------|-------|------|
| A   | RELEASE TO MFG. | 15-Mar-18 | 07342 | KCE  |



STUD LOCATING AND INSTALLATION/REMOVAL TOOL GROOVES



**CUSTOMER OUTLINE DRAWING**

ALL OTHER SHEETS ARE FOR INTERNAL USE ONLY

|   |                      |          |           |  |          |                                   |                      |
|---|----------------------|----------|-----------|--|----------|-----------------------------------|----------------------|
| UNLESS OTHERWISE SPECIFIED, DIMENSIONS ARE IN METRIC AND TOLERANCES ARE:<br><0.5mm ±0.05mm    0.5 - 6mm ±0.1mm    6 - 30mm ±0.2mm    30 - 120mm ±0.3mm    ANGLES ±1°  | MATERIAL             | DRAWN    | DATE      | TITLE<br>75 OHM HD BNC RA PLUG<br>FOR BELDEN 4794R |          | Amphenol RF<br>www.amphenolrf.com |                      |
|   | SEE NOTES            | K. SONG  | 24-Mar-18 |  |          |                                   |                      |
| NOTICE - These drawings, specifications, or other data (1) are, and remain the property of Amphenol corp. (2) must be returned upon request; and (3) are confidential and not to be disclosed to any person other than those to whom they are given by Amphenol Corp. the furnishing of these drawings, specifications, or other data by Amphenol Corp., or to any other person to anyone for any purpose is not to be regarded by implication or otherwise in any manner licensing, granting rights to permitting such holder or any other person to manufacture, use or sell any product, process or design, patented or otherwise, that may in any way be related to or disclosed by said drawings, specifications, or other data. | REFERENCE            | ENGINEER | DATE      | SCALE: 5.0:1.0   SHEET 2 OF 2                      |          | DRAWING NO. 34-1119-12G           |                      |
|   | EAR # 8067           | K. ELMES | 01-Dec-17 |  |          | ITEM NO. 34-1119-12G              |                      |
|   | CONFIGURATION LEVEL: | APPROVED | CAD FILE  | DATE   | DWG SIZE | REV                               | PART NO. 34-1119-12G |
| FINISH  |                      |          |           | B  | A        |                                   |                      |