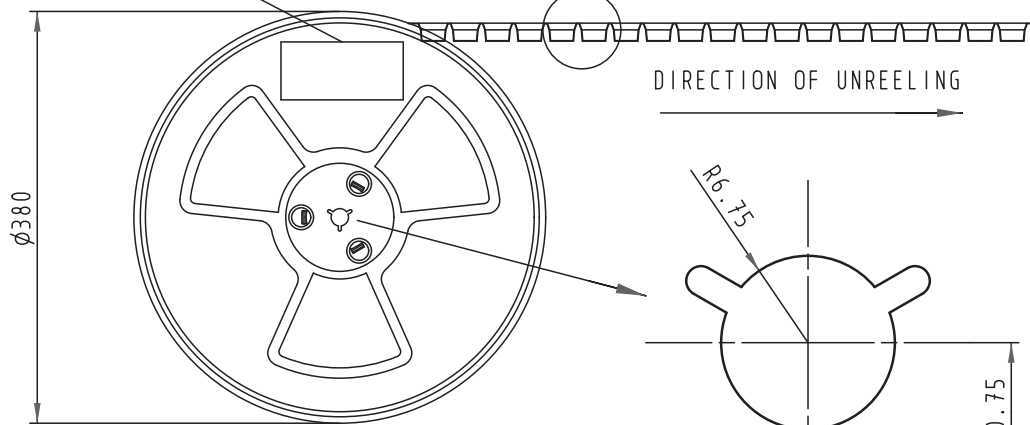
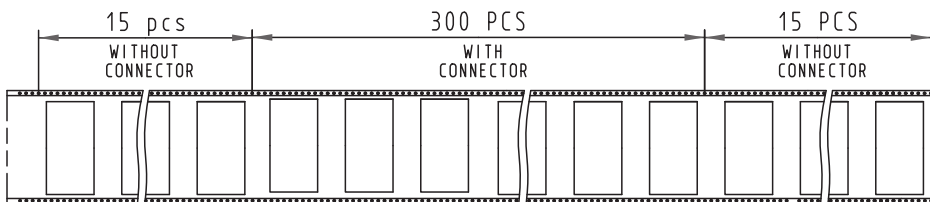
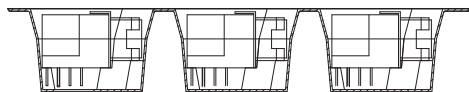
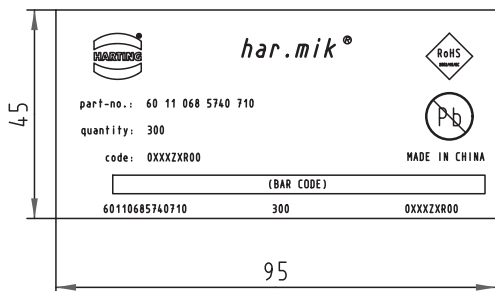
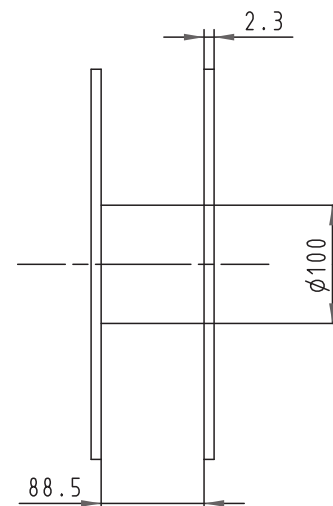
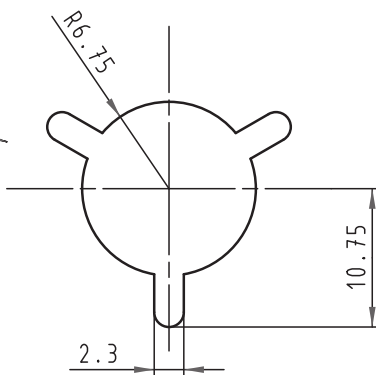


All rights reserved

REEL LABEL



DIRECTION OF UNREELING →



Packaging in accordance with EIA 481-2-A tape & reel packaging for gripping process

1) see TB 60 11 068 5740 folio 1/2 for connector dimensions and PCB layout

60 11 068 5740.710	in reel unit packaging 300 connectors
Part Number	Index designation

	All Dimensions in mm Original Size DIN A 3			Techn. Character.		Free size tolerances	
		Det.	Name	Scale 2:1	har.mik® I/O bellow 68P Har.mik female SMC with angled solder pins, boardLocks, fixed latches		
		29-OCT-09	J.Sheng				
		Insp.					
	Stand.			Zhuhai Harting Limited			
EC01456	13-Apr-10	J.Sheng			TB 60 11 068 5740		Page 2/2
31770	29-OCT-09	J.Sheng			Sub.		
Mod.	Dat.	Name					