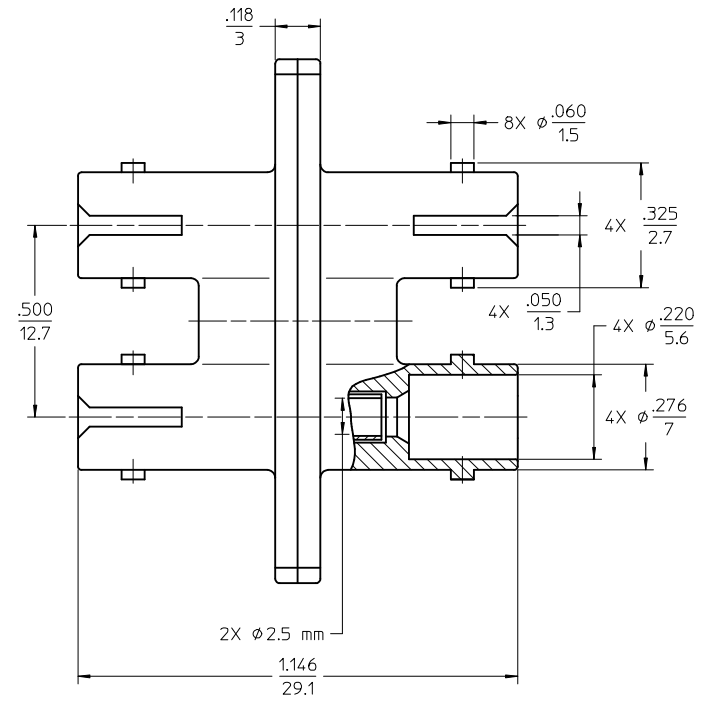
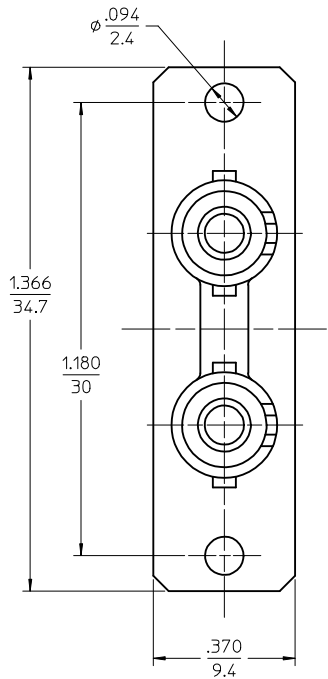
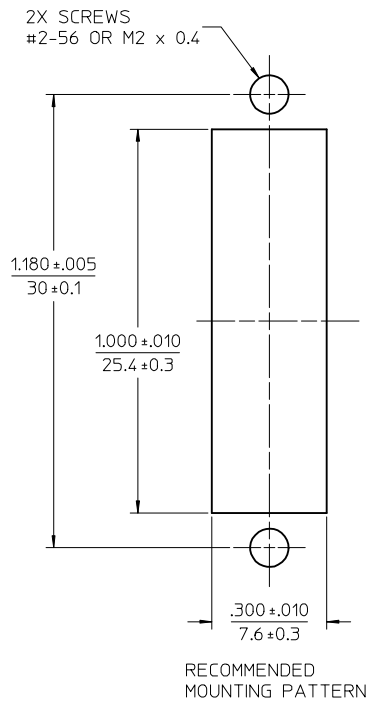


ADAPTER P/N	SLEEVE MATERIAL	ADAPTER COLOR
106166-2000	Zr CERAMIC	BLUE
106166-2010	Zr CERAMIC	BEIGE



NOTE:  
DUST CAPS ARE NOT SHOWN BUT INCLUDED.

<b>ENTER DESCRIPTION</b> EC NO: MF2009-0217 DRWN: IGUMIN 2008/11/07 CHKD: 2008/11/07 APPR: IGUMIN 2008/11/10 REV: A	<b>QUALITY SYMBOLS</b> =0 =0	<b>GENERAL TOLERANCES (UNLESS SPECIFIED)</b>		<b>DIMENSION STYLE</b> IN/MM	<b>SCALE</b> 4:1	<b>DESIGN UNITS</b> INCH	<b>THIRD ANGLE PROJECTION</b>		
		4 PLACES ± --- ± --- 3 PLACES ± --- ± --- 2 PLACES ± --- ± --- 1 PLACE ± --- ± ---	mm INCH ± --- ± --- ± --- ± --- ± --- ± --- ± --- ± ---	DRAWN BY IGUMIN	DATE 2008/11/06	<b>TITLE</b> ST DUPLEX ADAPTER			
		APPROVED BY IGUMIN		DATE 2008/11/06	<b>MOLEX INCORPORATED</b>				
		MATERIAL NO. <b>SEE TABLE</b>		DOCUMENT NO. SD-106166-20X0	SHEET NO. 1 OF 01				
DRAFT WHERE APPLICABLE MUST REMAIN WITHIN DIMENSIONS		THIS DRAWING CONTAINS INFORMATION THAT IS PROPRIETARY TO MOLEX INCORPORATED AND SHOULD NOT BE USED WITHOUT WRITTEN PERMISSION							