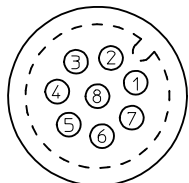


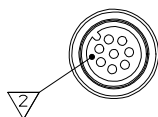
M12 8 POLE FEMALE



VIEW FROM THE WIRES SIDE

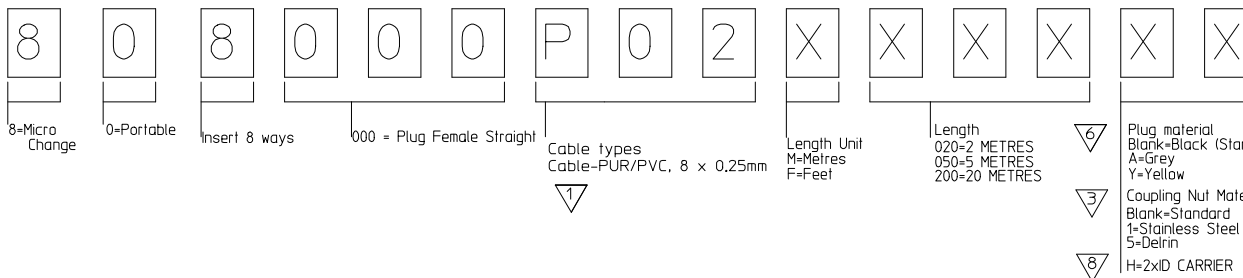
Pin	Wire color
1	WHITE
2	BROWN
3	GREEN
4	YELLOW
5	GRAY
6	PINK
7	BLUE
8	RED

Over	Up to and including	Tolerance (+)
0	305	+19
305	915	+45
915	1830	+56
1830	3660	+89
3660	7320	+165
7320	14640	+317
14640	30500	+610
30500	>	+2% of length

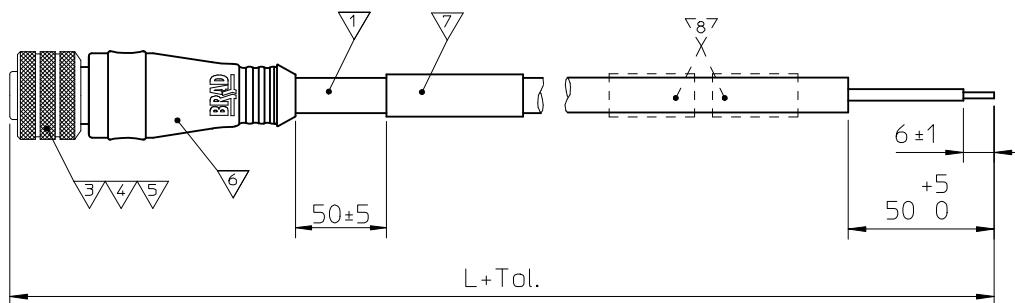


VIEW FROM THE FRONT SIDE

PART No MATRIX



OPTIONS



Bill of Materials

ITEM	QTY.	DESCRIPTION	MATERIAL	FINISH
8	-	ID CARRIER	-	-
7	-	LABEL	-	YELLOW
6	-	MOLDING MATERIAL	SEE MATRIX	SEE MATRIX
5	1	O-RING	FPM	RED
4	8	CONTACT FEMALE	SEE MATRIX	SEE MATRIX
3	1	COUPLING NUT FEMALE M12	SEE MATRIX	SEE MATRIX
2	1	INSERT M12 8P FEMALE	SEE MATRIX	SEE MATRIX
1	-	CABLE 8x0.25	PUR/PVC	BLACK

ORIGINAL RELEASE EC NO: IPG2016-0342 DRWN:AKONDRACIUK 2015/09/08 CHKD:MMAJGAT 2015/09/08 APPR:MIWASIECZKO 2015/09/16	QUALITY SYMBOLS ▽=0 ▽=0	GENERAL TOLERANCES (UNLESS SPECIFIED) mm INCH 4 PLACES ± --- ± --- 3 PLACES ± --- ± --- 2 PLACES ± --- ± --- 1 PLACE ± --- ± --- 0 PLACE ± --- ± --- ANGULAR ± 1 ° DRAFT WHERE APPLICABLE MUST REMAIN WITHIN DIMENSIONS	DIMENSION STYLE MM ONLY DRAWN BY: AKONDRACIUK DATE: 2015/09/08 CHECKED BY: MMAJGAT DATE: 2015/09/08 APPROVED BY: MIWASIECZKO DATE: 2015/09/16	SCALE -- DESIGN UNITS METRIC THIRD ANGLE PROJECTION	TITLE MMC-8P-8W-FE-ST-XXM-PUR
	MATERIAL NO.		DOCUMENT NO.		SHEET NO.
	SEE MATRIX		SD-120065-058		1 OF 1
	THIS DRAWING CONTAINS INFORMATION THAT IS PROPRIETARY TO MOLEX INCORPORATED AND SHOULD NOT BE USED WITHOUT WRITTEN PERMISSION				