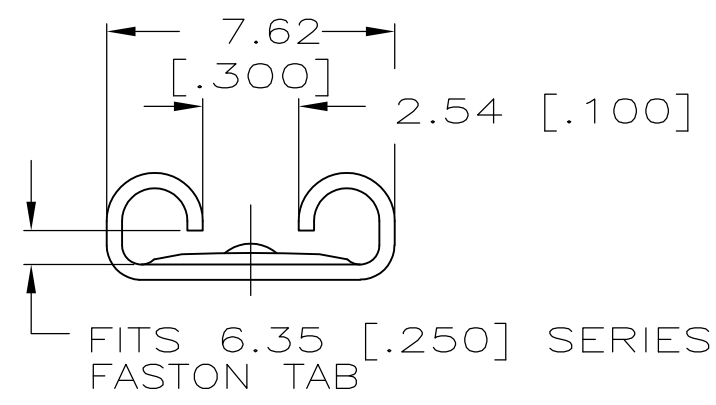
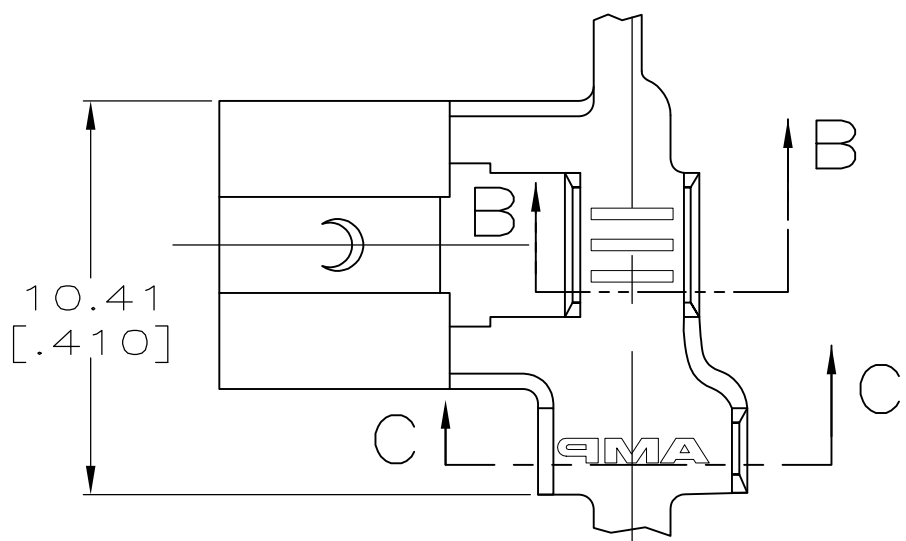


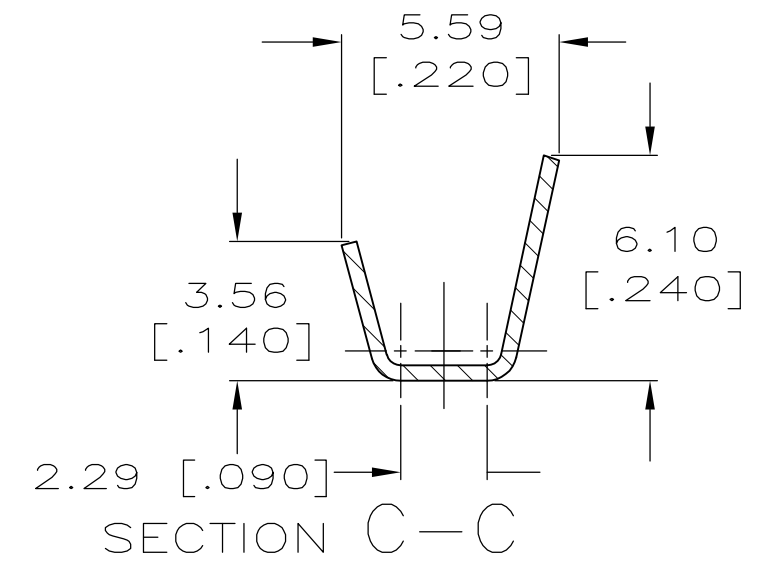
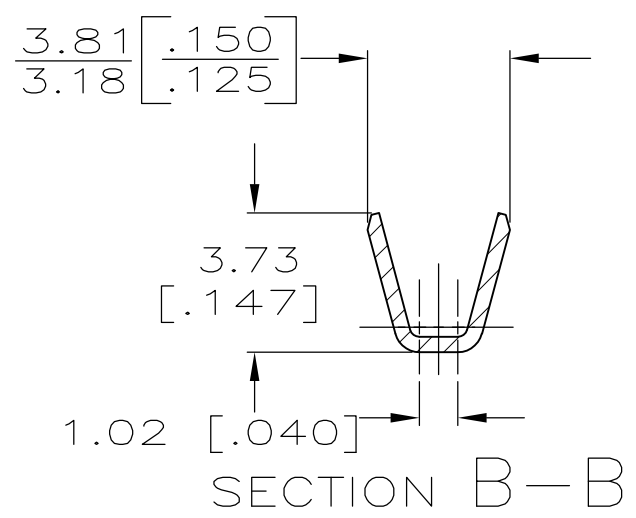
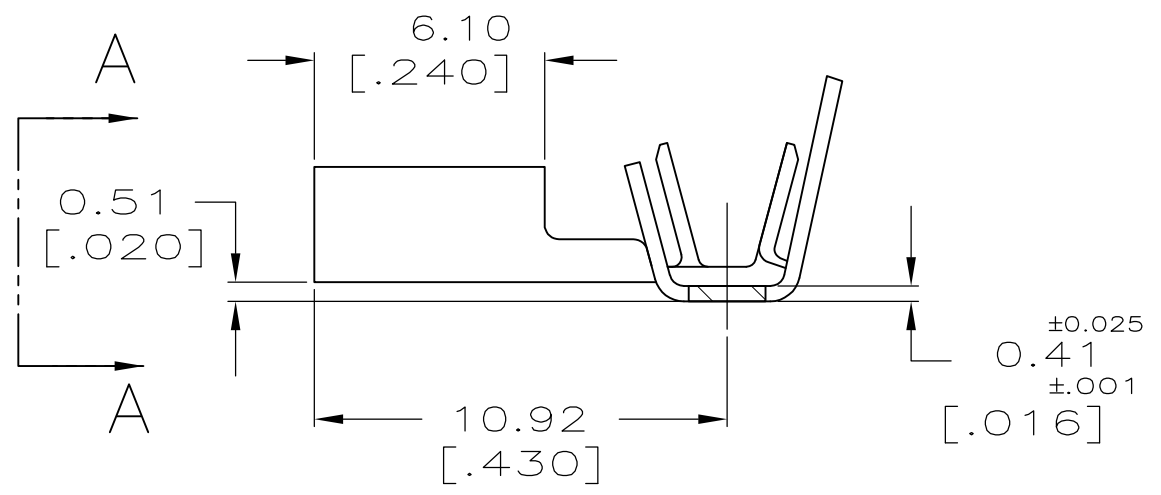
THIS DRAWING IS UNPUBLISHED. RELEASED FOR PUBLICATION
 © COPYRIGHT - By - ALL RIGHTS RESERVED.

LOC	DIST	REVISIONS			
P	LTR	DESCRIPTION	DATE	DWN	APVD
AF	50	G	REVISED PER ECR-12-013459	27NOV2012	KH PD

1 CONTINUOUS STRIP ON REELS.



VIEW A-A



TIN	2.79-4.06	0.8-2.0mm ²	0.81	63011-2
-	[.110-.160] DIA	[18-14] AWG	[.032]	63011-1
FINISH	INSUL RANGE	WIRE SIZE	MATING TAB THK ±0.025 [.001]	PART NO

THIS DRAWING IS A CONTROLLED DOCUMENT.		DWN	JR RUTH	4/8/91	STE TE Connectivity											
DIMENSIONS: mm [INCHES]		CHK	MS FEHER	4/8/91												
TOLERANCES UNLESS OTHERWISE SPECIFIED:		APVD	C MEYERS	4/8/91												
<table border="0"> <tr><td>0 PLC</td><td>± -</td></tr> <tr><td>1 PLC</td><td>± -</td></tr> <tr><td>2 PLC</td><td>± -</td></tr> <tr><td>3 PLC</td><td>± 0.38 [.015]</td></tr> <tr><td>4 PLC</td><td>± -</td></tr> <tr><td>ANGLES</td><td>± -</td></tr> </table>		0 PLC	± -	1 PLC		± -	2 PLC	± -	3 PLC	± 0.38 [.015]	4 PLC	± -	ANGLES	± -	PRODUCT SPEC	
0 PLC	± -															
1 PLC	± -															
2 PLC	± -															
3 PLC	± 0.38 [.015]															
4 PLC	± -															
ANGLES	± -															
MATERIAL	BRASS	FINISH	SEE TABLE	APPLICATION SPEC	RECEPTACLE, FASTON, FLAG, 6.35 [.250] SERIES											
		WEIGHT	-	SIZE	A3											
		CUSTOMER DRAWING		CAGE CODE	00779											
				DRAWING NO	C-63011											
				RESTRICTED TO	-											
				SCALE	5:1											
				SHEET	1 OF 1											
				REV	G											