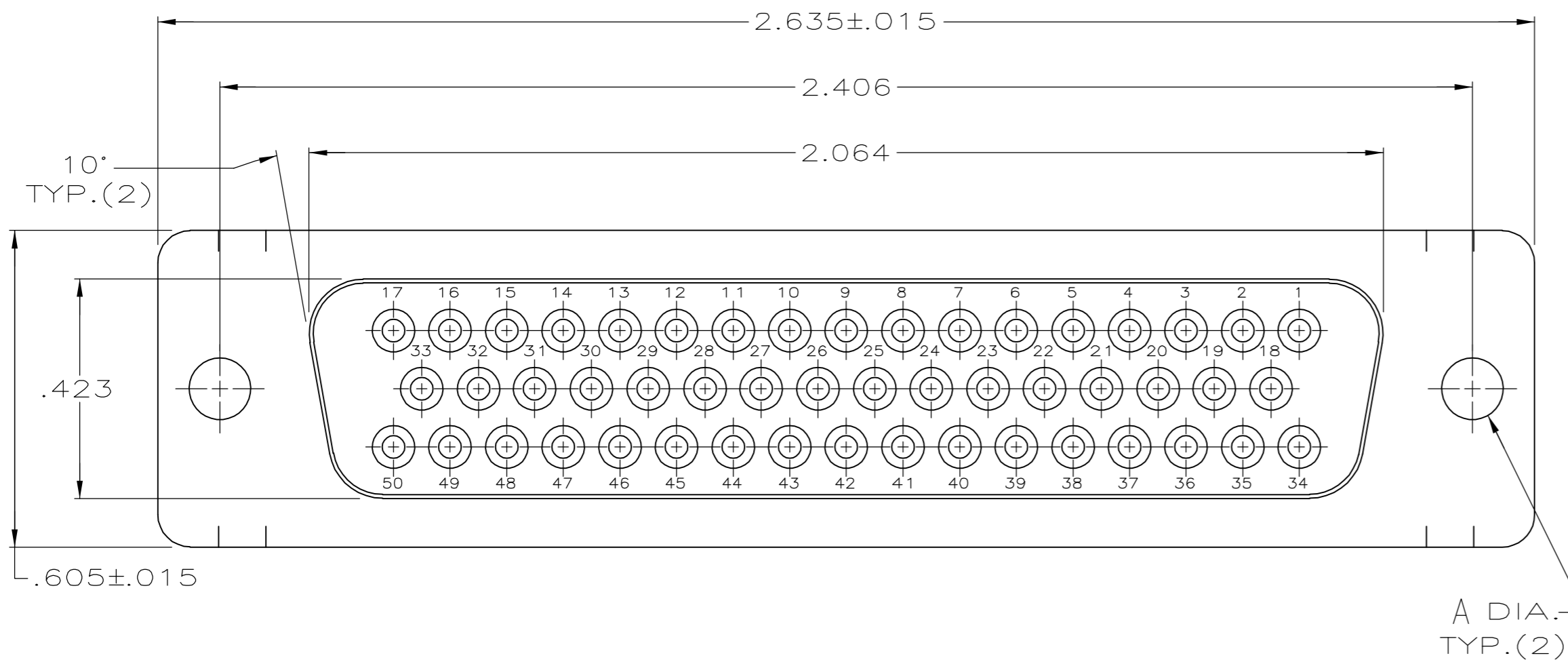
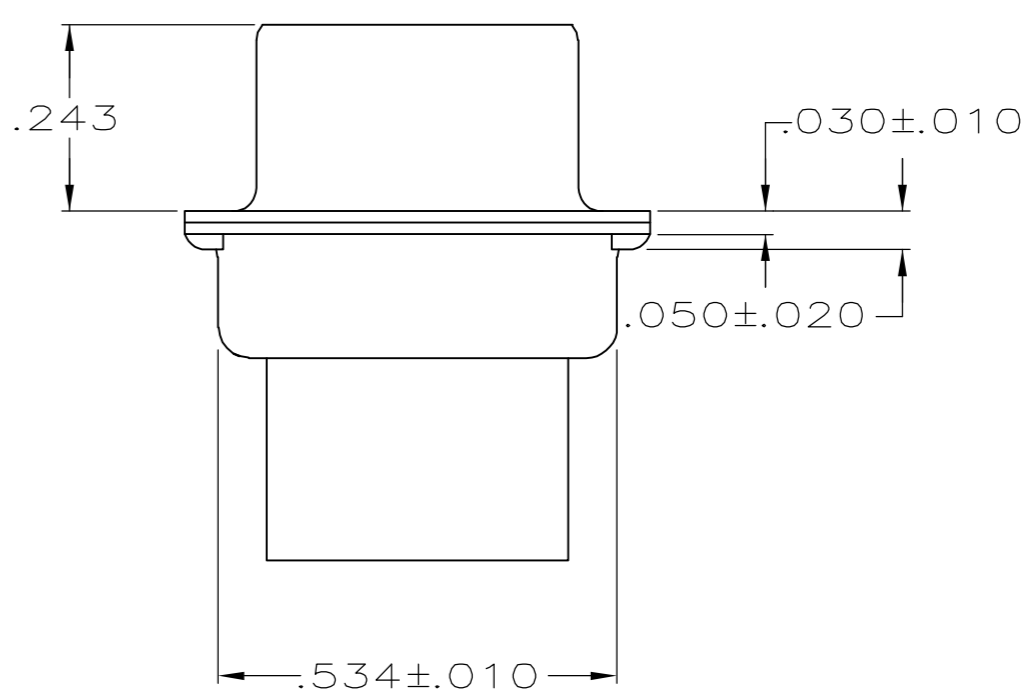
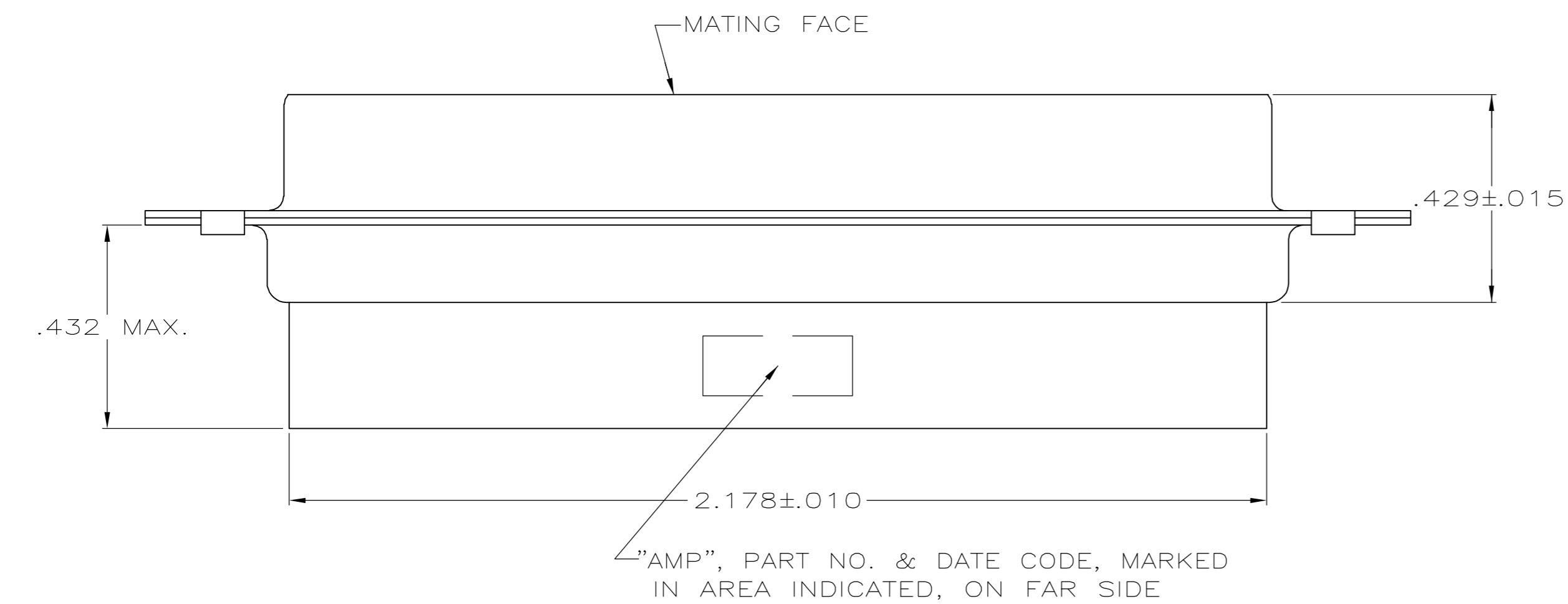


THIS DRAWING IS UNPUBLISHED. RELEASED FOR PUBLICATION
 © COPYRIGHT BY TYCO ELECTRONICS CORPORATION. ALL RIGHTS RESERVED.

LOC	DIST	REVISIONS			
P	LTR	DESCRIPTION	DATE	DWN	APVD
GP	00	H1	REVISED PER ECO-06-020813	6/NOV/06	ZR CR



- 1. CONNECTOR ACCEPTS SIZE 20 DF SOCKET CONTACTS, RETENTION TINES ARE AN INTEGRAL PART OF INSERT.
- 2. CONNECTOR COMPLIES WITH AMP SPEC. 108-40,005 WHERE APPLICABLE.
- ③ FLAME RETARDANT 94V-0 RATED GLASS FILLED NYLON, COLOR: BLACK.
- ④ STEEL PER ASTM A109.
- ⑤ ZINC PLATED PER ASTM B633; TYPE II; CLASS SC1; YELLOW CHROMATE.
- ⑥ TIN PLATED PER MIL-T-10727.



SUPERSEDED BY 205211-1	SMALL PACK	⑤	.120	205211-5
OBSOLETE	STANDARD	⑥	.154	205211-4
OBSOLETE	STANDARD	⑥	.120	205211-2
OBSOLETE	STANDARD	⑤	.120	205211-1

PACKAGING TYPE	SHELL FINISH	A	PART NUMBER
----------------	--------------	---	-------------

THIS DRAWING IS A CONTROLLED DOCUMENT.		DWN	S.WELDON	7-19-85	Tyco Electronics Corporation Harrisburg, PA 17105-3608
DIMENSIONS: INCHES		CHK	J.GERACE	7-29-85	
TOLERANCES UNLESS OTHERWISE SPECIFIED:		APVD	V.KUMAR	7-31-85	
0 PLC ± - 1 PLC ± - 2 PLC ± - 3 PLC ± .005 4 PLC ± - ANGLES ± 2°		PRODUCT SPEC	NAME		
MATERIAL		FINISH		WEIGHT	
MOLDED PARTS: ③		SHELLS: SEE TABLE		SCALE	
SHELLS: ③		CUSTOMER DRAWING		SCALE 4:1 SHEET 1 of 1 REV H1	