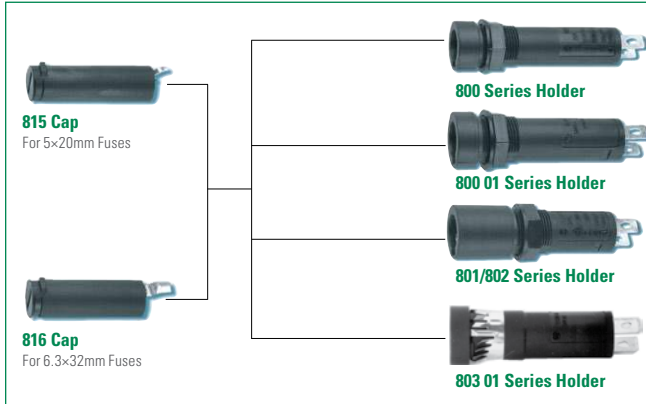


800/801/802/803 Series Panel Mount Enclosed Fuse Holders



**Agency Approvals**

Agency	Part Number				
	800	800 01	801	802	803 01
	Agency File Number				
	122016*	123336**	N/A	N/A	6914**
	E70164*				
	47574*	47574**		47574*	47574**

\* - Certification includes both 815 and 816 caps  
\*\* - Certification includes 816 cap only

**Additional Information**



**Datasheet 800 Series**



**Resources 800 Series**



**Samples 800 Series**



**Datasheet 801 Series**



**Resources 801 Series**



**Samples 801 Series**



**Datasheet 802 Series**



**Resources 802 Series**



**Samples 802 Series**



**Datasheet 803 Series**



**Resources 803 Series**



**Samples 803 Series**

**Product Characteristics**

Series	800	800 01	801/802	803 01
<b>Compatible Fuses</b>	5x20mm 6.3x32mm	6.3x32mm	5x20mm 6.3x32mm	6.3x32mm
<b>Materials</b>	Holder/Cap: Black Thermoplastic, UL94 V-0			<b>Clamp spring:</b> non-corrosion metal, untreated
	<b>Metal Parts:</b> Copper alloy, corrosion protected			
	<b>Terminals:</b> Solderable, tinned			
<b>Electrical Data (23°C)</b>	<b>Rated Voltage:</b> 250V <b>Rated Current:</b> 6.3A (800+815-VDE) 10A (800+816-VDE) 16A (UL/CSA)	<b>Rated Voltage:</b> 500V <b>Rated Current:</b> 10A (800+816-VDE) 16A (UL)	<b>Rated Voltage:</b> 250V <b>Rated Current:</b> 16A (UL/CSA)	<b>Rated Voltage:</b> 500V <b>Rated Current:</b> 10A (VDE) 16A (UL/CSA)
	<b>Rated Power:</b> 2.5W (VDE)			<b>Rated Power:</b> 4W (VDE) Pluggable with clamping spring in 12.7mm diameter D-hole v eter D-hole (panel of 0.75mm - 3 mm)
<b>Mounting</b>	12.7mm diameter D-hole or double D-hole Admissible torque on plastic hex nut is 1.2Nm			
<b>Terminals</b>	Solderable or 4.8mm quick connect-fits 0.5mm tab			
<b>Electronic Shock Protection</b>	PC2 (IEC 60127-6)			
<b>Ingress Protection</b>	IP 40 (IEC 60529)			
<b>Operating Temperature</b>	-25°C to +70°C			
<b>Climatic Test</b>	-25°C/+70°C/21 days (IEC 60068-2-1...3)			
<b>Stock Conditions</b>	+10°C to +60°C relative humidity ≤ 75% yearly average, without dew, maximum value for 30 days - 95%			
<b>Vibration Resistance</b>	24 cycles at 15 min. each (IEC 60068-2-6) 10 - 60Hz at 0.75mm amplitude 60 - 2000Hz at 10g acceleration			NA
<b>Contact Resistance</b>	≤ 5mΩ			
<b>Dielectric Strength</b>	> 1.5 kV			
<b>Impulse Voltage</b>	4 kV, 50 Hz, 1 min., dry			
<b>Insulation Resistance</b>	> 103 MΩ (500 VDC, 1 min.)			
<b>Solderability</b>	235°C, 3 sec. (Wave) 350°C, 1 sec. (Soldering Iron)		235°C, 2 sec. (Wave) 350°C, 1 sec. (Soldering Iron)	235°C, 2 sec. (Wave) 350°C, 3 sec. (Soldering Iron)
<b>Solder Heat Resistance</b>	260°C, 5 sec. (IEC 60068-2-20)			
<b>Min. Cross Section</b>	Conductor - 2.5mm <sup>2</sup>			
<b>Marking</b>	800, 250V, Approvals	800 01, 500V, Approvals	Series, 250V, Approvals	803, 500V, Approvals
<b>Unit Weight</b>	4.7g (Holder) 2.5g (Cap)		5.0g (801/802) 2.5g (815/816)	4.9g (803) 2.0g (816)

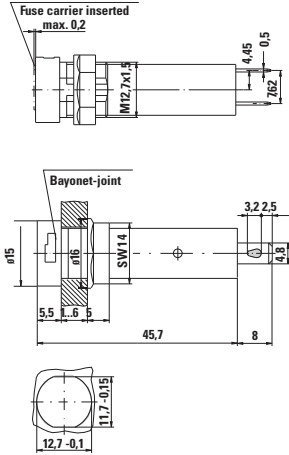
Note: Refer to [Fuseology](#) for information on proper fuseholder re-rating

**Ordering Information**

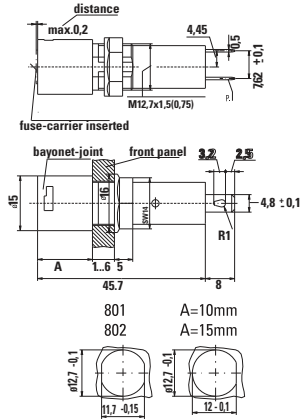
<b>Holders</b>	80000000005	80000000105	80100000005 80200000005	80300000105
<b>Caps</b>	For 5x20mm fuse: <b>81500000005</b> For 6.3x32mm fuse <b>81600000005</b>			
<b>Packaging</b>	Bulk 100 Pcs all items listed above			

**Dimensions (millimeters)**

**800/800 01 Series**

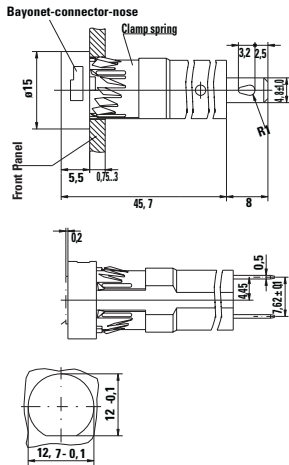


**801/802 Series**

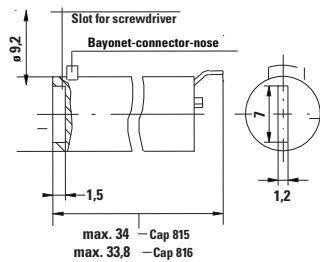


801 A=10mm  
802 A=15mm

**803 01 Series**



**815/816 Cap**



max. 34 - Cap 815  
max. 33.8 - Cap 816