



FOR USE WITH PANDUIT® SURFACE RACEWAY ROUTING SYSTEM

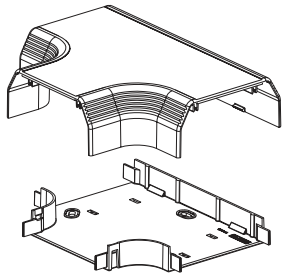
TYPE T-70 TEE FITTING

Part Numbers: T70T, T70TDT, T70TDC, T70TDB

INSTALLATION INSTRUCTIONS

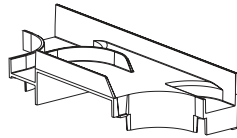
©Panduit Corp. 1998

Made in U.S.A.

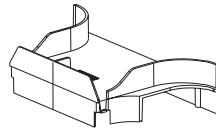


T70T

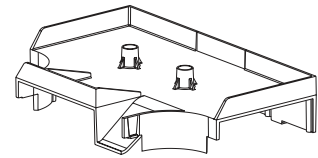
OPTIONAL INSERTS



T70TDT

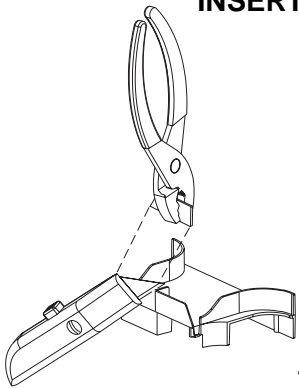


T70TDC

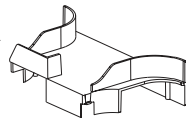


T70TDB

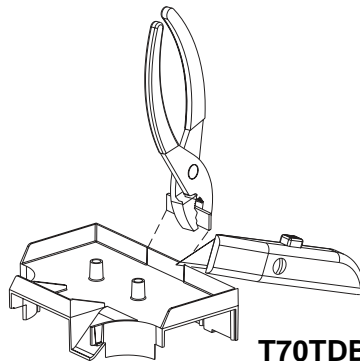
INSERT BREAKOUTS



OR



T70TDC

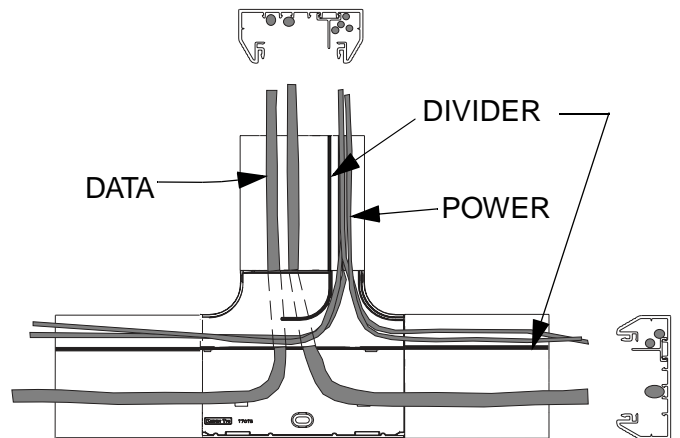
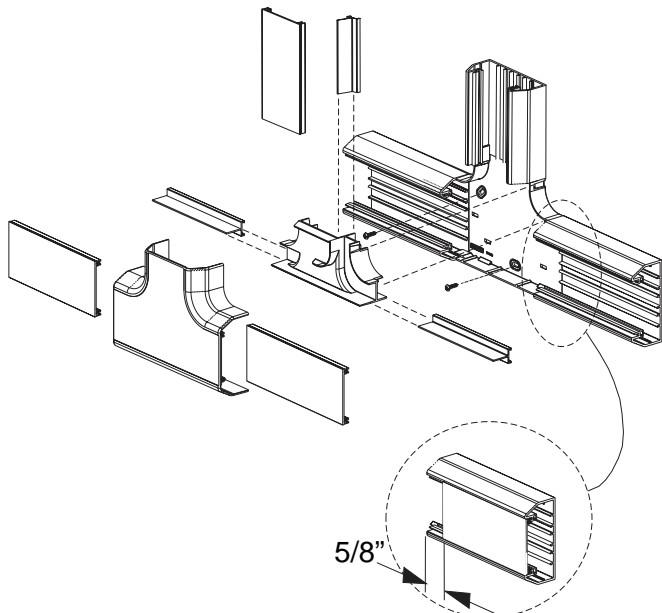


T70TDB



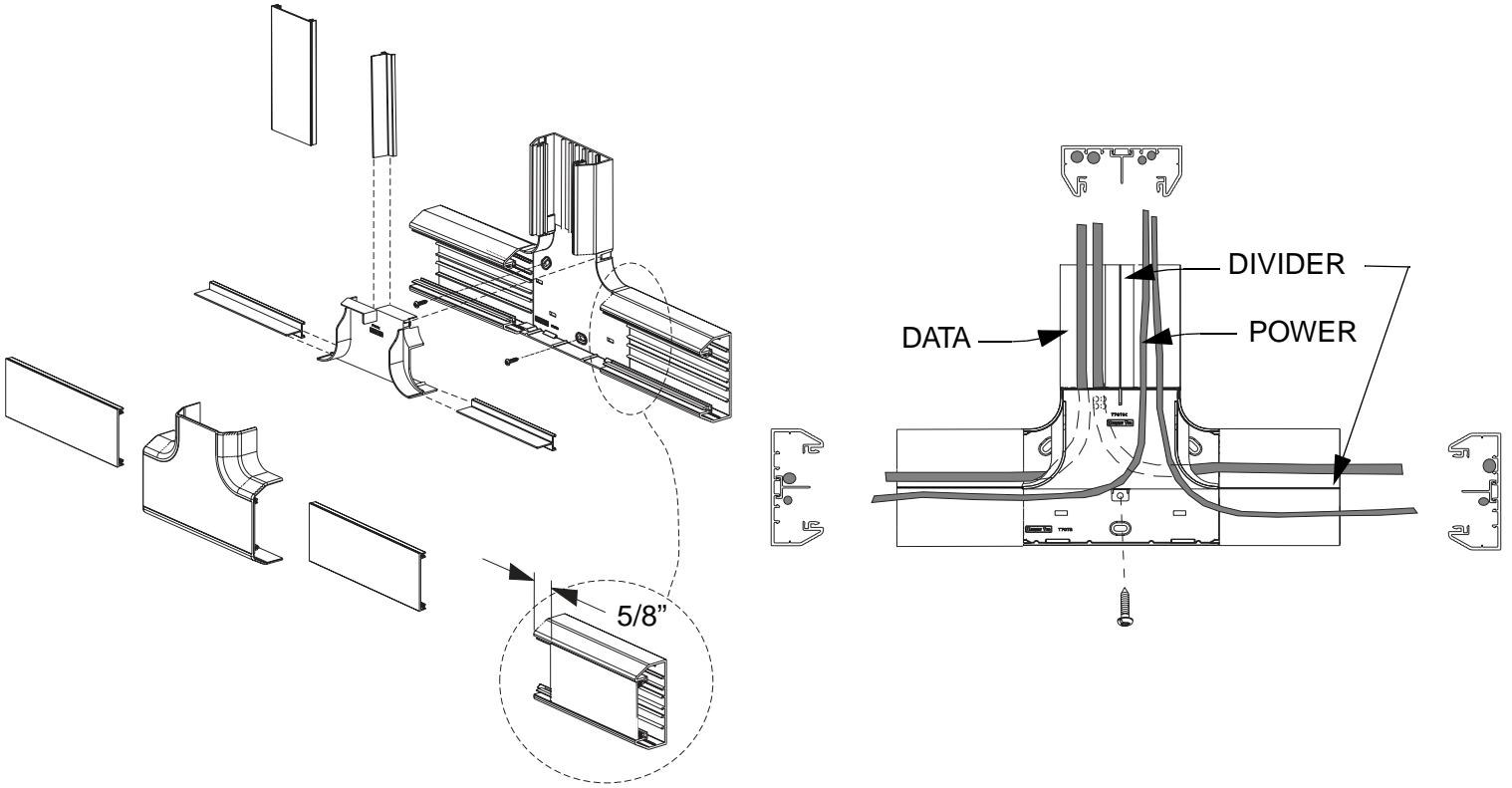
The mounting hardware used to secure the raceway and fittings shall be appropriate for the mounting surface and application.

T70T INSTALLATION WITH T70TDT INSERT



TYPE T-70 SURFACE RACEWAY "T" FITTING INSTALLATION INSTRUCTIONS

T70T INSTALLATION WITH T70TDC INSERT



T70T INSTALLATION WITH T70TDB

