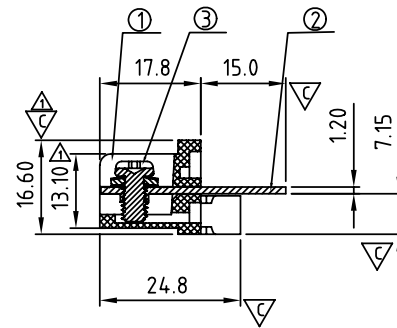
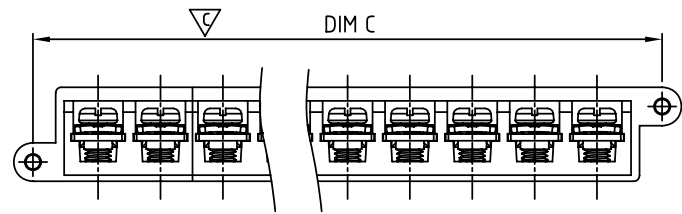
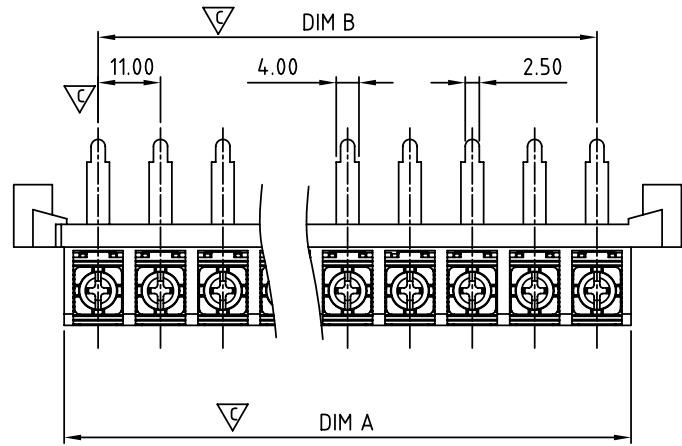


SIGN	DATE	DESCRIPTION	APPROVER
△	10/23'06	Added demention 16.60 and 13.10	Steady
△	5/20'09	Voltage & Current changed from DC 24V,30A to 300V,20A	Eris
△	5/20'09	Temperature changed from -4.0°C-105°C to -4.0°C-115°C	Eris
△	5/20'09	Screw torque value changed from 10Kgf.cm to 11lb-In	Eris
△	5/20'09	Add approval "CULUS"	Eris
△	01/12'10	The Dimension is changed from : N×11.0+0.6 to N×11.0+0.2	Seamus
△	12/05'12	Change the screw plating specification	Jacky

*THIS IS CAD DRAWING, DO NOT REVISE MANUALLY!!!*



**MATERIALS ELECTRICAL**

- △ RATED VOLTAGE & CURRENT: 300 V, 20 A
- WITHSTAND VOLTAGE: AC 2000 V/Min
- INSULATION RESISTANCE: 1000 MΩ OR MORE AT DC 500 V
- △ OPERATING TEMPERATURE RANG: -40 °C ~ +115 °C
- △ SCREW TORQUE VALUE: 11lb-In
- WIRE RANGE: 22-12 AWG
- 1) MOLDED PARTS: Thermoplastic ( UL 94 V-0 )
- 2) TERMINAL: BRASS, 1.2t, Tin PLATED
- 3) TERMINAL SCREWS: STEEL, M4

△ APPROVAL:

PART NO.:

Critical dimension:

**YK 112 xx 3 x x 00G**

- NO. OF POLES
- 02: 2 POLES
  - 03: 3 POLES
  - 04: 4 POLES
  - ...
  - 30: 30 POLES

G RoHS compliant  
(lead<4%) In copper Alloy

MARK

- 0: "@ " MARK
- 1: "ANY " MARK

TERMINAL & SCREW PLATED

- 0: TERMINAL & SCREW: G/F
- △ 1: TERMINAL: G/F, SCREW: Zinc
- 2: TERMINAL: Sn, SCREW: G/F
- △ 3: TERMINAL: Sn, SCREW: Zinc

**Dimension A&B&C**

DIM A	N×11.0+0.2	△
DIM B	(N-1)×11.0	
DIM C	(N+1)×11+1	

N=Number of poles

Poles	A&B Tolerance
2P-8P	±0.20
9P-14P	±0.30
15P-20P	±0.40
21P-24P	±0.50
25P-30P	±0.60

**ANYTEK**

**CUSTOMER COPY**

ALL RIGHTS RESERVED. REPRODUCTION OR ISSUE TO THIRD PARTIES IN ANY FORM WHATSOEVER IS NOT PERMITTED WITHOUT WRITTEN AUTHORITY FROM THE PROPRIETOR. PROPERTY OF ANYTEK TECHNOLOGY CO., LTD

TITLE		YK-112 W/Flange Series		DWG NO.		8YK0001-112	
PART NO.		YK112xx3xx00G		DWG NO.		8YK0001-112	
APPROVED	CHECKED	DESIGNED	DRAWN	CUST NO.		Tolerance	
		Jacky	Jacky			X.	±0.50
		2012.12.05	2012.12.05			X.X	±0.30
				SHEET: 01/01		X.XX	±0.10
						X°	±1°