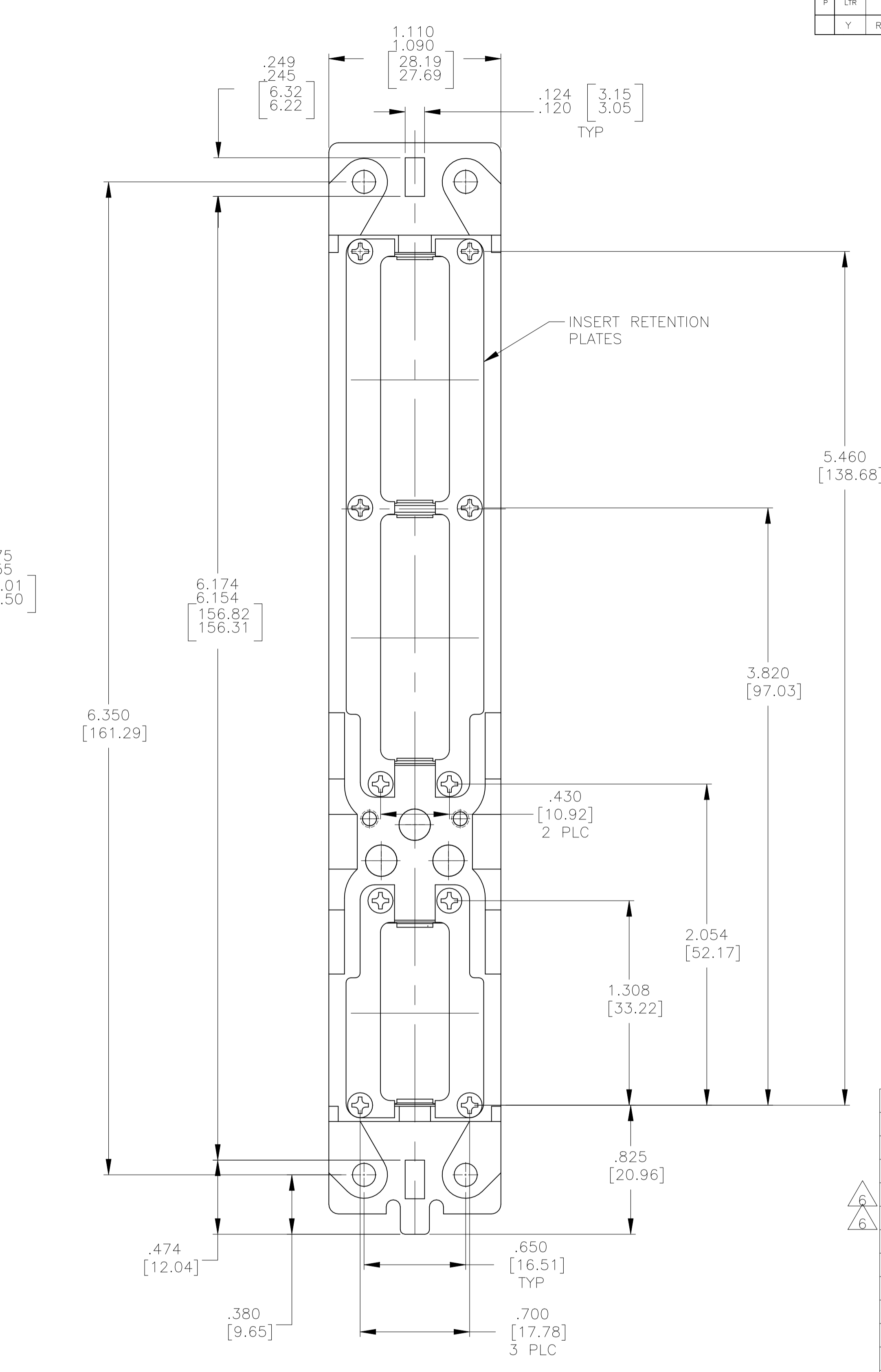
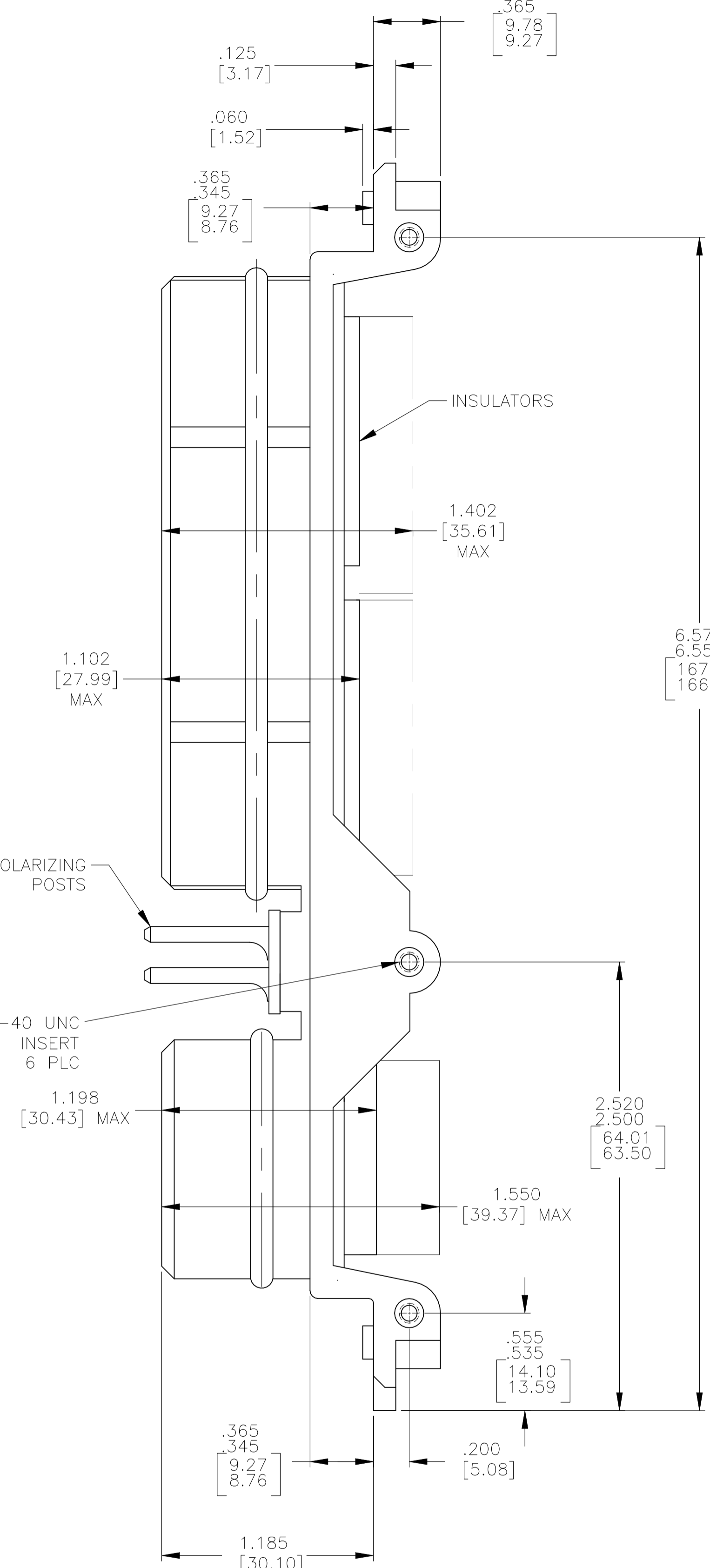
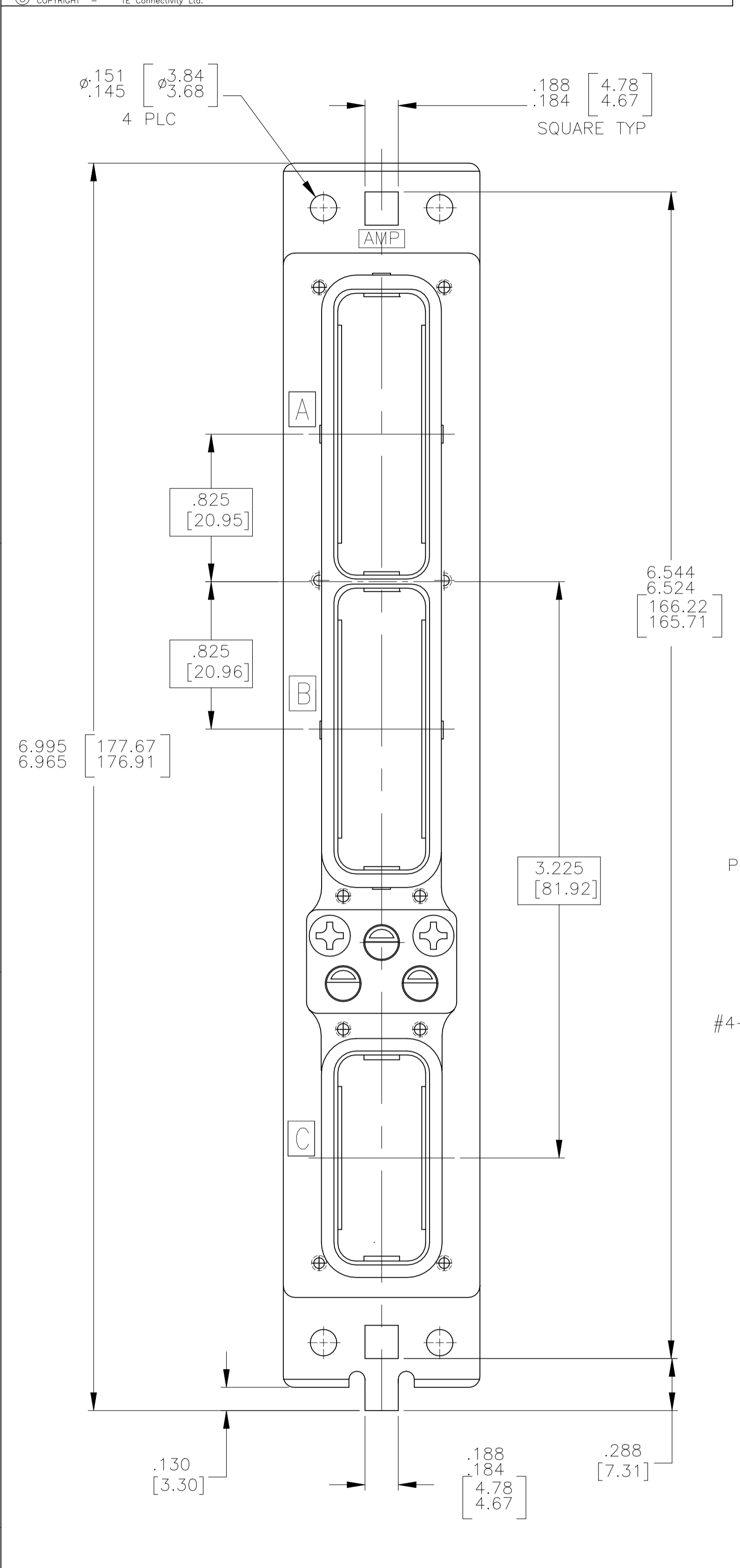


REVISIONS				
P	LTR	DESCRIPTION	DATE	APPV
Y	REV PER ECN-22-166960		29JUL2022	JAB RL



- CONNECTOR DIMENSIONS ARE PER ARINC 600 SPECIFICATION
  - KEYING SHOWN IN POSITION "01" FOR REFERENCE ONLY. CONNECTOR SHIPPED WITH KEYING PER ORDERING INSTRUCTIONS. FOR POSITION "00" KEYING SHIPPED UNASSEMBLED.
  - FOR SHIPMENT CONTACTS (IF ORDERED) ARE INCLUDED IN A CONTAINER WITHIN THE CONNECTOR PACKAGE. COAX CONTACTS ARE NOT SUPPLIED AND MUST BE ORDERED SEPARATELY.
- 4 SEE RESTRICTED CUSTOMER DRAWING 208598-7
  - 5 SPECIAL WITH INSERTS 60/OPEN/5C2, STANDARD MOUNTING, NO CONTACTS
  - 6 PRELIMINARY, NOT RELEASED FOR PRODUCTION
  - 7 FINISH OF SHELLS AND RETENTION PLATES IS ELECTROLESS NICKEL PER MIL-C-26074, CLASS 3 OR 4, GRADE B (5--2 ONLY)
  - 8 OBSOLETE PART NUMBER.

COMPONENT	MATERIAL	FINISH
SHELL	DIE CAST ALUMINUM PER ASTM-B-85	7 CHROMATE CONVERSION PER MIL-C-5541, TYPE II, CLASS 3
RETENTION PLATES	ALUMINUM ALLOY PER ASTM-B-209	7 CHROMATE CONVERSION PER MIL-C-5541, TYPE II, CLASS 3
SCREWS	STEEL OR STAINLESS STEEL	STAINLESS STEEL OR PASSIVATED
POLARIZING POSTS	ZINC ALLOY PER ASTM-B-86	ELECTROLESS NICKEL PER MIL-C-26074, CLASS 4, GRADE B
INSERTS	THERMOSET	-
FILLER PLUG (IF ORDERED)	TEFLON	-
POLARIZING POST RETAINING PLATE	ALUMINUM ALLOY PER ASTM-B-209	BLUE ANODIZED PER MIL-A-8625

JURISDICTION EAR  
 CLASSIFICATION EAR99  
 DATE OF MARKING 29JUL2022

WARNING - THIS DOCUMENT CONTAINS TECHNOLOGY WHOSE EXPORT IS RESTRICTED BY THE EXPORT ADMINISTRATION REGULATIONS ("EAR") PURSUANT TO 15 C.F.R. PARTS 730-774. VIOLATIONS OF THE EAR ARE SUBJECT TO SEVERE CRIMINAL PENALTIES UNDER THE EXPORT CONTROL REFORM ACT, AS AMENDED (TITLE 50, U.S.C., SEC. 4801, ET SEQ.).

DESCRIPTION	PART NUMBER
NIC66F11B44AA0	5-208598-2
NIC66F11C22AA0	1-208598-7
NIC66F11C08CBO	1-208598-6
NIC66F11C07CBO	1-208598-5
NIC66F11C00AA1	1-208598-4
SPECIAL	1-208598-3
SPECIAL	1-208598-2
SPECIAL	1-208598-1
SPECIAL	208598-0
SPECIAL	208598-9
SPECIAL	208598-8
SPECIAL	208598-7
SPECIAL	208598-6
SPECIAL	208598-5
NIC66F11B22AA1	208598-4
NIC66F11C01AA1	208598-3
NIC66F11B01AA1	208598-2
NIC66F11B01AA0	208598-1

THIS DRAWING IS A CONTROLLED DOCUMENT.

DIN C.C.THOMAS 11-20-04  
 CHK 4-11-05  
 R GROSS  
 R GROSS 4-11-05  
 NAME

TE Connectivity Ltd.

PLUG ASSY, SIZE 1, SEALED CLASS B, PLUG, ARINC 600

SIZE CASE CODE DRAWING NO RESTRICTED TO  
 A1 00779 C=208598

CUSTOMER DRAWING SCALE 2:1 SHEET 1 of 1 REV Y