

**SAFETY ORGANIZATIONS**

THIS FILTER HAS BEEN FORMALLY RECOGNIZED, CERTIFIED OR APPROVED BY THE LISTED AGENCY. THEREFORE, ALL TEST/REQUIREMENTS SPECIFIED IN THE LATEST REVISION OF THE FOLLOWING AGENCY STANDARDS HAVE BEEN MET:

UL RECOGNIZED: UL 1283  
 CSA CERTIFIED: CSA 22.2, # 0.0.4.8  
 VDE APPROVED: EN 133 200

**OPERATING SPECIFICATIONS**

LINE CURRENT/VOLTAGE: 15 AMP, 120/250 VAC,  
 10 AMP/40°C, 250 VAC

LINE FREQUENCY: 50-60Hz

MAXIMUM LEAKAGE CURRENT,  
 EACH LINE TO GROUND: 2.1 μA @ 120V 60Hz  
 3.65 μA @ 250V 50Hz

OPERATING AMBIENT TEMP. RANGE: -10°C TO +40°C @ RATED CURRENT, I<sub>r</sub>.

IN AN AMBIENT, T<sub>0</sub>, HIGHER THAN 40°C, THE MAXIMUM OPERATING CURRENT, I<sub>0</sub>, IS AS FOLLOWS:

$$I_0 = I_r \sqrt{\frac{100 - T_0}{60}}$$

**RELIABILITY SPECIFICATIONS:**

STORAGE TEMPERATURE: -40°C TO +85°C  
 HUMIDITY: 21 DAYS @ 40°C 95% RH.  
 CURRENT OVERLOAD TEST: 6 TIMES I<sub>r</sub> FOR 8 SECONDS

**TEST SPECIFICATIONS:**

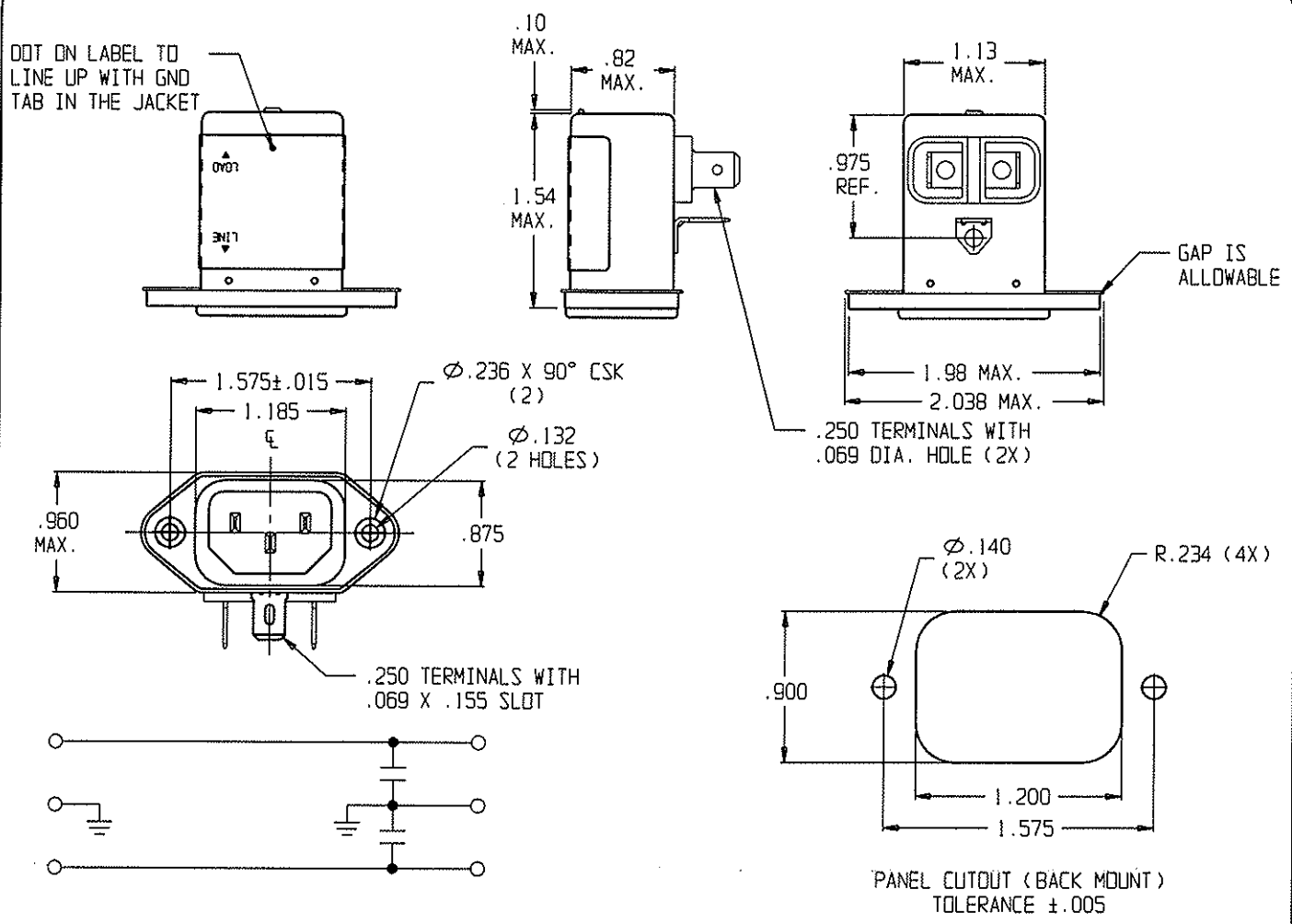
INDUCTANCE: N/A mH  
 CAPACITANCE: (MEASURED @ 1KHz, 0.250VAC MAX., 25°C±1°C)  
 LINE TO GROUND: 33pF ± 25%  
 LINE TO LINE: N/A  
 DISCHARGE RESISTOR: N/A  
 L/G AND L/L I.R.: N/A  
 NO DISCHARGE RESISTOR: 6000Ω (MIN.) @ 100VDC, 20°C AND 50% RH

**RECOMMENDED RECEIVING INSPECTION HIPOT:**

LINE TO GROUND: 1500 VAC FOR 1 MINUTE  
 LINE TO LINE: 1450 VDC FOR 1 MINUTE

**FILTER APPROVAL:**

THE BEST WAY TO SELECT AND QUALIFY A FILTER IS FOR YOUR ENGINEERING TO TEST THE UNIT IN YOUR EQUIPMENT.



|                                    |     |     |    |    |     |     |   |   |
|------------------------------------|-----|-----|----|----|-----|-----|---|---|
| 50Ω - 50Ω (MINIMUM) INSERTION LOSS |     |     |    |    |     |     | THIRD ANGLE PROJECTION  | <br>620 S. BUTTERFIELD RD. MUNDLEIN IL 60060                          |
| FREQUENCY MHz                      | 1.0 | 5.0 | 10 | 50 | 200 | 300 | UNLESS OTHERWISE SPECIFIED,<br>TOLERANCE TO BE ±.025<br>MATERIAL & FINISH: AS SUPPLIED  |   |
| COMMON dB                          | /   | /   | /  | /  | 18  | 20  | This document is proprietary to CORCOM INC. and is not to be reproduced nor used for manufacturing purposes except on CORCOM'S prior written consent. |   |
| DIFF. dB                           | /   | /   | /  | /  | /   | /   |   |   |
|                                    |     |     |    |    |     |     | CAD FILE: G:\CD\15SRB2-000<br>SCALE: .75:1<br>DATE: 18JAN06<br>DRW. BY: SD<br>ORTG: PJO   | TYCO # 4-6609987-6<br>CATALOG NO.<br><b>15SRB2-Q</b><br>REV. <b>0</b> |