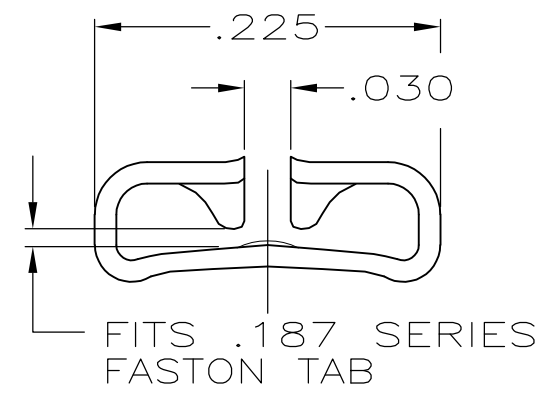
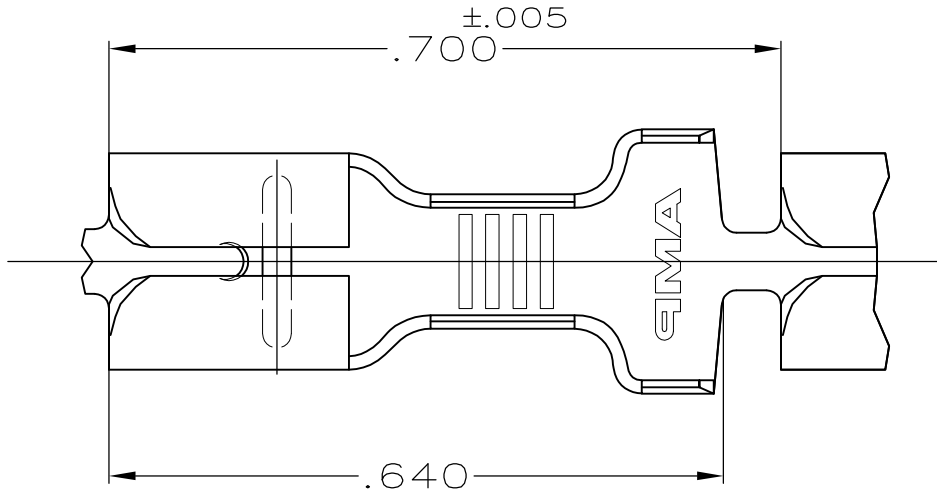


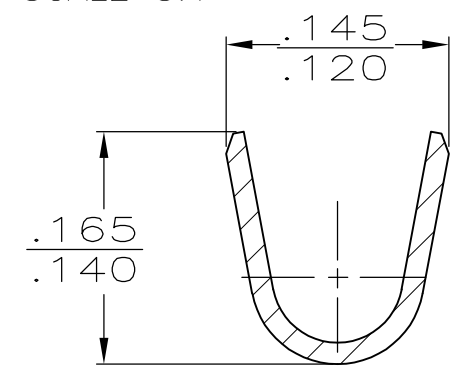
THIS DRAWING IS UNPUBLISHED. RELEASED FOR PUBLICATION  
 © COPYRIGHT - By - ALL RIGHTS RESERVED.

LOC	DIST	REVISIONS			
P	LTR	DESCRIPTION	DATE	DWN	APVD
AF	50	F	REVISED PER ECR-12-013459	28NOV2012	KH PD

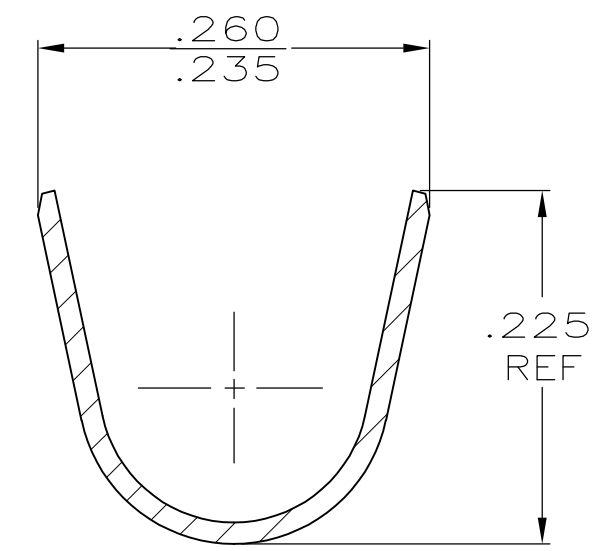
1 CONTINUOUS STRIP ON REELS.



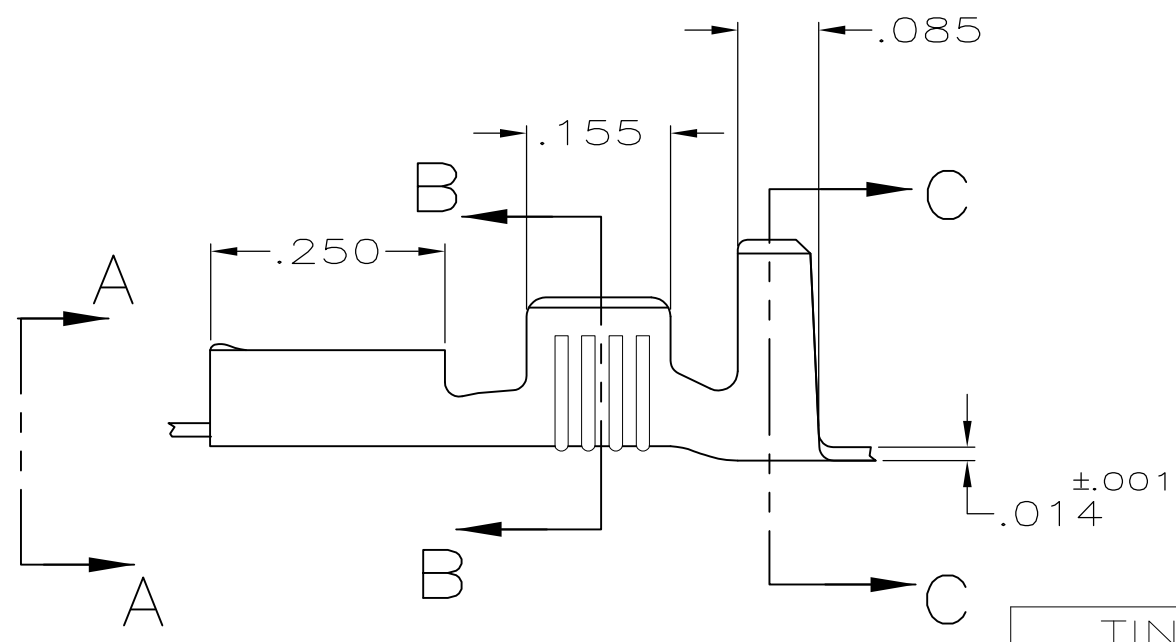
VIEW A-A  
SCALE 8:1



SECTION B-B  
SCALE 8:1



SECTION C-C  
SCALE 8:1



TIN	.150-.190 DIA	#18-14 AWG	.020	62016-2
-				62016-1
FINISH	INSUL RANGE	WIRE SIZE	MATING TAB THK ±.001	PART NUMBER

THIS DRAWING IS A CONTROLLED DOCUMENT.		DWN JR RUTH 11/7/91	TE Connectivity RECEPTACLE, FASTON,™ .187 SERIES	
DIMENSIONS: INCHES		CHK MS FEHER 11/7/91		
TOLERANCES UNLESS OTHERWISE SPECIFIED:		APVD C MEYERS 11/7/91		
0 PLC ± - 1 PLC ± - 2 PLC ± - 3 PLC ± .010 4 PLC ± - ANGLES ± -		NAME		
MATERIAL BRASS		FINISH SEE TABLE	PRODUCT SPEC -	SIZE A3
			APPLICATION SPEC -	CAGE CODE 00779
			WEIGHT -	DRAWING NO C-62016
			CUSTOMER DRAWING	RESTRICTED TO -
			SCALE 5:1	SHEET 1 OF 1
				REV F