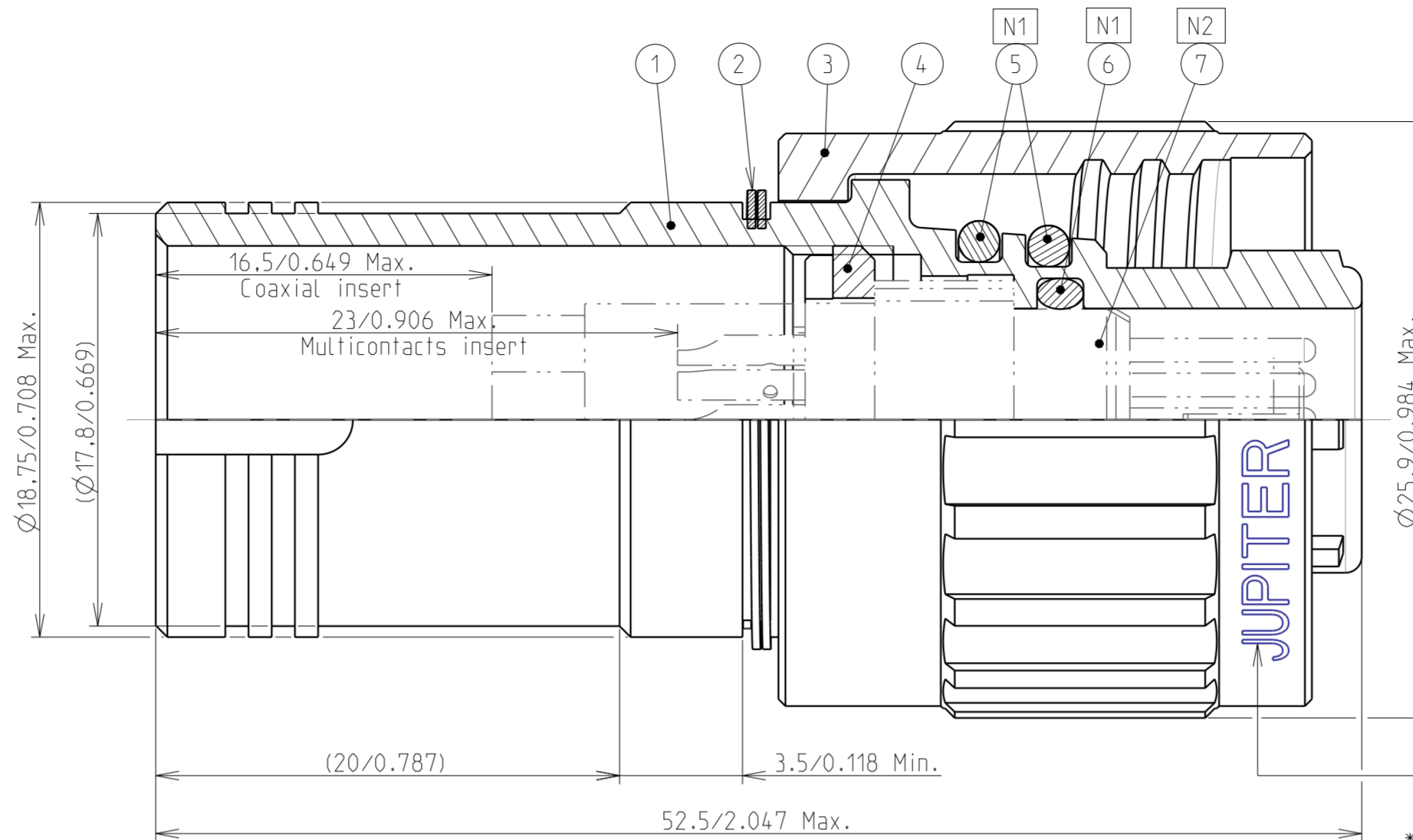
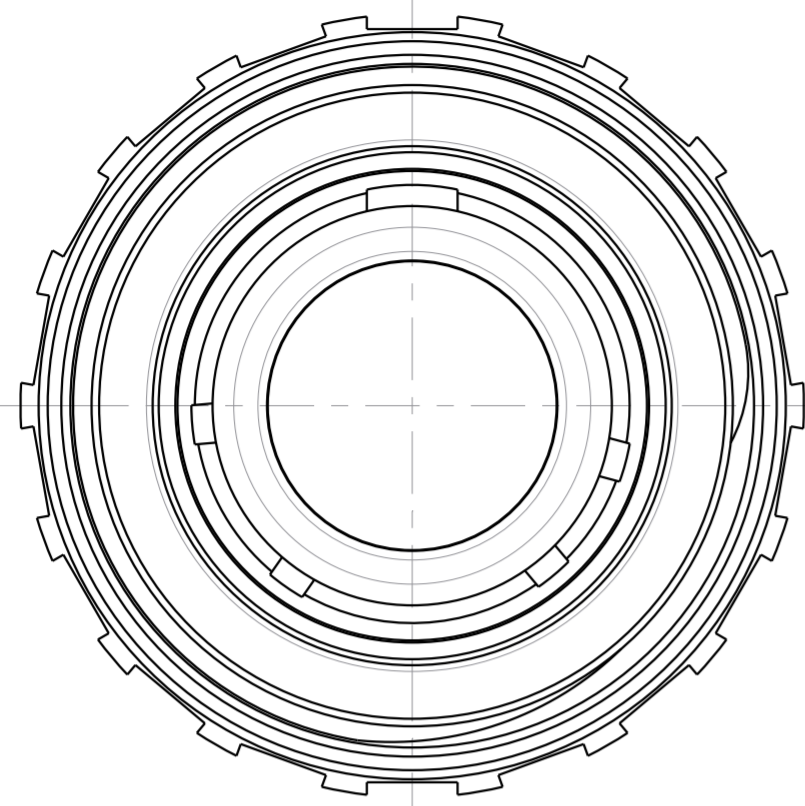


Country	Jurisdiction & Control List
FR	NOT LISTED

	critical dimension
	major dimension



MARQUAGE/MARKING

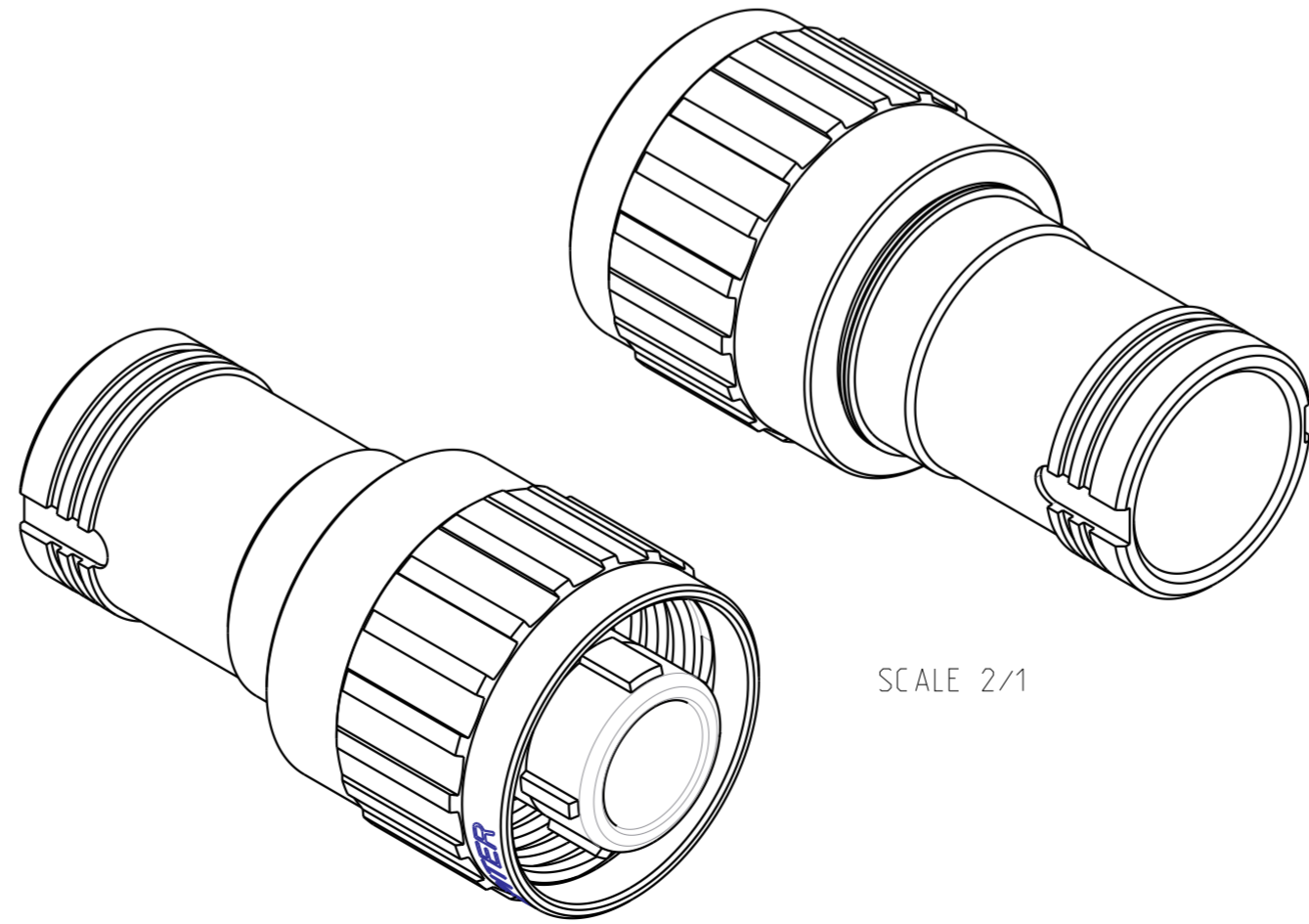
**** JUPITER FR FED10PLY
 SEMAINE/WEEK
 ANNEE/YEAR

- N1 : MONTAGE AVEC GRAISSE
MOUNTING WITH GREASE
- N2 : ISOLANT HORS FOURNITURE
INSERT NOT SUPPLIED

**REFERENCE COMMERCIALE
PART NUMBER**

CFE10PLY

7	ISOLANT / INSERT
6	JOINT TORIQUE ISOLANT / O-RING INSERT
5	JOINT TORIQUE ACCOUPLEMENT / O-RING COUPLING
4	BAGUE DE RETENUE / RETAINING RING
3	DOUILLE D'ACCOUPLEMENT / COUPLING RING
2	CIRCLIPS / RETAINING CLIP
1	FICHE DROITE FED / STRAIGHT PLUG FED
REP	DESIGNATION



A	05/09/16	Initial drawing	ORAIN	MEFFRE	DIFF
Iss	Date	MODIFICATIONS	A C Naf.	Designed by	Checked by
MATERIAL --		TREATMENT	PROTECTION/PLATING		
--		--	--		
--		--	CODE --		
DIMENSIONS ARE DEFINED BEFORE PLATING					
TITLE	FICHE DROITE FED SA / STRAIGHT PLUG FED SA TYPE				PROJECT
	SERIE PL - TAILLE 10				PL54
Material Reference Voir Référence Commerciale / See Part Number					
		Generales tolerances ISO 2768	SOURIAU		
Scale 4/1	General machining	Surface texture	SOURIAU 3. RUE DU VALLON ZAC N°2 94440 MAROLLES-EN-BRIE (FRANCE) TEL. 33 (0)1 45 10 78 00		
Geometrical Tolerances: NF EN ISO 1101		This document is the property of SOURIAU it must not be reproduced or communicated without permission.		FORMAT A2	SOURIAU DRG N° 542F0130A8C
		Iss	SHEET		
		A	1/1		