

INJ-0200-60-24-T

Industrial IEEE 802.3bt Gigabit Type 3 4PPoE Injector, EOT: -40° to 75°C



Features

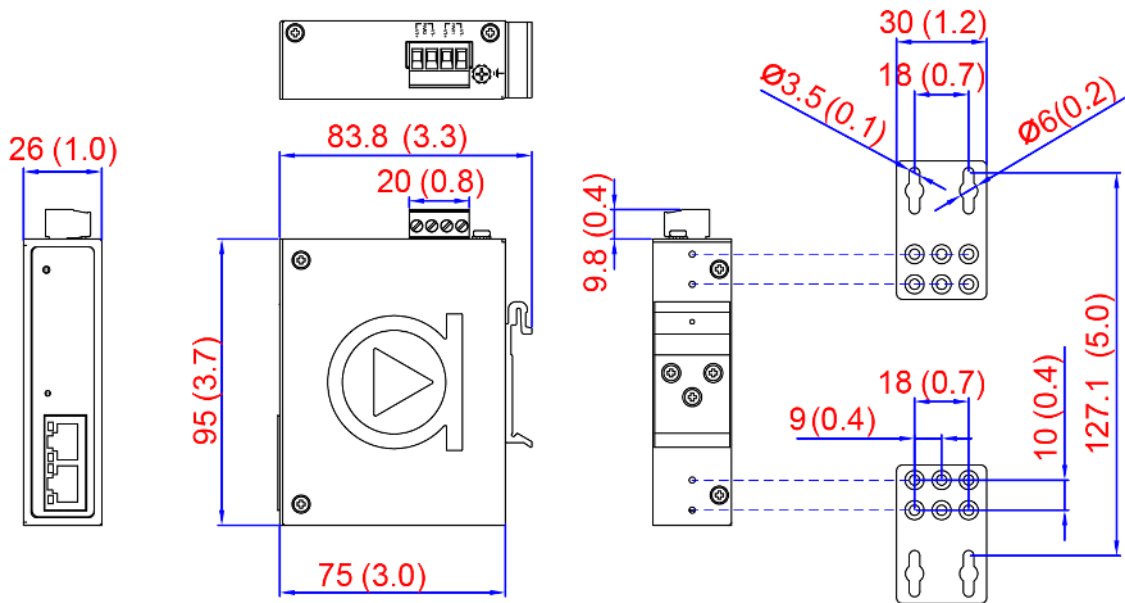
- ▶ Supports 10/100/1000Tx for PoE & Data Out
- ▶ IEEE 802.3bt Type 3 4PPoE Compliant
- ▶ Provide Data and Power over Ethernet to Power Device
- ▶ Provides up to 60 Watts on PoE Port
- ▶ Allows Power Input of 9~48VDC
- ▶ IP30 Protection
- ▶ Operating Temperature Range (– EOT): -40° to 75°C
- ▶ DIN-Rail or Wall Mountable
- ▶ 5-Year Warranty

INTRODUCTION

Antaira Technologies' INJ-0200G-60-24-T is an industrial high-power IEEE 802.3bt Type 3 Power over Ethernet (PoE) injector backwards compatible with previous IEEE 802.3af/at standards. By utilizing multiple pairs of pins on the RJ45 cable this industrial grade PoE injector is capable of providing up to 60 Watts of power to end devices. Each port supports 10/100/1000Tx for both power in and data out.

The INJ-0200G-60-24-T is IP30 rated, DIN-rail mountable, and supports an extended temperature of -40°C to 75°C, making it ideal for outdoor or harsh industrial applications.

DIMENSIONS



Unit: mm (inch)

Din-rail

Wall-mount

SPECIFICATIONS

Technology		Power Requirement	
Standards	IEEE 802.3 10BaseT Ethernet	Input Voltage	9~48VDC, Power Inputs
	IEEE 802.3u 100BaseTX Fast Ethernet	Power Connection	4-pin terminal block
	IEEE 802.3ab 1000BaseT(X)	Reverse Polarity Protection	Present
	IEEE 802.3af/at/bt Power over Ethernet	Overload Current Protection	Present
Switch Properties		Power Consumption	5Watts for system
Transfer Rate	14,880pps for Ethernet Port	PoE Power Output	60W max. per PoE port
	148,800pps for Fast Ethernet Port	Max. PoE Power Budget	60Watts
	1,488,000pps for Gigabit Ethernet Port	Environmental Limits	
Interface		Operating Temperature	EOT: -40°C ~ 75°C
Ethernet Port	2*10/100/1000BaseT(X)	Storage Temperature	-40°C ~ 85°C
	(1*Data IN, 1*PoE OUT)	Ambient Relative Humidity	5% to 95%, (non-condensing)
PoE Port Pin Assignment	V+ for pin 3, 4, 5, 6	Regulatory Approvals	
	V- for pin 1, 2, 7, 8	CE, FCC Class A	
LED Indicators	Power and PoE	EN61000-6-4, EN61000-6-2, EN61000-4-2 (ESD), EN61000-4-3 (RS), EN61000-4-4 (EFT), EN61000-4-5 (Surge), EN61000-4-6 (CS), EN61000-4-8 (Magnetic Field)	
Mechanical Characteristics		Free Fall	IEC60068-2-32
Housing	Metal, IP30 protection	Shock	IEC60068-2-27
Dimensions	26 x 95 x 75 mm (W x H x D)	Vibration	IEC60068-2-6
Weight	Unit: 0.60 lbs.	Green	RoHS Compliant
	Shipping: 1.0 lbs.	Certifications	FCC, CE, UL (Pending)
Mounting	DIN-Rail Mounting, Wall Mounting	Warranty	5 Years

ORDERING INFO

INJ-0200G-60-24-T Industrial IEEE 802.3bt Gigabit Type 3 4PPoE Injector; EOT: -40~75°C