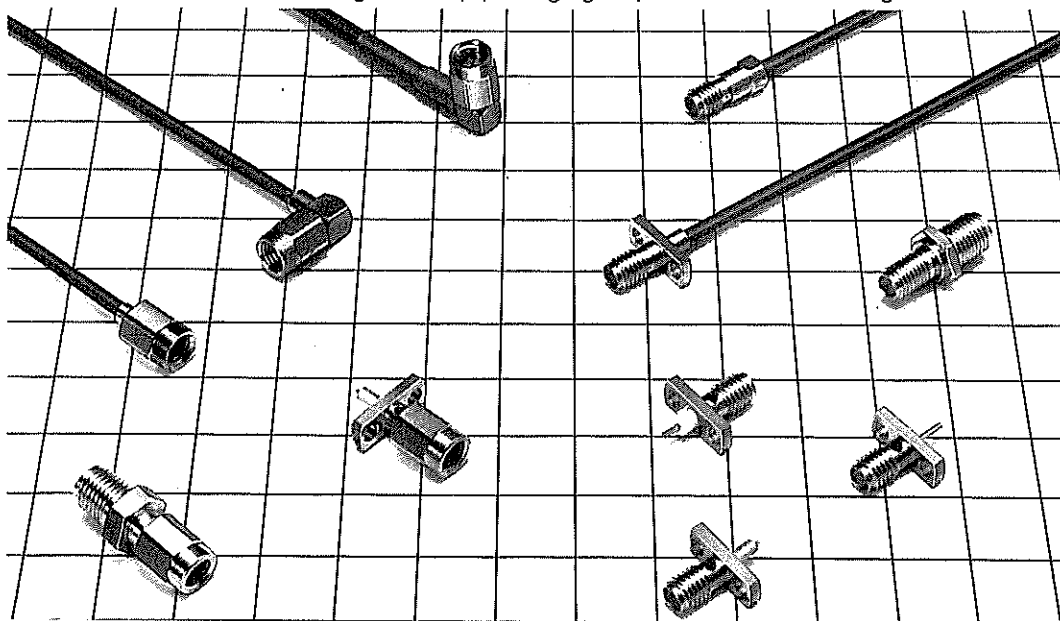


HRMM SERIES RF CO-AXIAL CONNECTORS

SSMA Connector HRMM Series

General

The HRMM series consists of SSMA connectors specified for MIL and IEC. Reduced in size to about 80% that of the HRM (SMA) microwave connectors, the HRMM series connectors are suitable for high-density packaging required for miniaturizing devices.



Features

- (1) Highly matching
Has excellent high-frequency performance up to 12.4 GHz as shown in the Table below. A model for flexible cables, however, has 1.2 or less V,S,W,R, for DC, 1 GHz.
- (2) Compact
Reduced in size to about 80% of the HRM (SMA) connectors, the HRMM series are compatible with high-density packaging to meet miniaturization requirements.

Applications

For the internal wiring of wire and wireless communication equipment, radar, and electronic measuring instruments.

Material/Finish

Part No.	Material	Finish
Shell	Stainless steel	Gold-plated
Insulator	Tetrafluoride resin	
Male terminal	Brass	Gold-plated
Female terminal	Beryllium copper	Gold-plated
Coupling	Stainless steel	Gold-plated
Rubber packing	Silicon rubber	
Crimp sleeve	Copper	Nickel-plated
Heat-shrinkable tubing	Polyolefin	

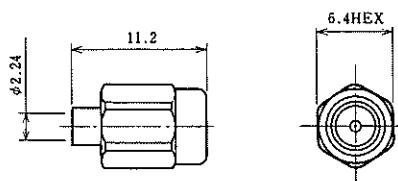
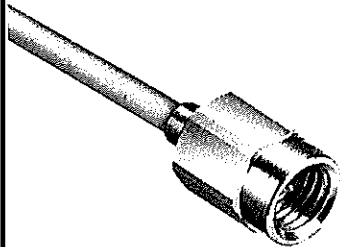
Performance

Item	Standard
Contact resistance	4m or less at both center and periphery at 1ADC
Insulation resistance	1000M or more at 500 VDC
Withstanding voltage	500VAC r.m.s. for 1 min.
Characteristic impedance	50 Ω
V.S.W.R.	<ul style="list-style-type: none"> • Connector for semi-rigid cables DC~12.4GHz 1.07+0.01f(f:GHz) Straight plug jack 1.10+0.02f(f:GHz) L-shaped plug • Connector for flexible cables, DC~1GHz : 1.2 or less • Receptacle, DC~12.4 GHz : 1.2 or less

Product guide

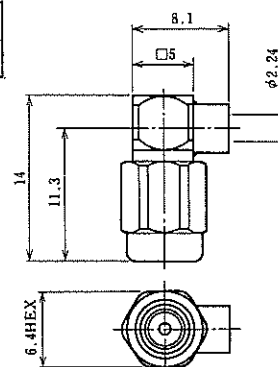
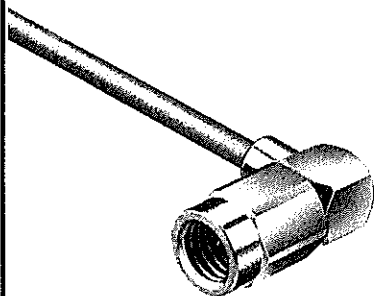
Connector for semi-rigid cables

HRS No.	Part No.	Applicable cable	Applicable connecting tool
CL333-0029-8-40	HRMM-101(40)	0.085-inch semi-rigid cable	HRMM-T-2 POD-T-2



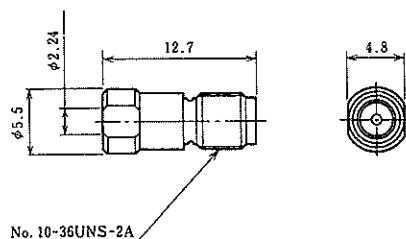
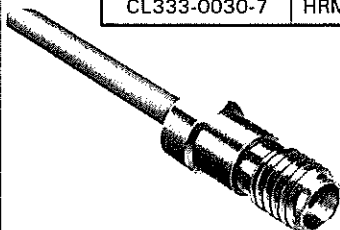
Straight plug

HRS No.	Part No.	Applicable cable	Applicable connecting tool
CL333-0057-3-40	HRMM-104-A(40)	0.085-inch semi-rigid cable	HRMM-T-2 PO6-T-2



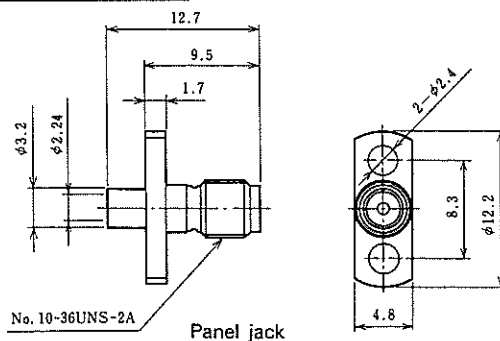
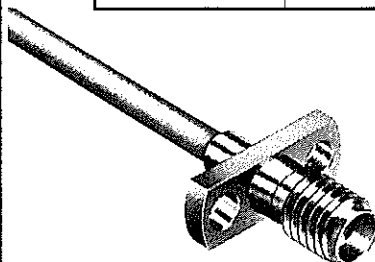
L-shaped plug

HRS No.	Part No.	Applicable cable	Applicable connecting tool
CL333-0030-7	HRMM-102-1	0.085-inch semi-rigid cable	HRMM-T-1 POD-T-2



Straight jack

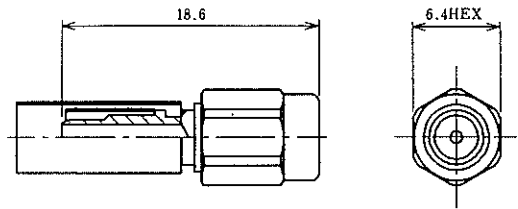
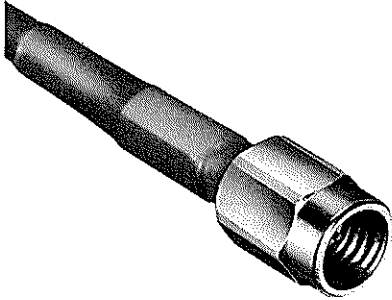
HRS No.	Part No.	Applicable cable	Applicable connecting tool
CL333-0008-8	HRMM-113-1	0.085-inch semi-rigid cable	HRMM-T-1 POD-T-2



Panel jack

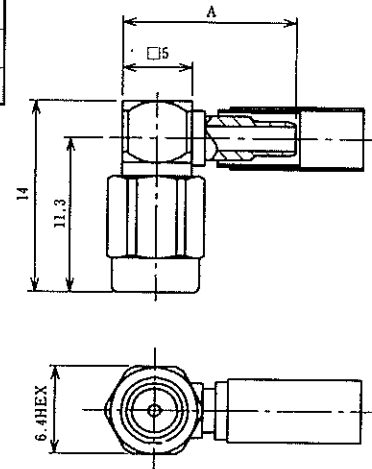
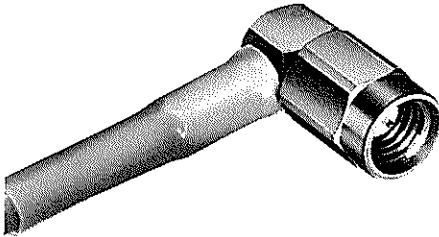
Connectors for flexible cables

HRS No.	Part No.	Applicable cable	Applicable connecting tool	
CL333-0009-0-40	HRMM-200-2-C(40)	1.5D-2V	HRMM-T-2	HT303/UM.MSS-T-1(ϕ 1.5)



Straight plug

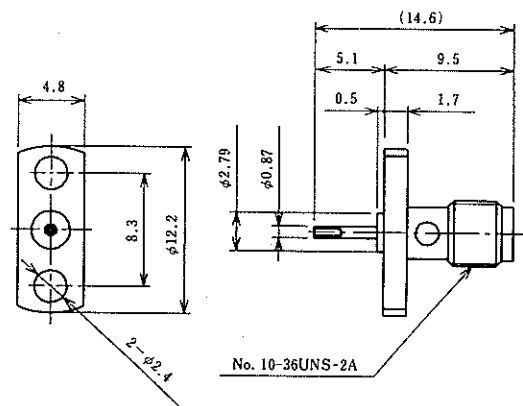
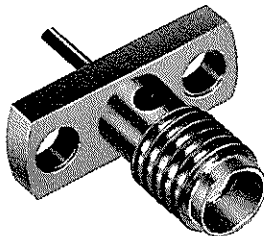
HRS No.	Part No.	Applicable cable	A Dimension	Applicable connecting tool	
CL333-0010-0-40	HRMM-208-1(40)	1.5D-2V	12.7	HT303/UM.MSS-T-1	PO6-T-2
CL333-0022-9-40	HRMM-208-2(40)	RG-196A/U	12.2	HT303/PO6-T-1	PO6-T-2



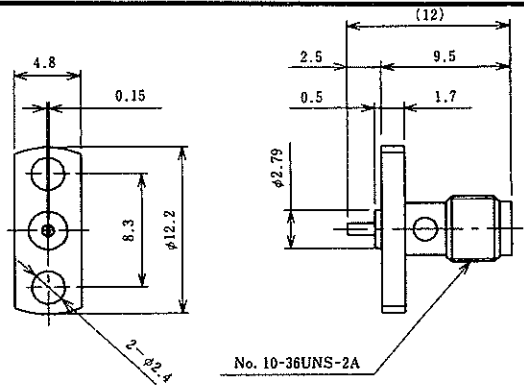
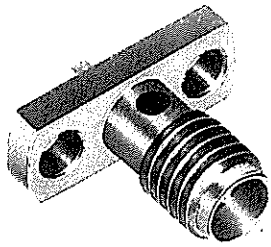
L-Shaped plug

Receptacles

HRS No.	Part No.	Terminal Shape
CL333-0015-3	HRMM-300-5E	Solder Terminal

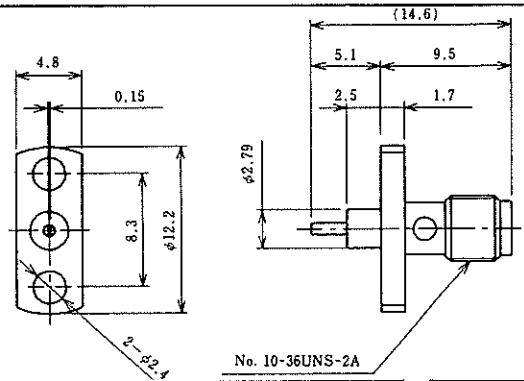
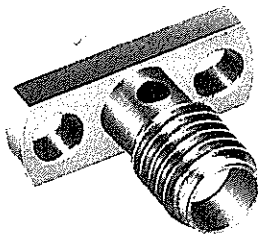


HRS No.	Part No.	Terminal Shape
CL333-0016-6	HRMM-300-6E	Tab Terminal



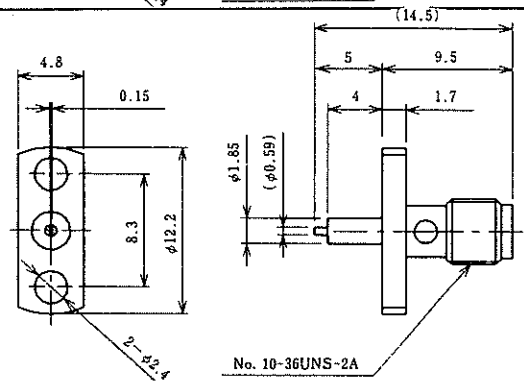
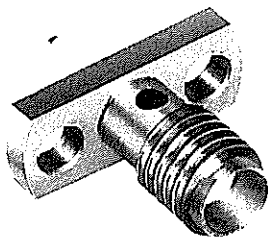
No. 10-36UNS-2A

HRS No.	Part No.	Terminal Shape
CL333-0017-9	HRMM-300-7E	Tab Terminal



No. 10-36UNS-2A

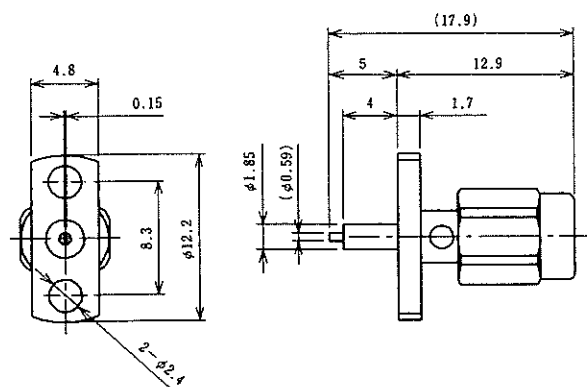
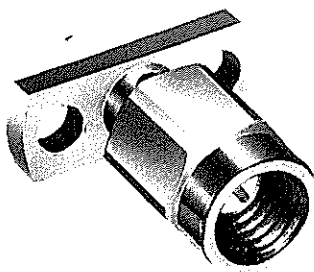
HRS No.	Part No.	Terminal Shape
CL333-0023-1	HRMM-300-11E	Tab Terminal



No. 10-36UNS-2A

Plug-Receptacles

HRS No.	Part No.	Terminal Shape
CL333-0026-0-40	HRMM-400-11E(40)	Solder Terminal



Connecting tool

Tool model	Description
HRMM-T-1	Female mating portion center contact positioning tool
HRMM-T-2	Male mating portion center contact positioning tool

HRS No.	Part No.
CL350-0102-1	HRMM-T-1

HRS No.	Part No.
CL350-0103-4	HRMM-T-2

