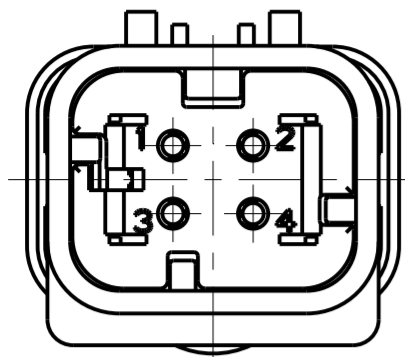
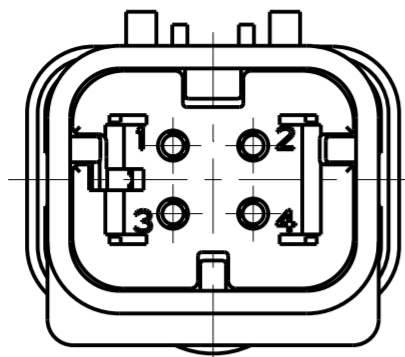


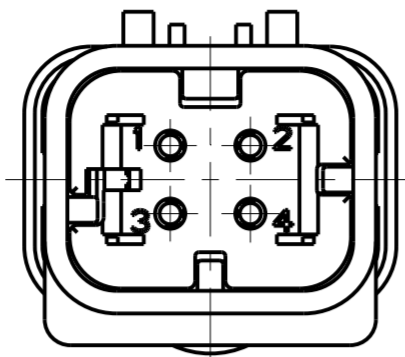
REVISIONS				
P	LTR	DESCRIPTION	DATE	APVD
C		REVISED PER ECR-10-020319	13OCT2010	HMR TM
D		REVISED PER ECR-14-000206	26DEC2013	PV RB



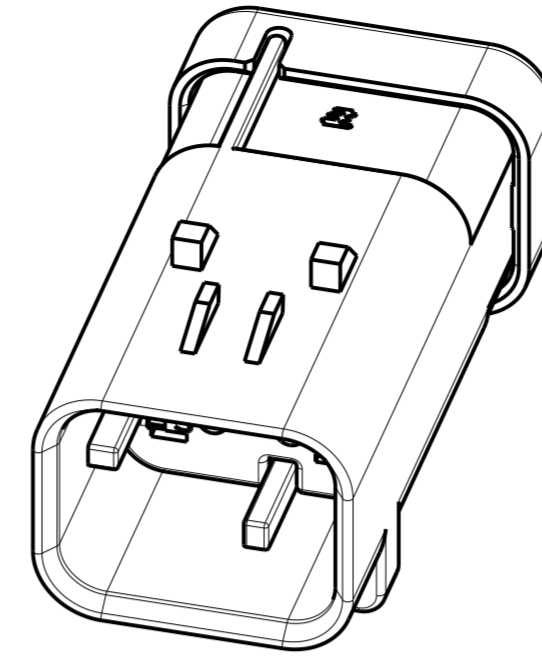
1717674-2
SCALE 2:1



1717674-3
SCALE 2:1



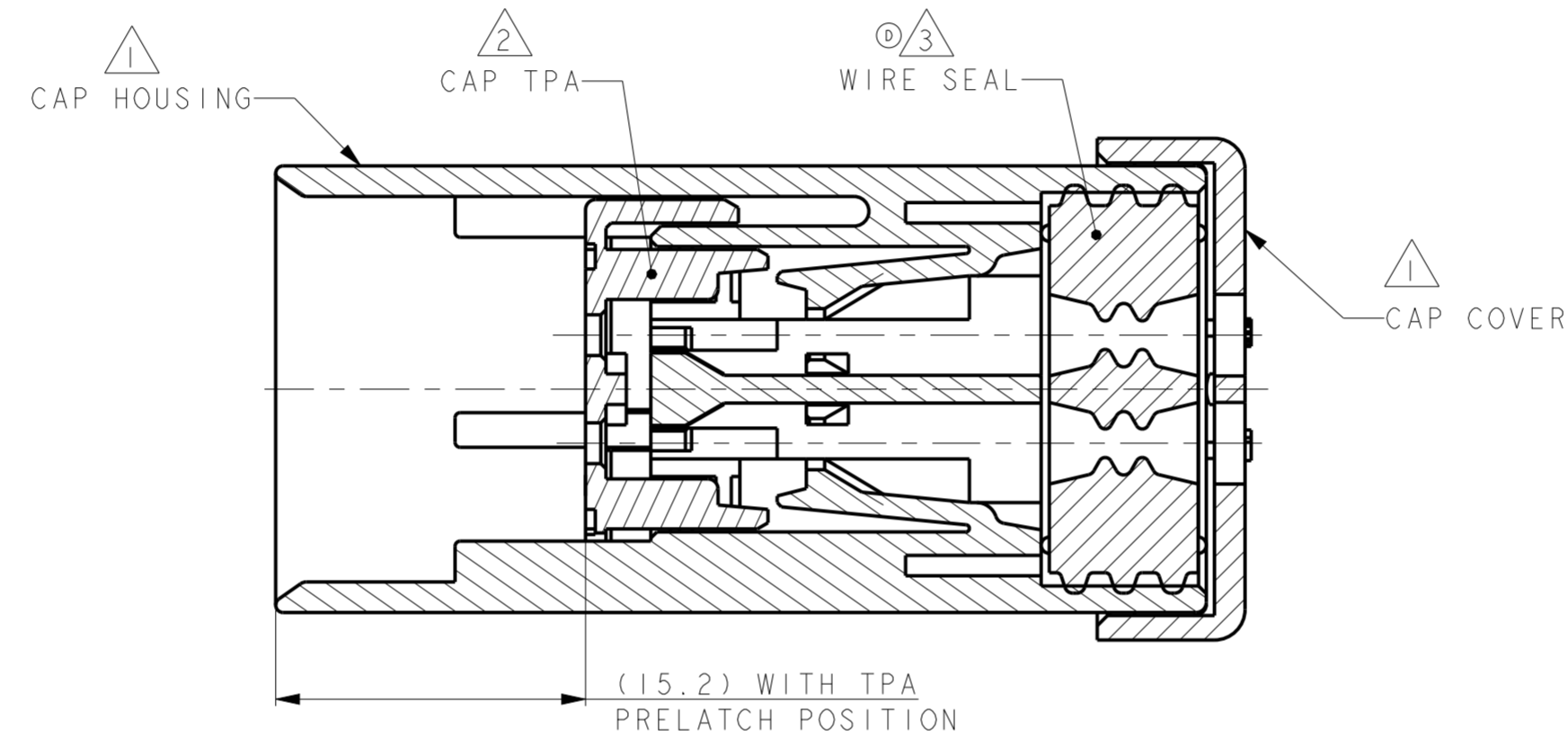
1717674-4
SCALE 2:1



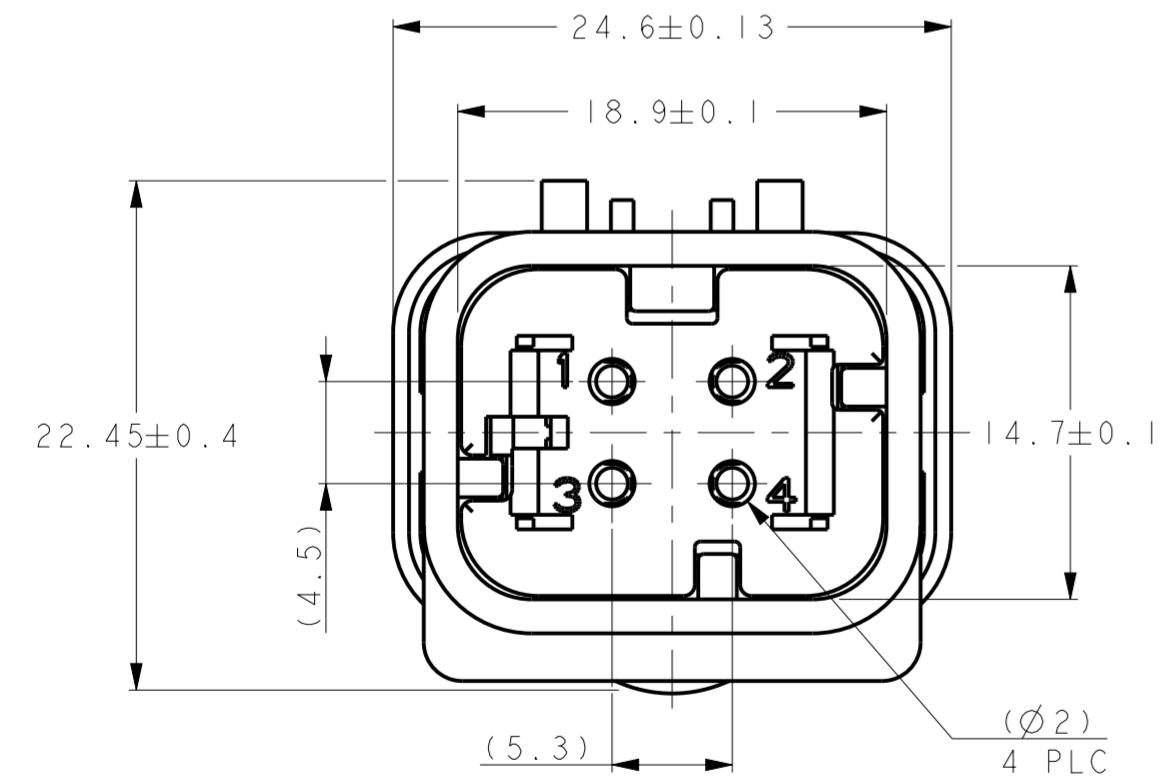
SCALE 2:1

- ① MATERIAL: 15% GLASS FILLED THERMOPLASTIC
COLOR: BLACK
- ② MATERIAL: 15% GLASS FILLED THERMOPLASTIC
COLOR: (SEE TABLE)
- ③ MATERIAL: SILICONE
COLOR: GREEN

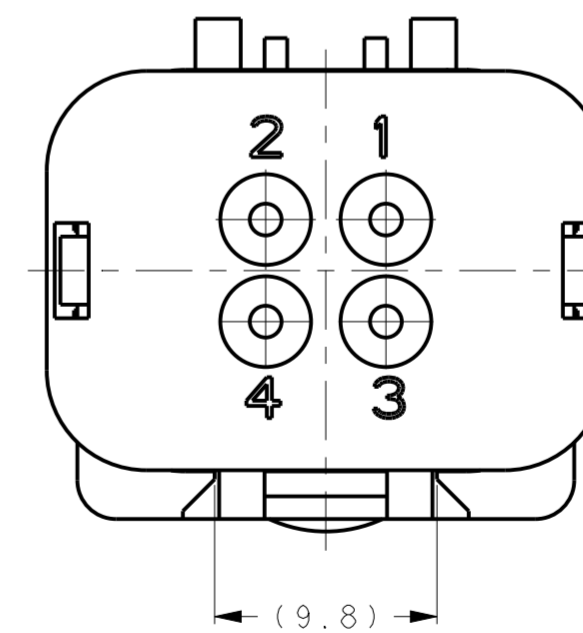
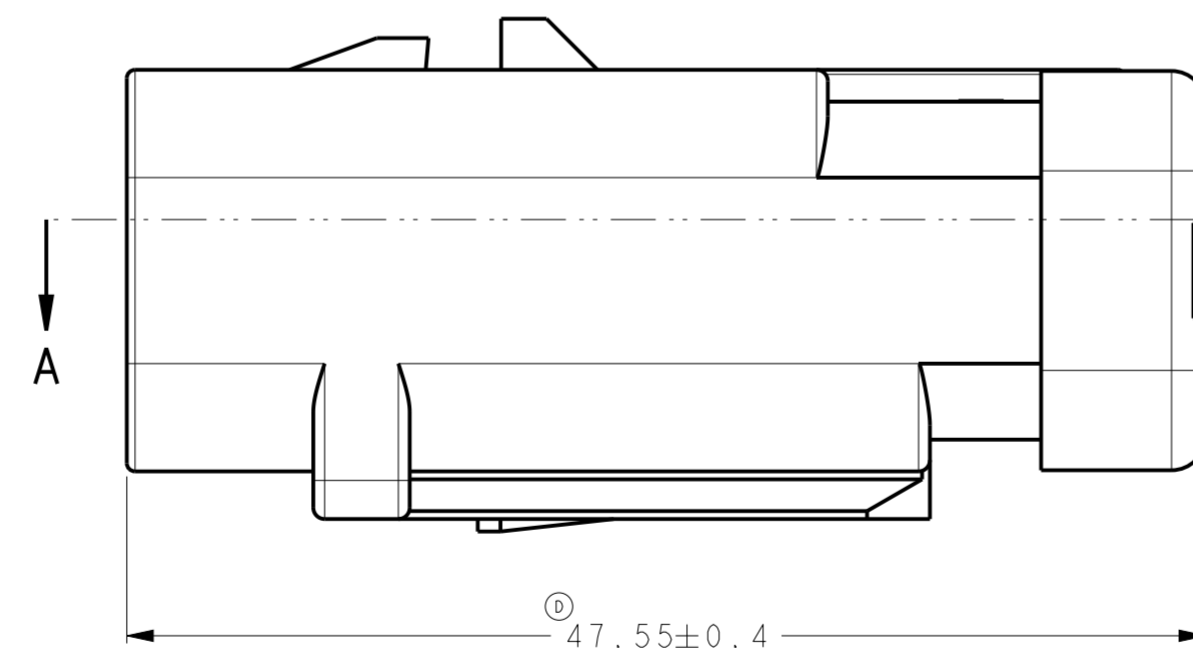
4. WIRE INSULATION RANGE: $\varnothing 2.24 \sim \varnothing 3.94$



A - A
OPEN POSITION



1717674-1 SHOWN



GREEN	1717674-4
YELLOW	1717674-3
GRAY	1717674-2
RED	1717674-1
TPA COLOR	PART NUMBER

THIS DRAWING IS A CONTROLLED DOCUMENT.

DWNS	Y. KATO	15JAN2004
CHK	S. MANABE	15JAN2004
APVD	S. MANABE	15JAN2004

STE TE Connectivity

NAME: CAP ASSY, 4 POS. BRACKET REVERSE TYPE AMP SEAL 16

PRODUCT SPEC	108-2184
APPLICATION SPEC	114-13065
WEIGHT	-

SIZE: A2 CAGE CODE: 0779 DRAWING NO: C-1717674 RESTRICTED TO: -

CUSTOMER DRAWING SCALE: 3:1 SHEET: 1 OF 1 REV: D