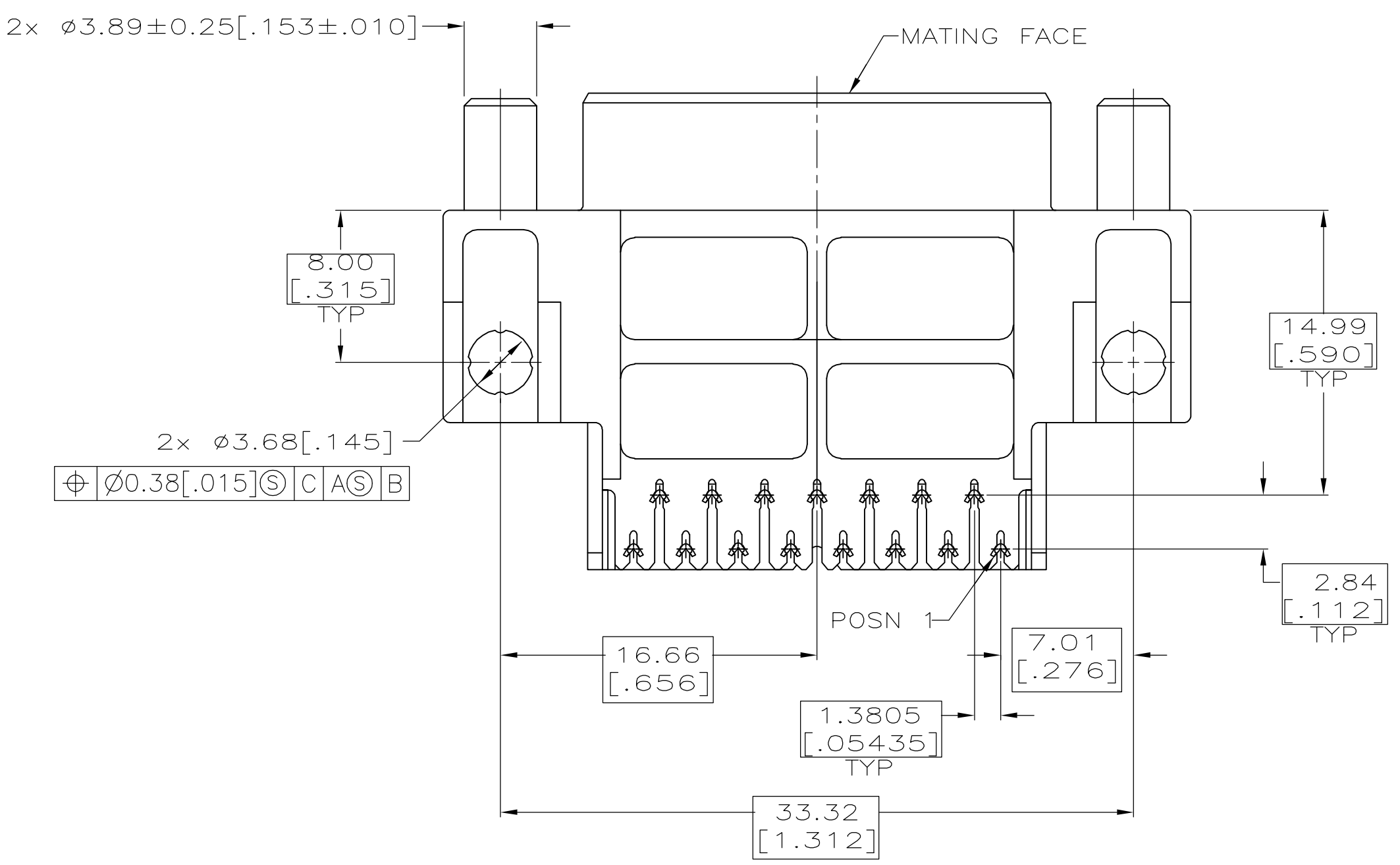
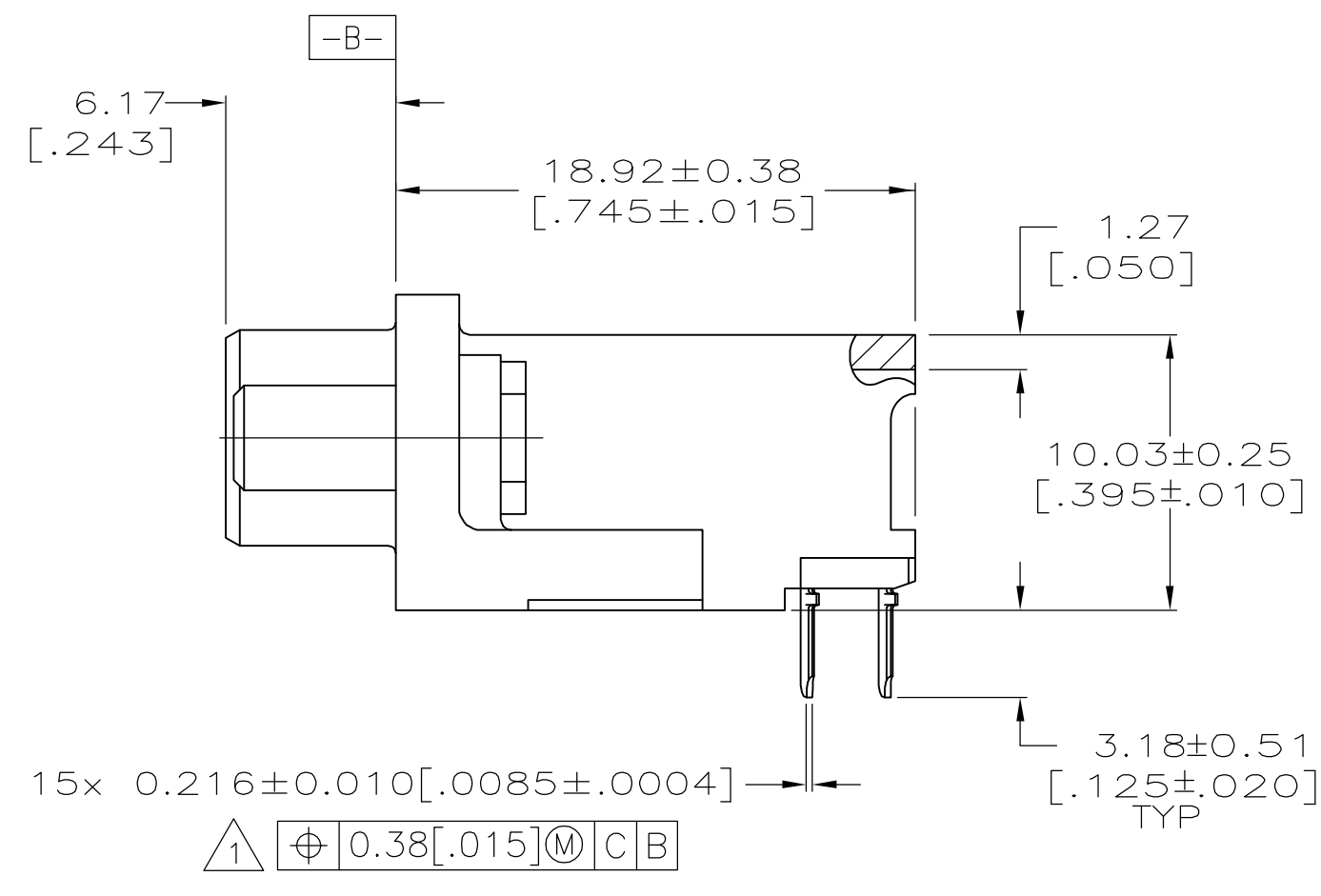
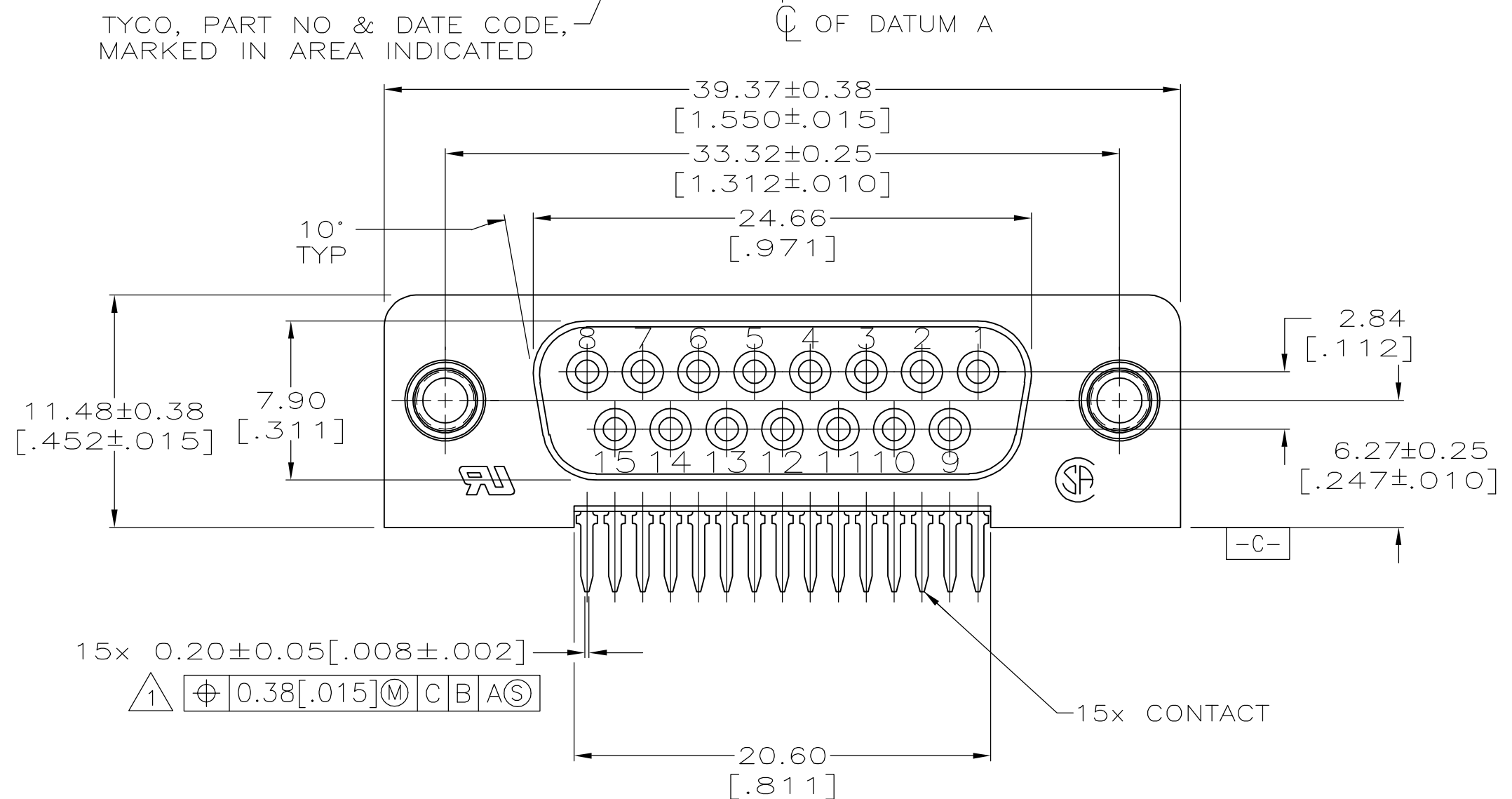


PC BOARD MOUNTING DIMENSIONS

- ⚠ POSITION TOLERANCE APPLIES AT TIP ONLY.
- ⚠ HOUSING: FLAME RETARDANT UL94V-0 RATED, GLASS FILLED NYLON OR POLYESTER, COLOR BLACK. CONTACTS: PHOSPHOR BRONZE. SCREWLOCKS: ZINC
- ⚠ CONTACTS: 0.76 μm [0.00030] MIN GOLD FOR A LENGTH OF 1.52 [0.060] MIN FROM MATING END, 2.54 μm [0.0001] MIN TIN FOR A LENGTH OF 3.68 [0.145] MIN FROM OPPOSITE END, BOTH OVER 1.27 μm [0.00050] MIN NICKEL. SCREWLOCKS: CLEAR CHROMATE COATING.



5748948-1
PART NO

**COPYRIGHT 2005
 TYCO ELECTRONICS CORP
 ALL RIGHTS RESERVED**

THIS DRAWING IS A CONTROLLED DOCUMENT.		DWN G. PETERS 21SEP05	21SEP05	Tyco Electronics Corporation Harrisburg, PA 17105-3608		
DIMENSIONS: mm [INCHES]		CHK S. BOLASH 21SEP05	21SEP05			
TOLERANCES UNLESS OTHERWISE SPECIFIED:		APVD M. WALMSLEY 21SEP05	21SEP05	NAME RECEPTACLE ASSEMBLY, SIZE 2, 15 POSN, ALL PLASTIC, RIGHT ANGLE, .590 SERIES, AMPLIMITE III		
0 PLC ± - 1 PLC ± - 2 PLC ± 0.13 [0.005] 3 PLC ± - 4 PLC ± - ANGLES ± 2		PRODUCT SPEC 108-1226	APPLICATION SPEC 114-40027			
MATERIAL	FINISH	WEIGHT	SIZE A1	CAGE CODE 00779	DRAWING NO C=5748948	RESTRICTED TO
CUSTOMER DRAWING		SCALE 4:1	SHEET 1	OF 1	REV 0	