

# POC-W181

## 18.5" Widescreen Point-of-Care Terminal with Intel® Core™ i7 Processor and Fanless Design



### Features

- 18.5" HD resolution TFT LCD with true flat bezel design
- Intel® Core™ i7-2610UE Processor (4M Cache, 1.5 GHz)
- Fanless and cable-free design with integrated line receiver
- UL60601-1/EN60601-1 third edition certified
- Isolated serial and LAN ports
- High reliability
- Optional Bluetooth, RFID, WLAN, smart card reader and back-up battery



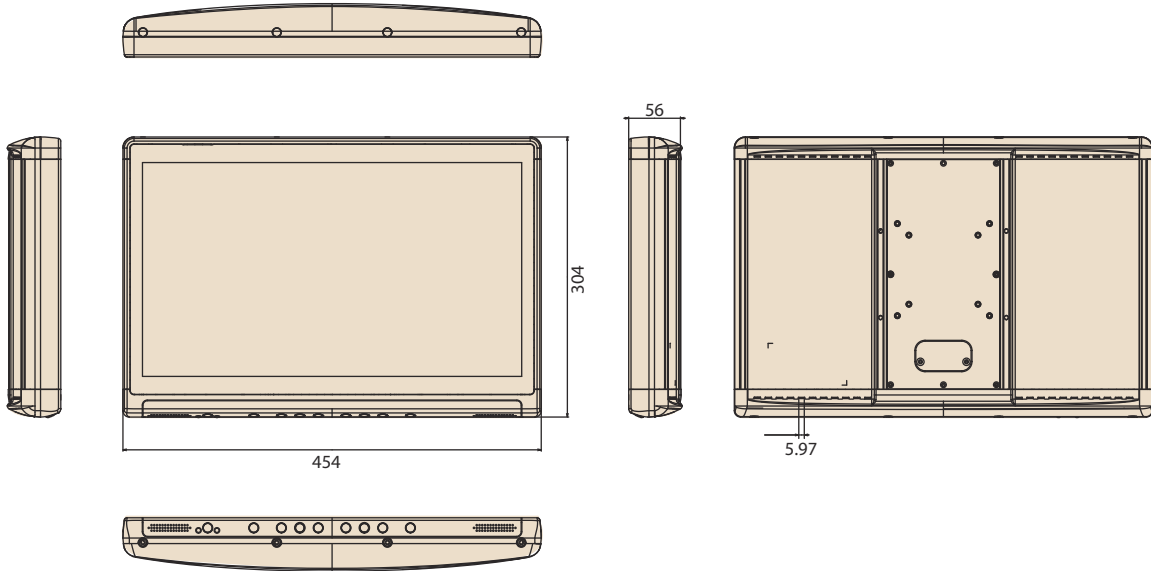
### Specifications

Computing System	Chipset	Intel QM67
	CPU	Intel Core i7-2610UE Processor (4 M Smart Cache, 1.5 GHz) Intel Core i3-2340UE Processor (3 M Smart Cache, 1.3 GHz)
	Memory	Up to 16GB DDR3 1333 Mhz SDRAM
Graphics	Controller	Intel HD Graphics 3000
Expansion Slot	PCI	1 x mini PCIe
Storage	HDD	1 x 2.5" SATA
Ethernet	Interface	2 x Gigabit Ethernet (isolated) interfaces (RJ-45)
I/O Ports		1 x RS-232 (isolated) and 1 x RS232/422/485 (isolated) serial port
		4 x USB 2.0 ports
		1 x DVI-I VGA port
		1 x DC-in Jack
Speakers		2 x 2W speakers
Display	Display Type	18.5" HD resolution LCD panel
	Max. Resolution	1366 x 768 (WXGA)
	Max. Colors	16.7M colors (RGB 6-bits + Hi-FRC)
	Dot Size (mm)	0.282 x 0.282
	Viewing Angle	170°/160°
	Luminance	300 cd/m <sup>2</sup>
	Contrast Ratio	1,000 : 1
Power Supply	LCD MTBF	50,000 hours
	DC Model	Universal AC/DC adapter (Sinpro Model no. HPU101-107)
	Input Voltage	90 ~ 260 V AC, 47 ~ 63 Hz, 1.35 ~ 0.5 A
Touchscreen	Output Voltage	+18 VDC, 5.55 A max. (100 watts)
	Type	Analog Resistive
	Resolution	Continuous
	Light Transmission	80%
	Controller	USB interface
Optional Functions	Durability	36 million touches
	Battery	3S2P 4200mAH, Support up to 3 hours 36min*
	Smart Card reader	Complies with ISO7816-1,2,3,T=1 and T=0 protocol
	WLAN	Integrated Wireless 802.11 a/b/g/n connection & internal antenna
	RFID	13.56 MHz with ISO-15693 & ISO-14443A/B and active tag function
Certifications	Bluetooth	Integrated Bluetooth v2.0 + EDR
		CE,FCC Class B approved UL60601-1,EN60601-1 approved
Environment	Temperature	0 ~ 40° C (32 ~ 104° F) (Operating)
	Humidity	10 ~ 95%@40° C (non-condensing)
	Shock Resistance	20G peak acceleration (11ms duration)
	Water/dust Resistance	IPX1 compliant
Physical Characteristics	Dimensions (W x H x D)	454 x 304 x 56 mm
	Weight	5.8 kg
Platform & Utilities		XP, Windows 7, SUSI

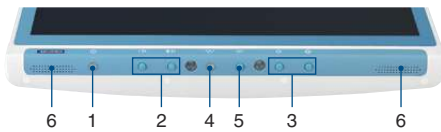
\* Test results by Passmark BatteryMon V2.1 with a minimum of peripherals connected

## Dimensions

Unit: mm



## Function Keys



- (1) Power Button
- (2) Volume Up/Down
- (3) Brightness Up/Down
- (4) Touch on/off
- (5) Read light on/off
- (6) Speaker

## Ordering Information

Part Number	CPU	DRAM	Touch Panel	HDD
POC-W181-A01D-ATE	i7-2610UE 1.5 GHz	4 GB	Resistive T/S	160GB or up
POC-W181-A11D-ATE	i7-2610UE 1.5 GHz	4 GB	Resistive T/S	24 x 7 160GB or Up

## Optional Modules

Part Number	Description
POC-W181-WF0E	Wireless kit (802.11a/b/g/n) for POC-W181
POC-W181-RF0E	RFID kit for POC-W181
POC-W181-BT0E	Bluetooth kit for POC-W181
POC-W181-BTTE	Battery module (4200mAh Li-ion battery) POC-W181
1960055938N001	BKT Vesa Mount Option-2 POC-W181 for AMiS Smart card reader kits *go with T-part by customer request

## I/O Ports



- (1) DC-in Jack
- (2) DVI-I
- (3) GigaBit isolated LAN 2
- (4) GigaBit isolated LAN 1
- (5) COM 1 isolated
- (6) COM 2 isolated
- (7) USB x 4



Cable-free Design Ensures Infection Control